

ROME-1 PLANAR (M9/KINNERETH-R/WO-ACC BASE)

	DATE	EC NO.	PART NO.	
REL	11/21/03	J45843A	13R1088	
			DEVELOPMENT NO.	Q/M
				1 /82

VER 0.99 NOV/21/2003

- | | |
|---|---|
| <ul style="list-style-type: none"> 1. TITLE PAGE 2. EC HISTORY 3. CPU(1/3) 4. CPU(2/3) 5. CPU(3/3) 6. ITP CONN 7. VCCCPUCORE DECOUPLING 8. MCH-M(1/4) 9. MCH-M(2/4) 10. MCH-M(3/4) 11. MCH-M(4/4) 12. DDR SO DIMM CONNECTOR 0 13. DDR SO DIMM CONNECTOR 1 14. SSTL-2 TERMINATION 15. SSTL-2 DECOUPLING 16. CLOCK GEN(CK-TITAN) 17. RADEON M9_CSP (1/7) 18. RADEON M9_CSP (2/7) 19. RADEON M9_CSP (3/7) 20. RADEON M9_CSP (4/7) 21. RADEON M9_CSP (5/7) 22. RADEON M9_CSP(6/7)(7/7) 23. < BLANK > 24. LCD CONNECTOR 25. ICH4-M(1/3) 26. ICH4-M(2/3) 27. ICH4-M(3/3) 28. HDD I/F CONNECTOR 29. CLEAN SHEET BAY 30. USB POWER 31. AUDIO AD1981A 32. AUDIO MISC 33. AUDIO INT MIC 34. AUDIO HP & LINE IN CONN 35. AUDIO EXT MIC CONN 36. AUDIO SPEAKER 37. AUDIO HDP AMP AN12942A(1/2) 38. AUDIO HDP AMP AN12942A(2/2) 39. CDC CONNECTOR 40. CARD BUS PCI1620(1/2) 41. CARD BUS PCI1620(2/2) 42. CARD BUS POWER CTRL 43. CARD BUS SLOT | <ul style="list-style-type: none"> 44. EMC DECOUPLING 45. MINI PCI SLOT 46. PCI BUS SWITCH 47. DOCKING CONNECTOR 48. FWH,RTC BATTERY 49. H8S/2169A 50. KEYBOARD CONNECTOR 51. TOUCH PAD CONNECTOR 52. MISC G/A (PMH-2) 53. DC-DC VCCCPUCORE DECAP 54. SUPER I/O PC87392 55. SERIAL INTERFACE 56. EXT CRT INTERFACE 57. TV-OUT 58. PARALLELL INTERFACE 59. THERMAL SENSOR 60. I2CBUS/SMBUS/CRYPT 61. FAN CONTROL 62. DC-IN AND CHARGER 63. CHARGE SELECTOR 64. BATTERY INPUT 65. BATTERY MONITOR 66. POWER SEQUENCE 67. DC-DC VCC3M/VCC5M(MAX1631) 68. DC-DC VCCCPUCORE (ADP3205) 69. DC-DC VCC1R2M/VCCCPUIO(MAX1845) 70. DC-DC VCC2R5A/VCC1R25B(MAX1845) 71. DC-DC VCC1R8M/VCCVIDEOCORE(MAX1844) 72. VCC1R5M/A/B/AUX 73. TSURUMAI 74. GIGABIT ETHER LOAD SW 75. LOAD SW 76. GIGABIT ETHERNET (1/3) 77. GIGABIT ETHERNET (2/3) 78. GIGABIT ETHERNET (3/3) 79. IR MODULE / LARGE PTH HOLE 80. USB INTERFACE 81. RJ11/RJ45 CONNECTOR 82. G-SENSOR |
|---|---|

13R1088

DESIGNER	Y.I	11/21/03	PART NO.	IBM
CHECKED	Y.Y	11/21/03	13R1088	
APPROVED	K.T	11/21/03	TITLE ROME-1 RWK(V099)	
CLASS	K.T	11/21/03	TITLE PAGE	
<small>THIS DOCUMENT IS THE PROPERTY OF IBM ITS USE IS AUTHORIZED ONLY FOR RESPONDING TO A REQUEST FOR QUOTATION OR FOR THE PERFORMANCE OF WORK FOR IBM. ALL QUESTIONS MUST BE REFERRED TO THE IBM PURCHASING DEPARTMENT.</small>				IBM CONFIDENTIAL

EC HISTORY

	DATE	EC NO.	PART NO.
REL	11/21/03	J45843A	13R1088
			DEVELOPMENT NO.
			Q/M
			2 /82

SIV

VER.0.53 08/12/2002 APPLY RM_EC_SIV14
 VER.0.54 08/13/2002 APPLY RM_EC_SIV15
 SIV GERBER RELEASE (08/15/2002)
 VER.0.55 08/21/2002 APPLY RM_EC_SIV16(G-SENSOR)
 VER.0.56 08/29/2002 APPLY RM_EC_SIV17/18(VBL16/CHARGER/TSURUMAI)
 VER.0.57 09/02/2002 APPLY RM_EC_SIV19(PMH4)

VER.0.99 11/21/2003 APPLY APL-AEC-38 (CHANGE Q107 TO D2000) PAGE 29

SIT

VER.0.58 09/18/2002 APPLY RM_EC_SIT01
 VER.0.59 09/24/2002 APPLY RM_EC_SIT02
 VER.0.60 09/27/2002 APPLY RM_EC_SIT03/04
 VER.0.61 09/30/2002 APPLY RM_EC_SIT05
 VER.0.62 10/01/2002 APPLY RM_EC_SIT06
 VER.0.63 10/02/2002 APPLY RM_EC_SIT07
 VER.0.64 10/03/2002 APPLY RM_EC_SIT08
 VER.0.65 10/04/2002 APPLY RM_EC_SIT09
 VER.0.66 10/08/2002 APPLY RM_EC_SIT10(W/O L9/L19 CHANGE)
 VER.0.67 10/09/2002 APPLY RM_EC_SIT11
 VER.0.68 10/11/2002 APPLY RM_EC_SIT12
 VER.0.69 10/15/2002 APPLY RM_EC_SIT13
 VER.0.70 10/16/2002 APPLY RM_EC_SIT14
 VER.0.71 10/16/2002 APPLY RM_EC_SIT15
 SIT GERBER RELEASE (10/17/2002)
 VER.0.72 10/22/2002 APPLY RM_EC_SIT16
 VER.0.73 10/25/2002 APPLY RM_EC_SIT17

MODIFICATION FOR M10

VER.0.74 10/28/2002 APPLY RM_EC_M10_01
 VER.0.75 10/29/2002 APPLY RM_EC_M10_02
 VER.0.76 10/30/2002 APPLY RM_EC_M10_03
 VER.0.77 10/31/2002 APPLY RM_EC_M10_04
 VER.0.78 10/31/2002 APPLY RM_EC_M10_05

SIT-M10 GERBER RELEASE (11/06/2002)

SVT

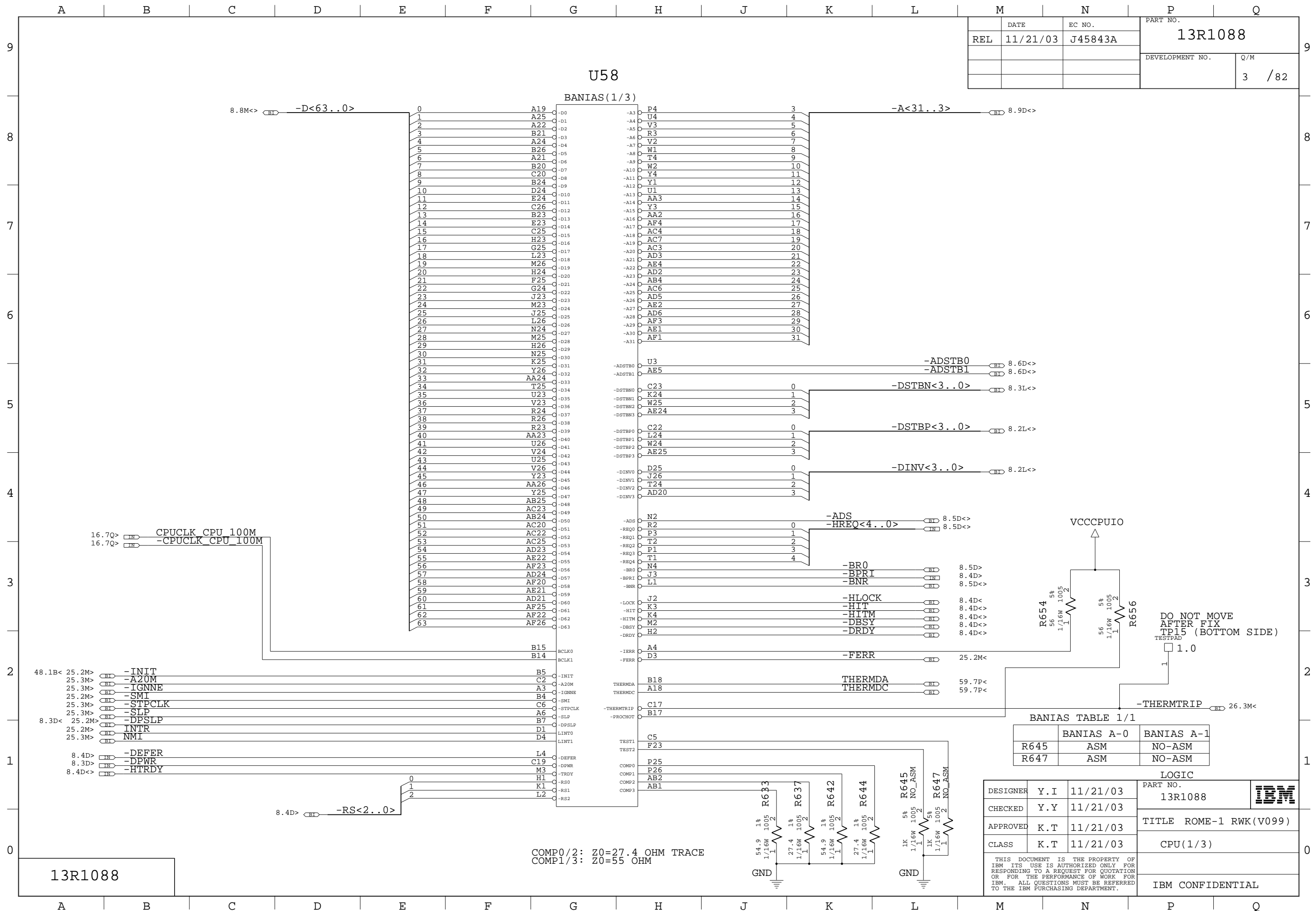
VER.0.79 11/27/2002 APPLY RM_EC_SVT001
 VER.0.80 12/03/2002 APPLY RM_EC_SVT002
 VER.0.81 12/06/2002 APPLY RM_EC_SVT003
 VER.0.82 12/09/2002 MOVED TP17/18 AND MODIFIED COMMENTS
 VER.0.83 12/11/2002 APPLY RM_EC_SVT004
 VER.0.84 12/11/2002 APPLY RM_EC_SVT005
 VER.0.85 12/12/2002 CHANGE C26/C221/C194 TO 3225(H2.1MM)

SVT GERBER RELEASE (12/12/2002)

VER.0.86 12/16/2002 CHANGE C378/C820/C821/C822/C914/C916/Q59 TO ASM.
 VER.0.87 12/20/2002 APPLY RM1-AEC-003 (DELETE ACCELEROMETER)
 VER.0.88 01/07/2003 APPLY RM1-AEC-004 (CHANGE R120 FROM 10K TO 100K.)
 VER.0.89 01/15/2003 APPLY RM1-AEC-005/006/007
 VER.0.90 01/23/2003 APPLY RM1-AEC-009/010
 VER.0.91 02/10/2003 APPLY RM1-AEC-013
 VER.0.92 03/03/2003 APPLY RM1-AEC-018A
 VER.0.93 03/26/2003 APPLY RM1-AEC-021
 VER.0.94 04/07/2003 APPLY RM1-AEC-022
 VER.0.95 04/16/2003 VER.95 IS USED FOR SEMTECH REWORK
 VER.0.96 04/16/2003 APPLY AEC-J17959 (ADD 2 SEMTECH DIODE EMBED)
 SVT EMBED GERBER RELEASE (04/18/2003)
 VER.0.97 05/19/2003 APPLY AEC-J24314(CHANGE R132 1K TO 0 OHM)
 VER.0.98 11/06/2003 APPLY EC-J46090(CHANGE AUDIO AMP U22/C65/R881)

DESIGNER	Y.I	11/21/03	PART NO.	IBM
CHECKED	Y.Y	11/21/03	13R1088	
APPROVED	K.T	11/21/03	TITLE ROME-1 RWK(V099)	
CLASS	K.T	11/21/03	HISTORY	
THIS DOCUMENT IS THE PROPERTY OF IBM ITS USE IS AUTHORIZED ONLY FOR RESPONDING TO A REQUEST FOR QUOTATION OR FOR THE PERFORMANCE OF WORK FOR IBM. ALL QUESTIONS MUST BE REFERRED TO THE IBM PURCHASING DEPARTMENT.				IBM CONFIDENTIAL

13R1088



REL	DATE	EC NO.	PART NO.
	11/21/03	J45843A	13R1088
			DEVELOPMENT NO.
			Q/M
			3 / 82

U58

BANIAS(1/3)

COMP0/2: Z0=27.4 OHM TRACE
COMP1/3: Z0=55 OHM

BANIAS TABLE 1/1

	BANIAS A-0	BANIAS A-1
R645	ASM	NO-ASM
R647	ASM	NO-ASM

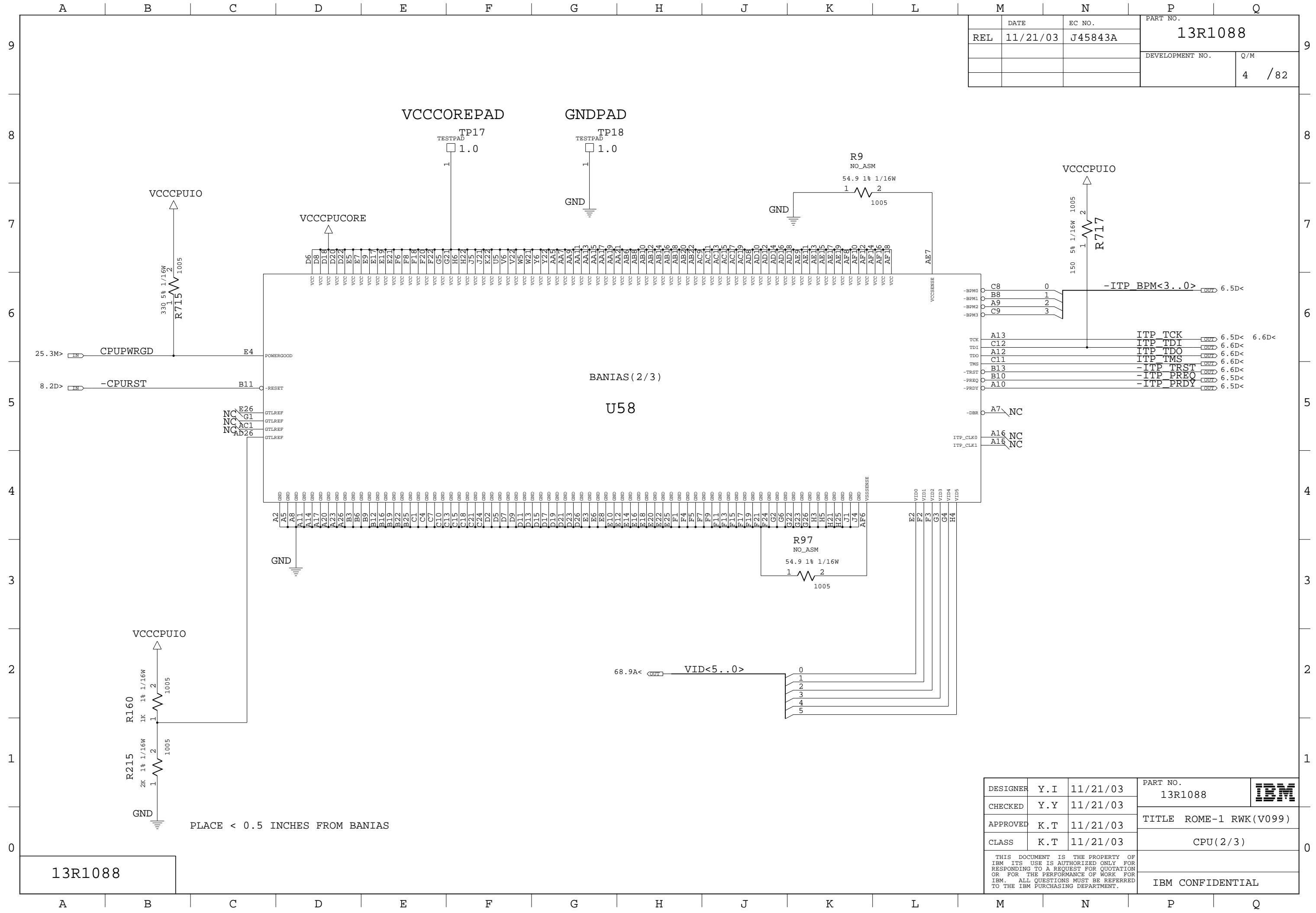
DO NOT MOVE AFTER FIX
TP15 (BOTTOM SIDE)
TESTPAD
1.0

DESIGNER	Y.I	11/21/03	PART NO.	13R1088	
CHECKED	Y.Y	11/21/03	TITLE ROME-1 RWK(V099)		
APPROVED	K.T	11/21/03	CPU(1/3)		
CLASS	K.T	11/21/03	IBM CONFIDENTIAL		

THIS DOCUMENT IS THE PROPERTY OF IBM ITS USE IS AUTHORIZED ONLY FOR RESPONDING TO A REQUEST FOR QUOTATION OR FOR THE PERFORMANCE OF WORK FOR IBM. ALL QUESTIONS MUST BE REFERRED TO THE IBM PURCHASING DEPARTMENT.

13R1088

	DATE	EC NO.	PART NO.	
REL	11/21/03	J45843A	13R1088	
			DEVELOPMENT NO.	Q/M
			4	/82

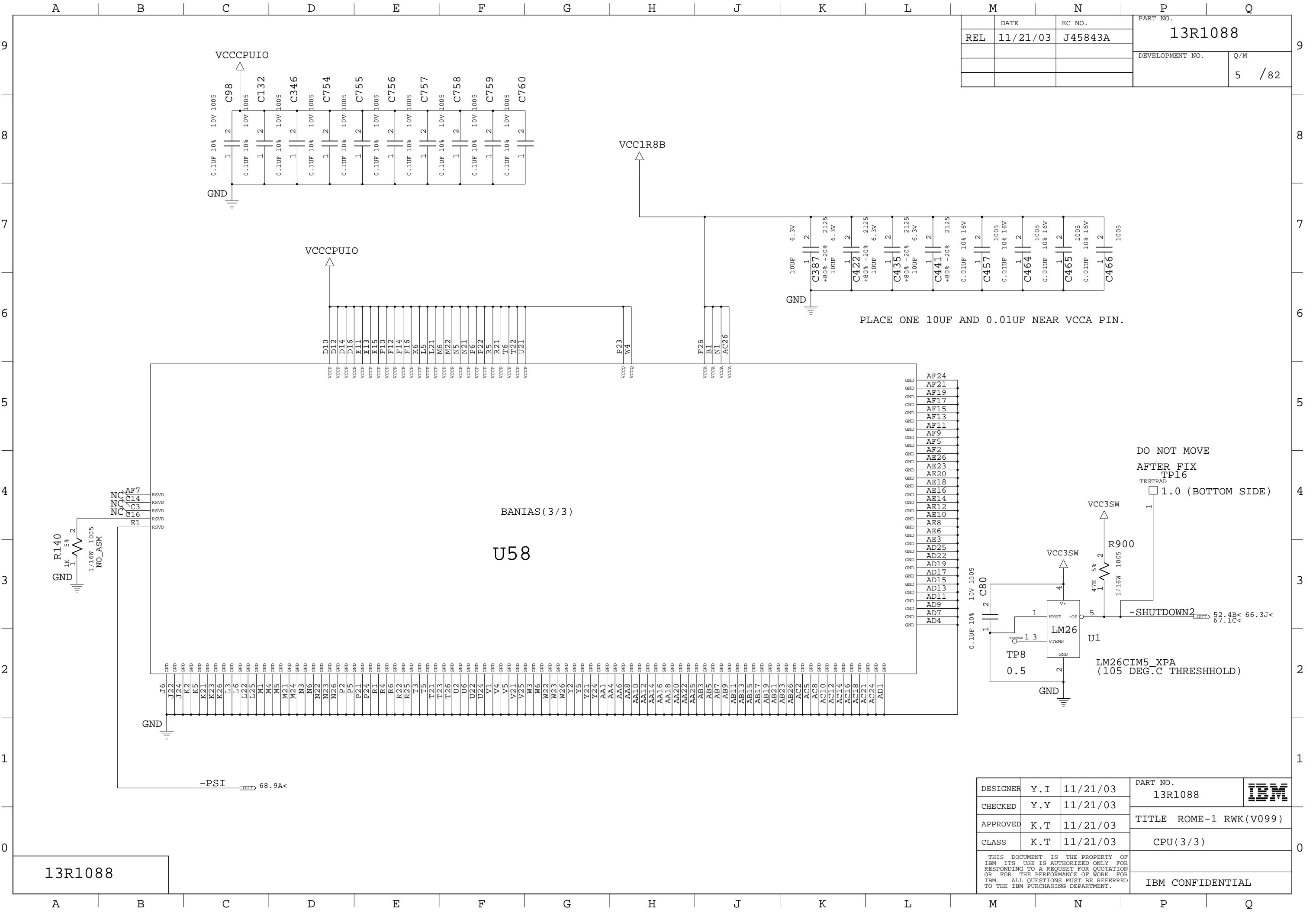


PLACE < 0.5 INCHES FROM BANIAS

13R1088

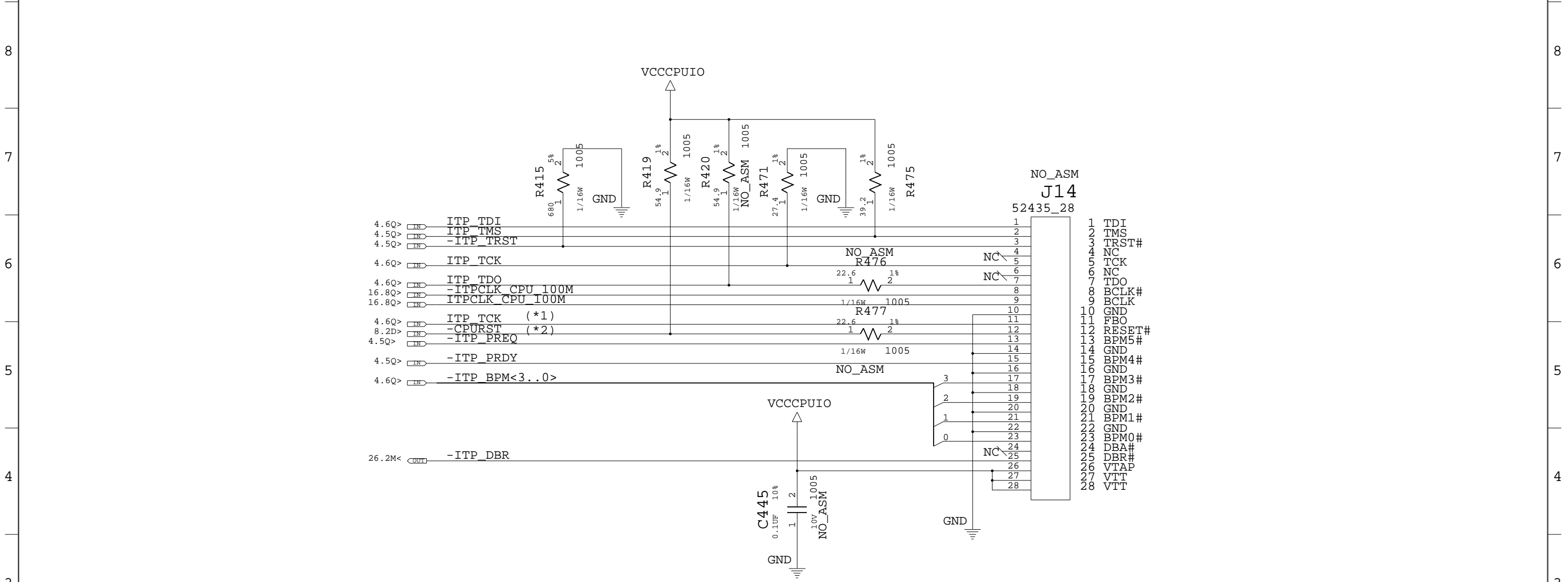
DESIGNER	Y.I	11/21/03	PART NO.	13R1088	
CHECKED	Y.Y	11/21/03			
APPROVED	K.T	11/21/03	TITLE ROME-1 RWK(V099)		
CLASS	K.T	11/21/03	CPU(2/3)		
THIS DOCUMENT IS THE PROPERTY OF IBM ITS USE IS AUTHORIZED ONLY FOR RESPONDING TO A REQUEST FOR QUOTATION OR FOR THE PERFORMANCE OF WORK FOR IBM. ALL QUESTIONS MUST BE REFERRED TO THE IBM PURCHASING DEPARTMENT.					IBM CONFIDENTIAL

REL	DATE	EC NO.	PART NO.
	11/21/03	J45843A	13R1088
			DEVELOPMENT NO.
			Q/M
			5 / 82



13R1088

DESIGNER	Y.I	11/21/03	PART NO.	13R1088	
CHECKED	Y.Y	11/21/03	TITLE		
APPROVED	K.T	11/21/03	CLASS	CPU(3/3)	
THIS DOCUMENT IS THE PROPERTY OF IBM. ITS USE IS AUTHORIZED ONLY FOR RESPONDING TO A REQUEST FOR QUOTATION OR FOR THE PERFORMANCE OF WORK FOR IBM. ALL QUESTIONS MUST BE REFERRED TO THE IBM PURCHASING DEPARTMENT.				IBM CONFIDENTIAL	



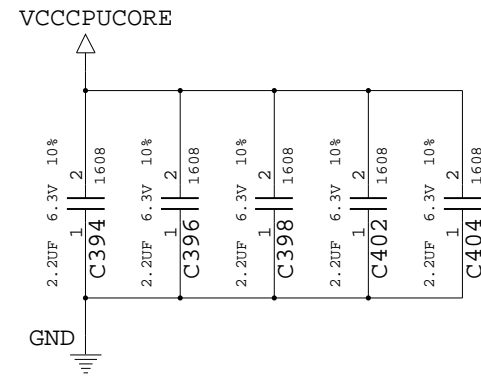
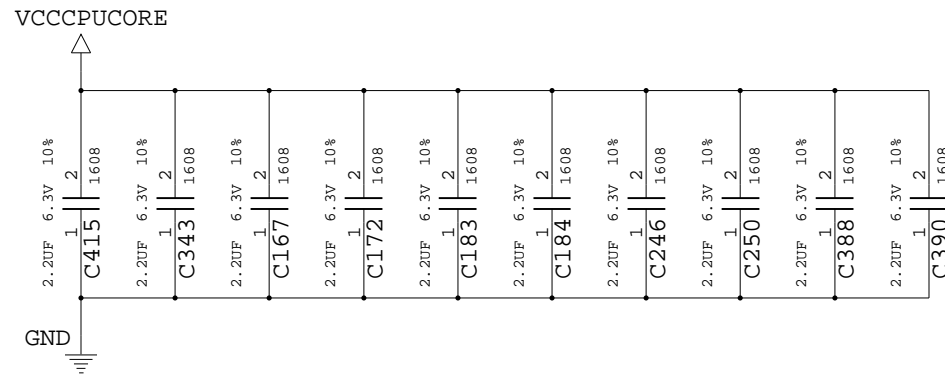
(*1) TCK SIGNAL IS BRANCHED AT BANIAS PIN

(*2) -CPURST SIGNAL IS BRANCHED AT ODEM PIN

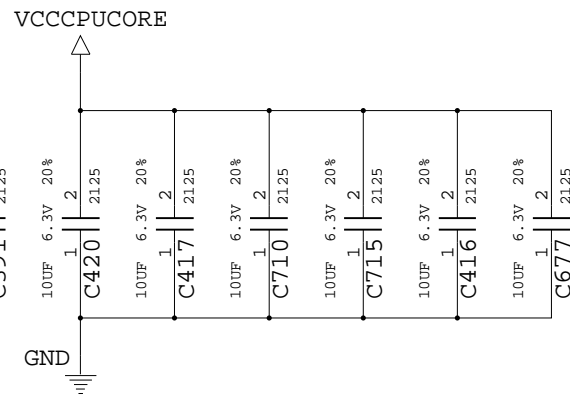
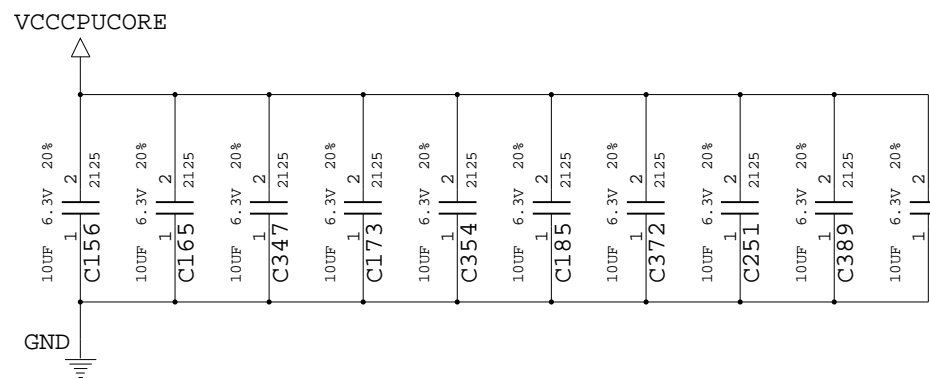
13R1088

DESIGNER	Y. I	11/21/03	PART NO.	13R1088	
CHECKED	Y. Y	11/21/03	TITLE ROME-1 RWK(V099)		
APPROVED	K. T	11/21/03	ITP CONN		
CLASS	K. T	11/21/03	IBM CONFIDENTIAL		
THIS DOCUMENT IS THE PROPERTY OF IBM. ITS USE IS AUTHORIZED ONLY FOR RESPONDING TO A REQUEST FOR QUOTATION OR FOR THE PERFORMANCE OF WORK FOR IBM. ALL QUESTIONS MUST BE REFERRED TO THE IBM PURCHASING DEPARTMENT.					

	DATE	EC NO.	PART NO.	
REL	11/21/03	J45843A	13R1088	
			DEVELOPMENT NO.	Q/M
				7 / 82



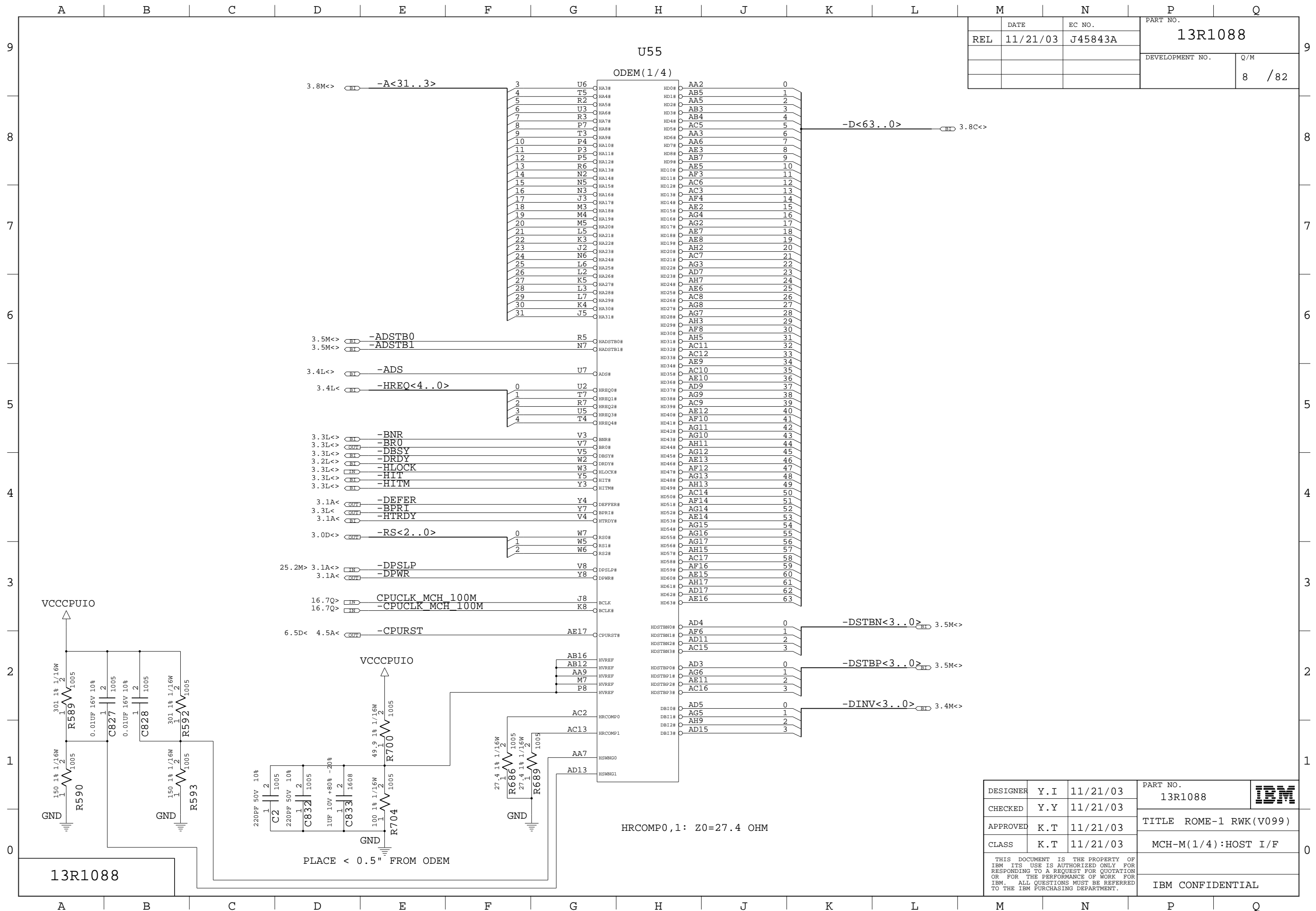
2.2UF X5R 1608 1/16W X15PCS



10UF X5R 2125 1/16W X16PCS

13R1088

DESIGNER	Y.I	11/21/03	PART NO.	13R1088	
CHECKED	Y.Y	11/21/03			
APPROVED	K.T	11/21/03	TITLE ROME-1 RWK(V099)		
CLASS	K.T	11/21/03	VCCCPUCORE DECOUPLING		
THIS DOCUMENT IS THE PROPERTY OF IBM. ITS USE IS AUTHORIZED ONLY FOR RESPONDING TO A REQUEST FOR QUOTATION OR FOR THE PERFORMANCE OF WORK FOR IBM. ALL QUESTIONS MUST BE REFERRED TO THE IBM PURCHASING DEPARTMENT.				IBM CONFIDENTIAL	

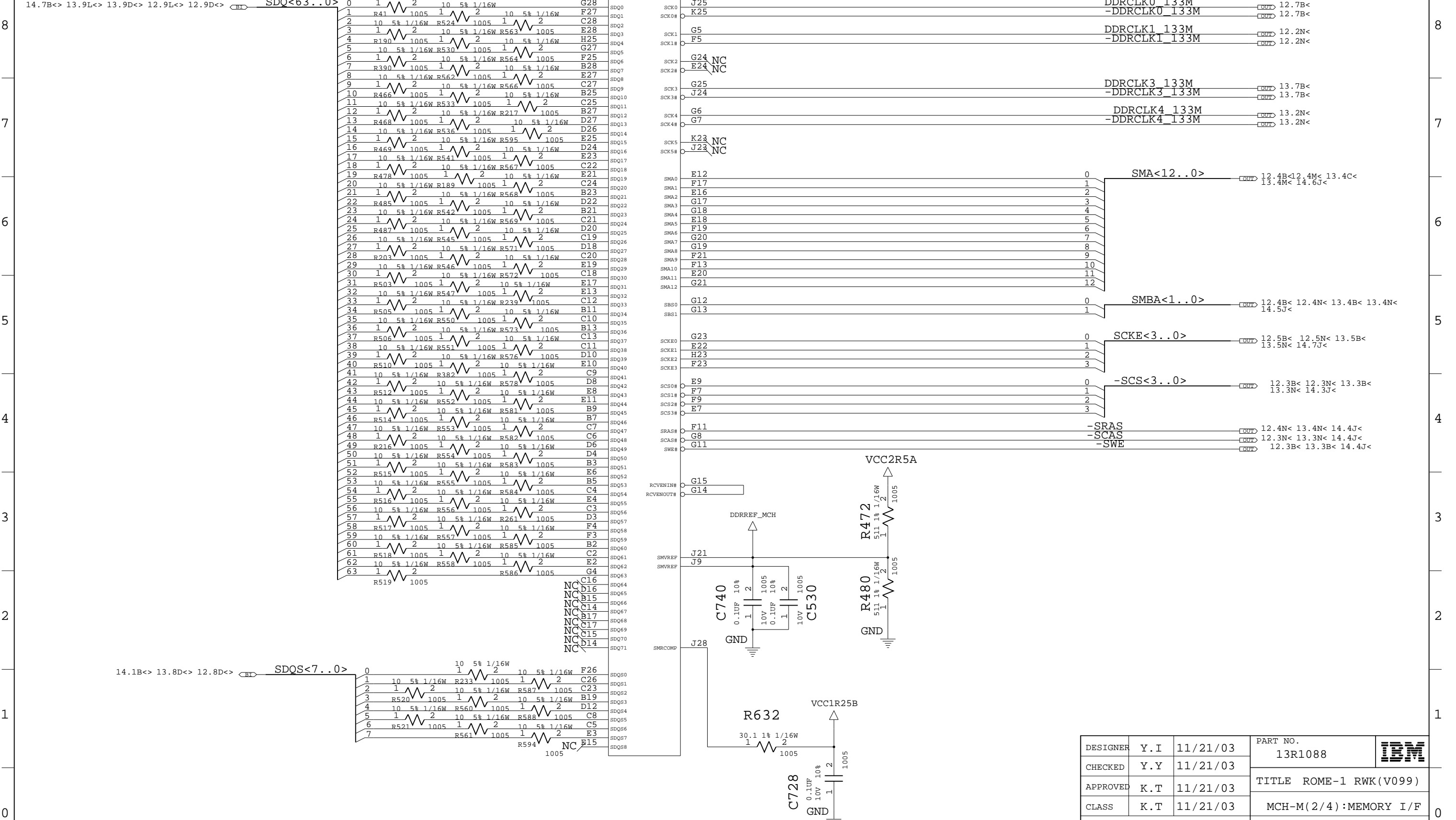


REL	DATE	EC NO.	PART NO.
	11/21/03	J45843A	13R1088
			DEVELOPMENT NO.
			Q/M
			8 / 82

DESIGNER	Y.I	11/21/03	PART NO.	13R1088	IBM
CHECKED	Y.Y	11/21/03	TITLE		
APPROVED	K.T	11/21/03	CLASS	MCH-M(1/4):HOST I/F	
THIS DOCUMENT IS THE PROPERTY OF IBM ITS USE IS AUTHORIZED ONLY FOR RESPONDING TO A REQUEST FOR QUOTATION OR FOR THE PERFORMANCE OF WORK FOR IBM. ALL QUESTIONS MUST BE REFERRED TO THE IBM PURCHASING DEPARTMENT.				IBM CONFIDENTIAL	

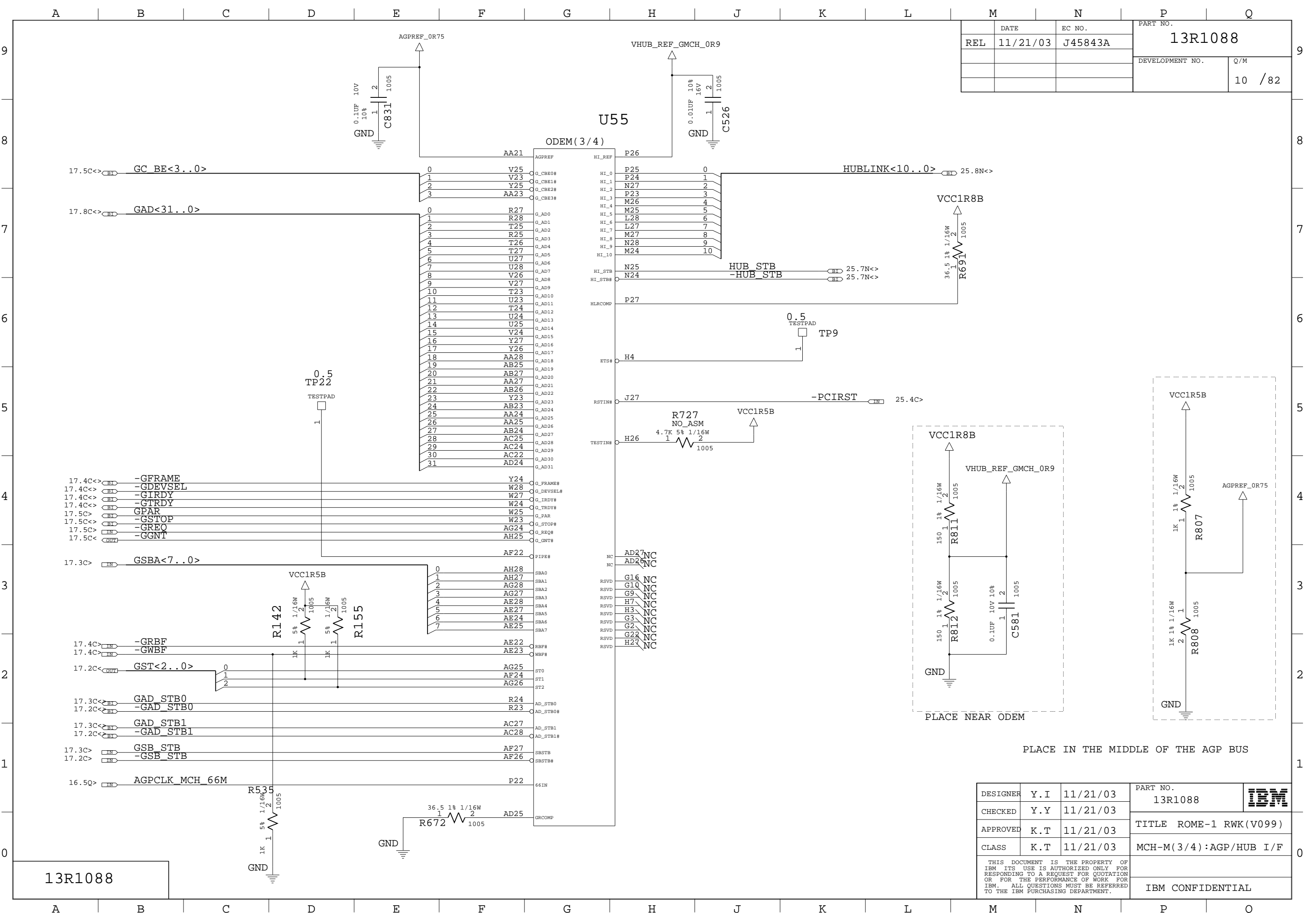
REL	DATE	EC NO.	PART NO.
	11/21/03	J45843A	13R1088
			DEVELOPMENT NO.
			9 / 82

U55
ODEM(2/4)



13R1088

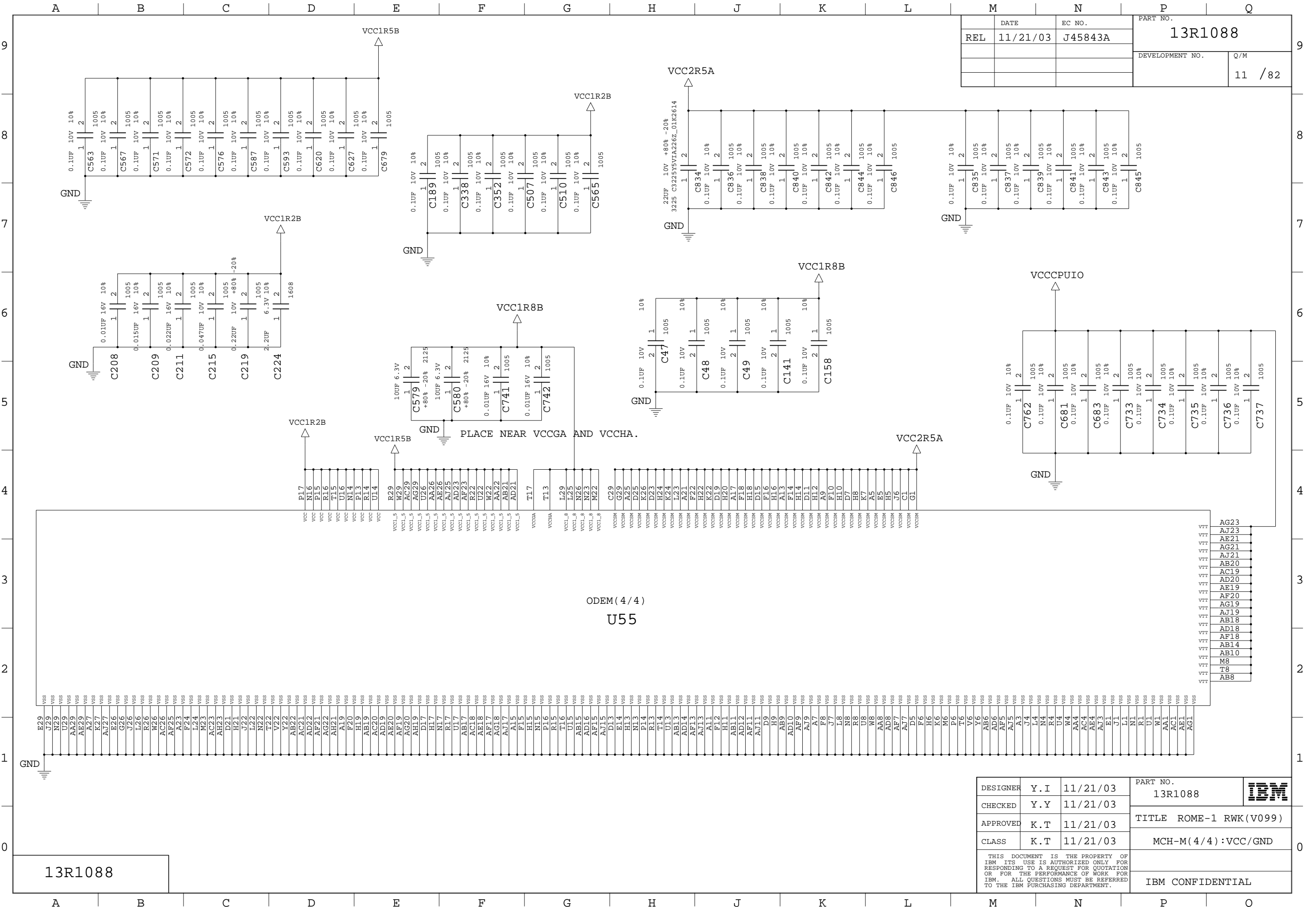
DESIGNER	Y.I	11/21/03	PART NO.	13R1088	IBM
CHECKED	Y.Y	11/21/03	TITLE	ROME-1 RWK(V099)	
APPROVED	K.T	11/21/03	CLASS	MCH-M(2/4):MEMORY I/F	
THIS DOCUMENT IS THE PROPERTY OF IBM ITS USE IS AUTHORIZED ONLY FOR RESPONDING TO A REQUEST FOR QUOTATION OR FOR THE PERFORMANCE OF WORK FOR IBM. ALL QUESTIONS MUST BE REFERRED TO THE IBM PURCHASING DEPARTMENT.					IBM CONFIDENTIAL



REL	DATE	EC NO.	PART NO.
	11/21/03	J45843A	13R1088
			DEVELOPMENT NO.
			Q/M
			10 / 82

13R1088

DESIGNER	Y.I	11/21/03	PART NO.	13R1088	
CHECKED	Y.Y	11/21/03	TITLE		
APPROVED	K.T	11/21/03	CLASS	MCH-M(3/4):AGP/HUB I/F	
THIS DOCUMENT IS THE PROPERTY OF IBM. ITS USE IS AUTHORIZED ONLY FOR RESPONDING TO A REQUEST FOR QUOTATION OR FOR THE PERFORMANCE OF WORK FOR IBM. ALL QUESTIONS MUST BE REFERRED TO THE IBM PURCHASING DEPARTMENT.					IBM CONFIDENTIAL



REL	DATE	EC NO.	PART NO.
	11/21/03	J45843A	13R1088
			DEVELOPMENT NO.
			Q/M
			11 / 82

ODEM(4/4)
U55

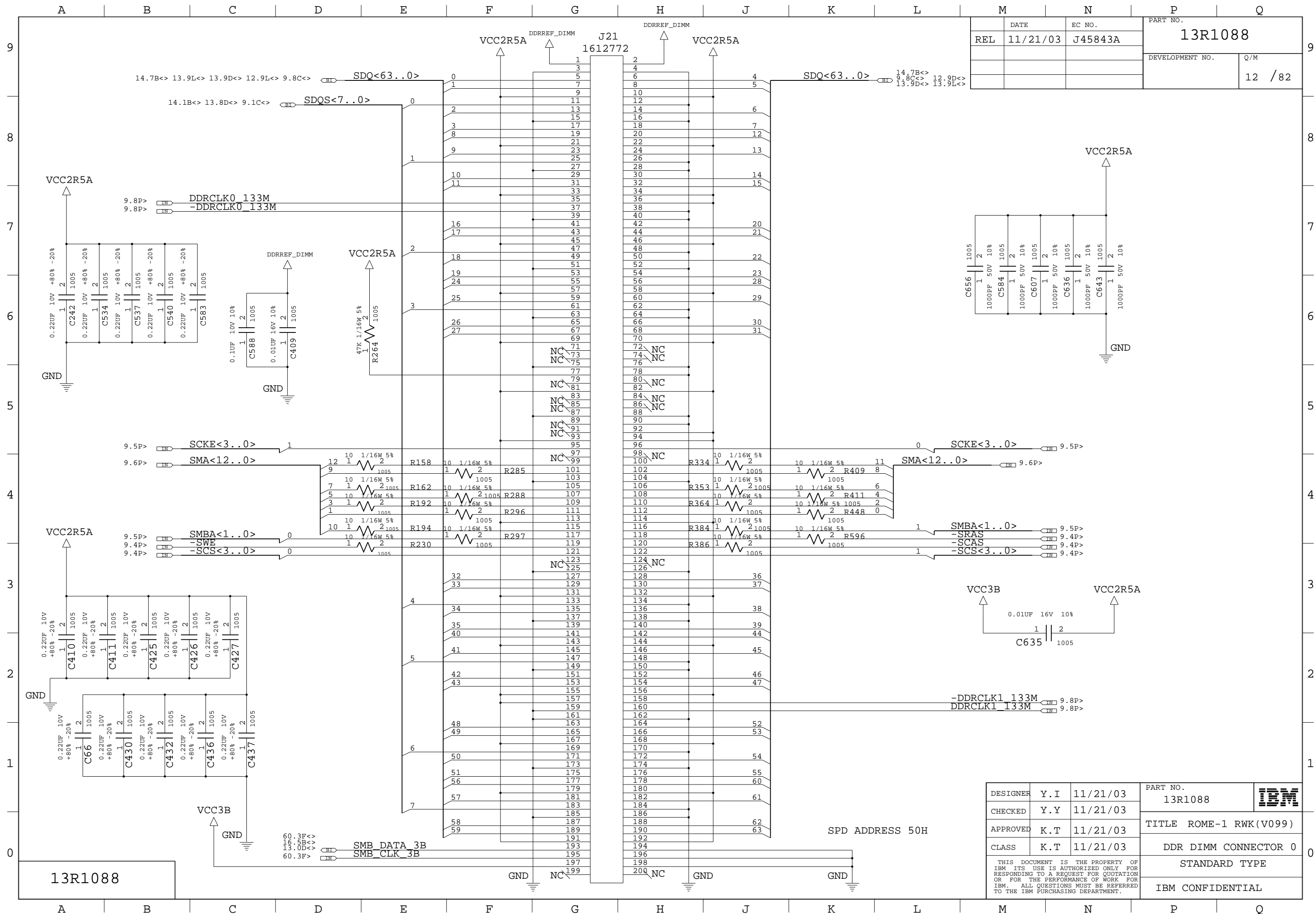
PLACE NEAR VCCGA AND VCCHA.

13R1088

DESIGNER	Y.I	11/21/03	PART NO.	13R1088	
CHECKED	Y.Y	11/21/03	TITLE		
APPROVED	K.T	11/21/03	MCH-M(4/4):VCC/GND		
CLASS	K.T	11/21/03	IBM CONFIDENTIAL		

THIS DOCUMENT IS THE PROPERTY OF IBM. ITS USE IS AUTHORIZED ONLY FOR RESPONDING TO A REQUEST FOR QUOTATION OR FOR THE PERFORMANCE OF WORK FOR IBM. ALL QUESTIONS MUST BE REFERRED TO THE IBM PURCHASING DEPARTMENT.

- VTT AG23
- VTT AJ23
- VTT AE21
- VTT AG21
- VTT AJ21
- VTT AB20
- VTT AC19
- VTT AD20
- VTT AE19
- VTT AF20
- VTT AG19
- VTT AJ19
- VTT AB18
- VTT AD18
- VTT AF18
- VTT AB14
- VTT AB10
- VTT T8
- VTT M8
- VTT AB8



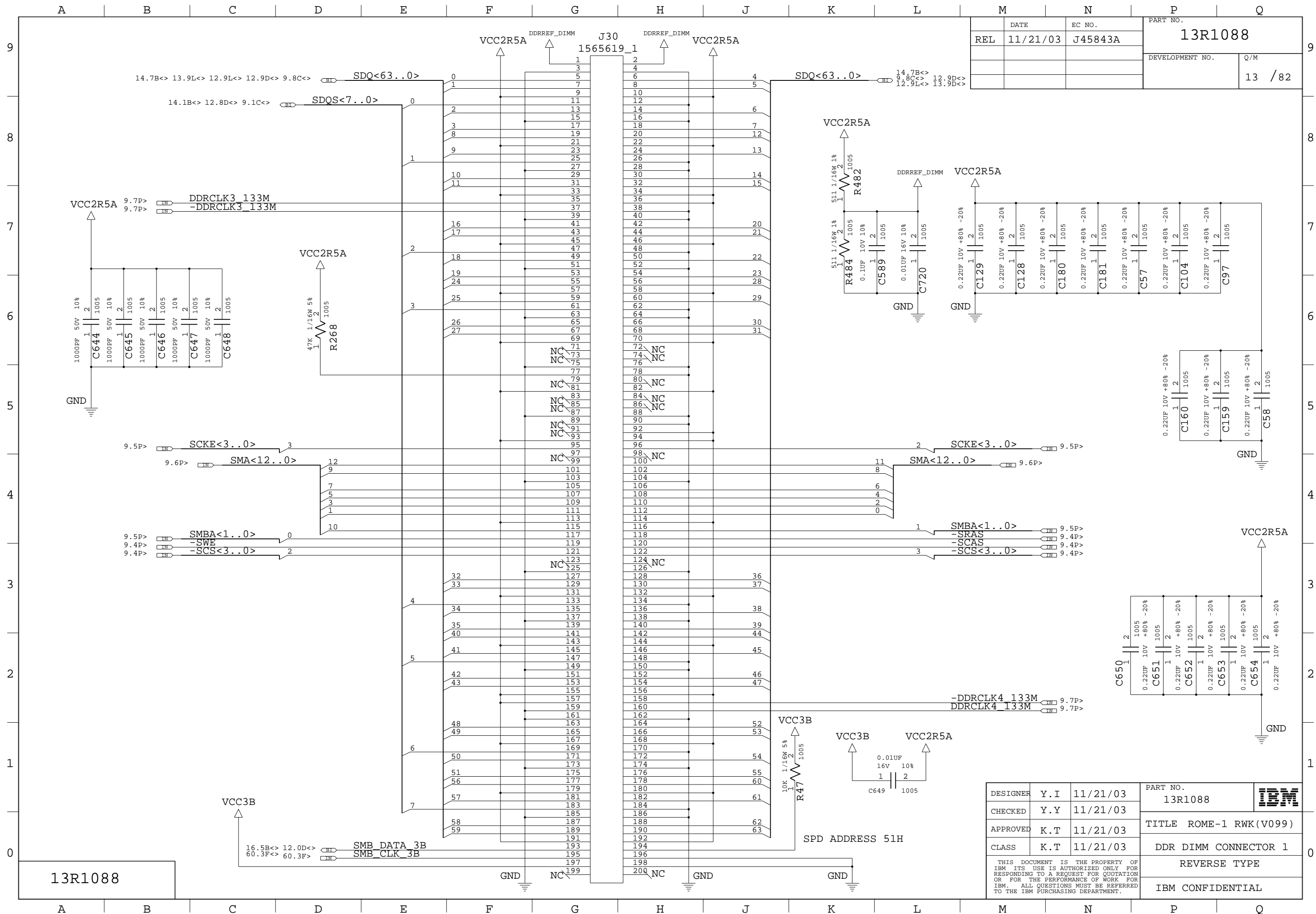
REL	DATE	EC NO.	PART NO.
	11/21/03	J45843A	13R1088
			DEVELOPMENT NO.
			Q/M
			12 / 82

DESIGNER	Y.I	11/21/03	PART NO.	13R1088	IBM
CHECKED	Y.Y	11/21/03	TITLE		
APPROVED	K.T	11/21/03	CLASS	DDR DIMM CONNECTOR 0	
				STANDARD TYPE	
				IBM CONFIDENTIAL	

THIS DOCUMENT IS THE PROPERTY OF IBM ITS USE IS AUTHORIZED ONLY FOR RESPONDING TO A REQUEST FOR QUOTATION OR FOR THE PERFORMANCE OF WORK FOR IBM. ALL QUESTIONS MUST BE REFERRED TO THE IBM PURCHASING DEPARTMENT.

13R1088

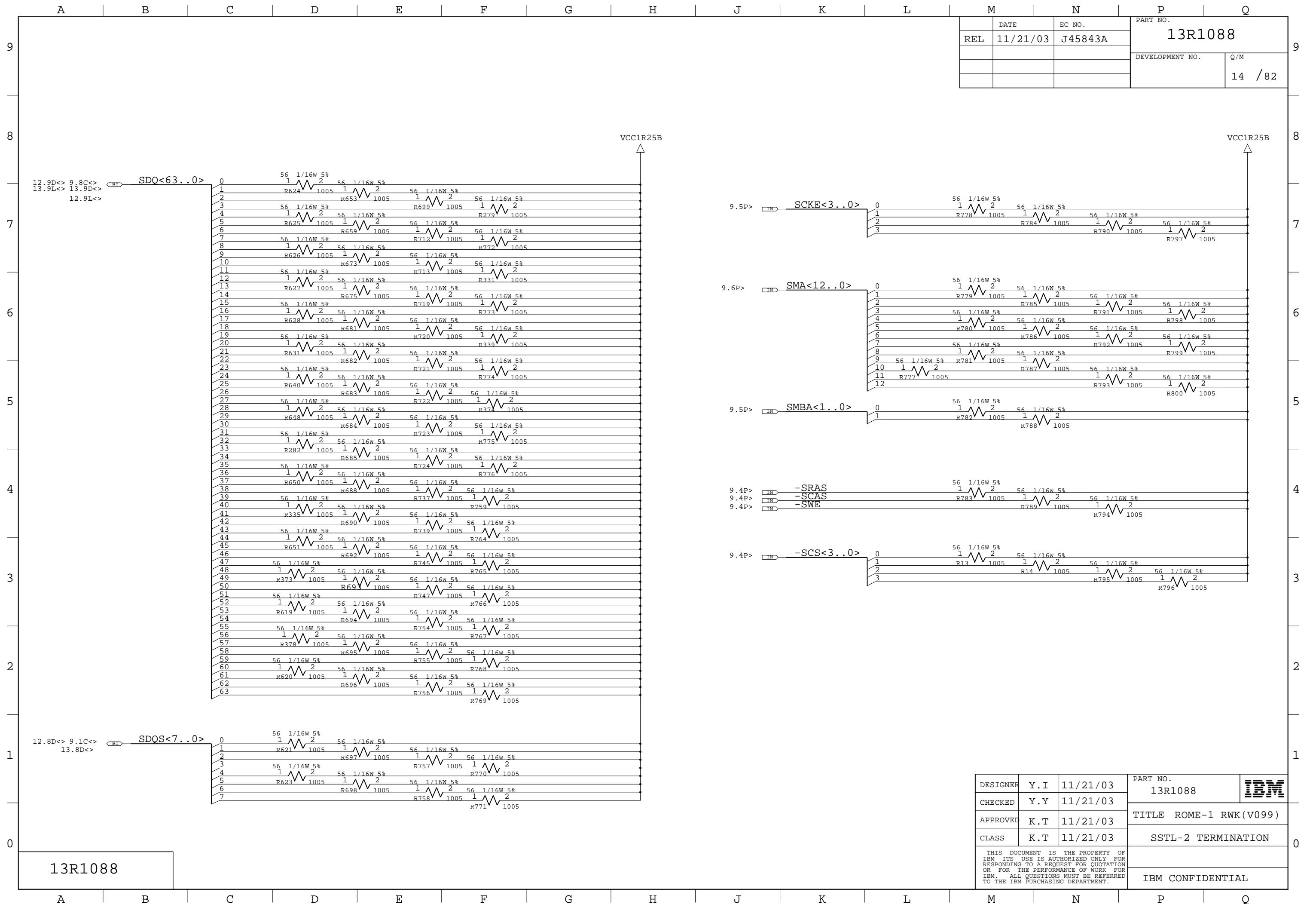
SPD ADDRESS 50H



REL	DATE	EC NO.	PART NO.
	11/21/03	J45843A	13R1088
			DEVELOPMENT NO.
			Q/M
			13 / 82

13R1088

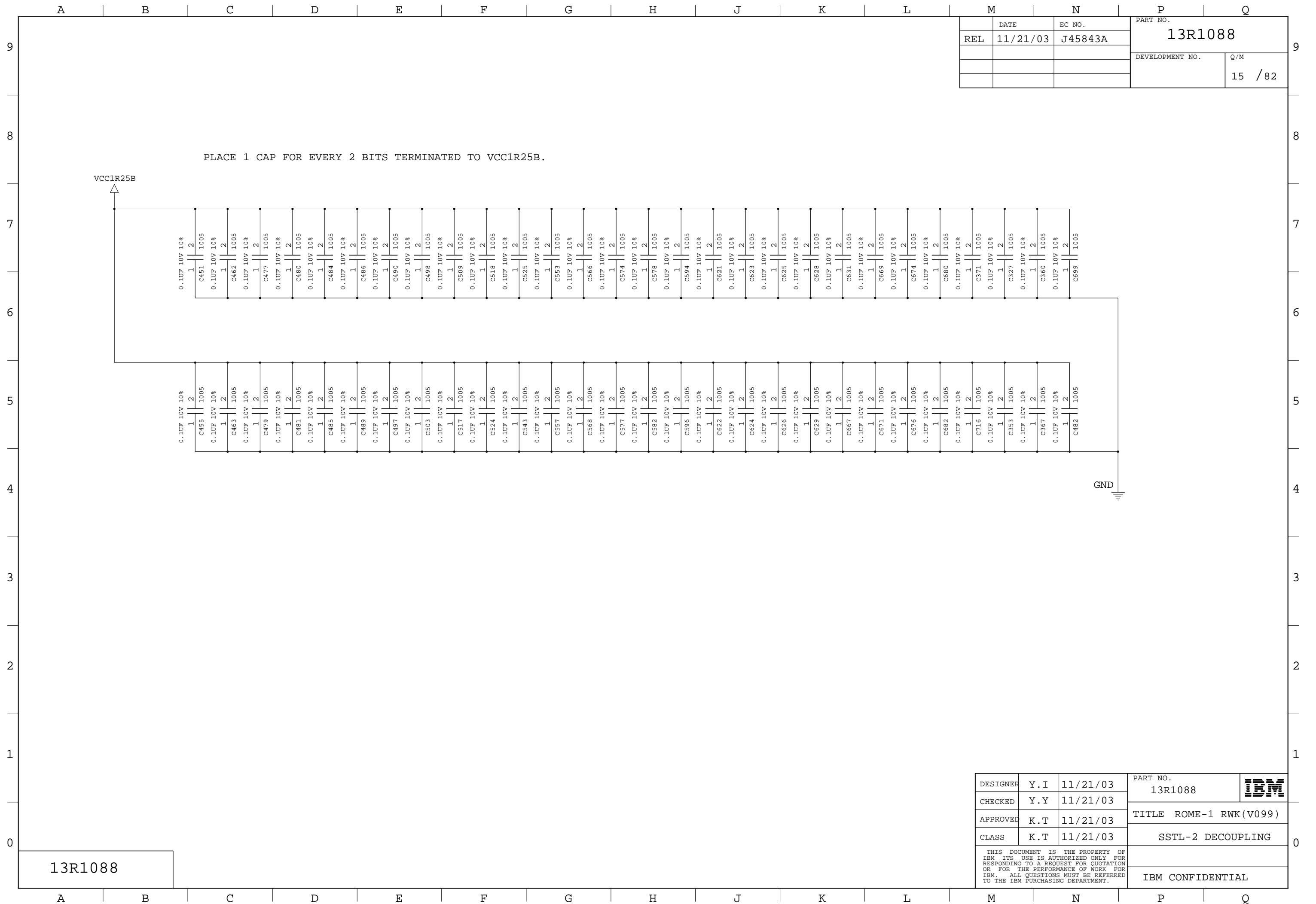
DESIGNER	Y.I	11/21/03	PART NO.	13R1088	
CHECKED	Y.Y	11/21/03	TITLE	ROME-1 RWK(V099)	
APPROVED	K.T	11/21/03	CLASS	DDR DIMM CONNECTOR 1	
				REVERSE TYPE	
				IBM CONFIDENTIAL	



REL	DATE	EC NO.	PART NO.
	11/21/03	J45843A	13R1088
			DEVELOPMENT NO.
			Q/M
			14 /82

DESIGNER	Y.I	11/21/03	PART NO.	13R1088	IBM
CHECKED	Y.Y	11/21/03	TITLE		
APPROVED	K.T	11/21/03	CLASS	SSTL-2 TERMINATION	
THIS DOCUMENT IS THE PROPERTY OF IBM. ITS USE IS AUTHORIZED ONLY FOR RESPONDING TO A REQUEST FOR QUOTATION OR FOR THE PERFORMANCE OF WORK FOR IBM. ALL QUESTIONS MUST BE REFERRED TO THE IBM PURCHASING DEPARTMENT.				IBM CONFIDENTIAL	

13R1088



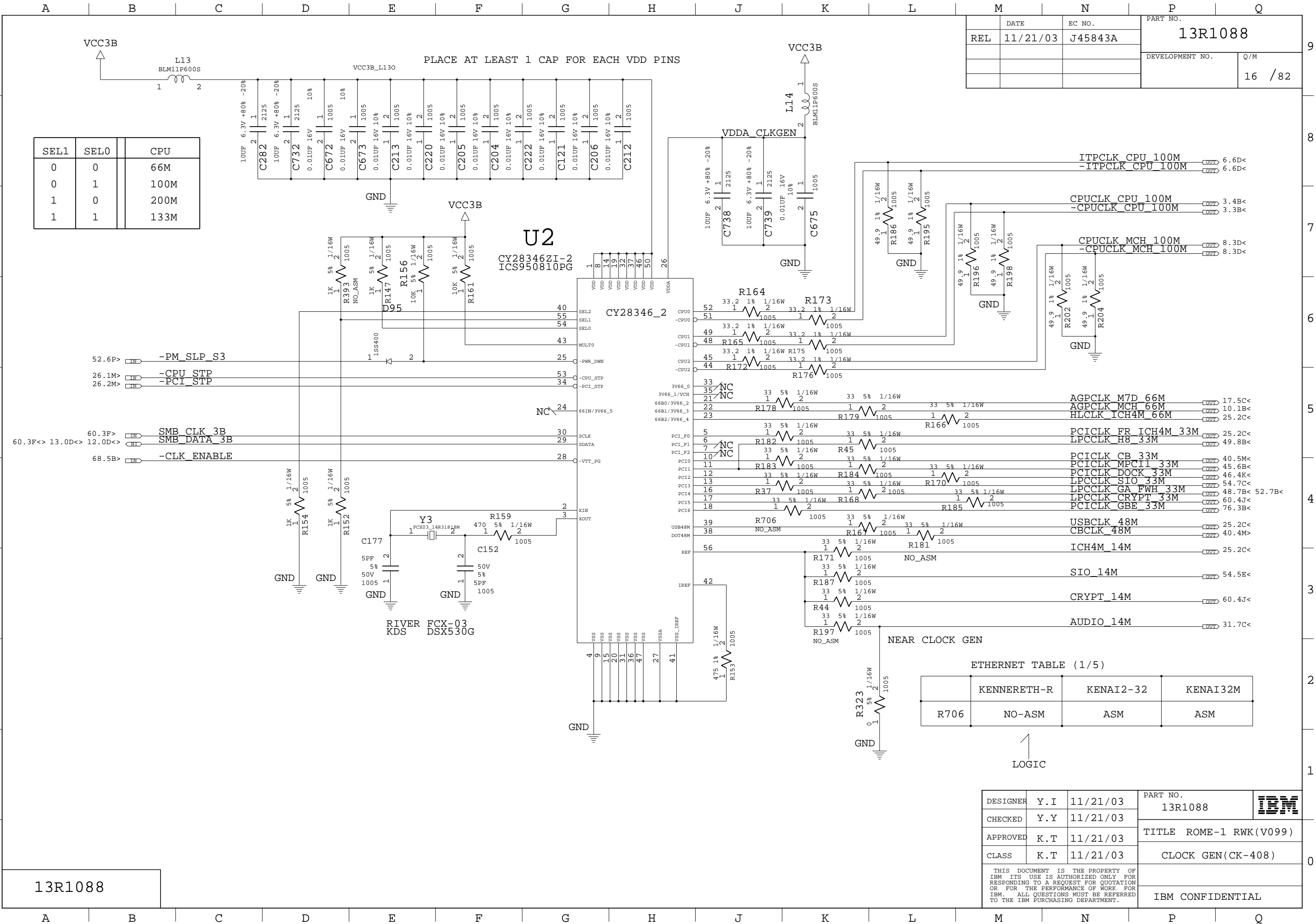
	DATE	EC NO.	PART NO.	
REL	11/21/03	J45843A	13R1088	
			DEVELOPMENT NO.	Q/M
				15 /82

13R1088

DESIGNER	Y. I	11/21/03	PART NO.	13R1088	
CHECKED	Y. Y	11/21/03	TITLE		
APPROVED	K. T	11/21/03	CLASS	SSTL-2 DECOUPLING	
THIS DOCUMENT IS THE PROPERTY OF IBM. ITS USE IS AUTHORIZED ONLY FOR RESPONDING TO A REQUEST FOR QUOTATION OR FOR THE PERFORMANCE OF WORK FOR IBM. ALL QUESTIONS MUST BE REFERRED TO THE IBM PURCHASING DEPARTMENT.					IBM CONFIDENTIAL

DATE	11/21/03	EC NO.	J45843A	PART NO.	13R1088
REL				DEVELOPMENT NO.	Q/M
					16 / 82

SEL1	SEL0	CPU
0	0	66M
0	1	100M
1	0	200M
1	1	133M



ETHERNET TABLE (1/5)

	KENNERETH-R	KENAI2-32	KENAI32M
R706	NO-ASM	ASM	ASM

DESIGNER	Y.I	11/21/03	PART NO.	13R1088	
CHECKED	Y.Y	11/21/03	TITLE ROME-1 RWK(V099)		
APPROVED	K.T	11/21/03	CLOCK GEN(CK-408)		
CLASS	K.T	11/21/03	IBM CONFIDENTIAL		

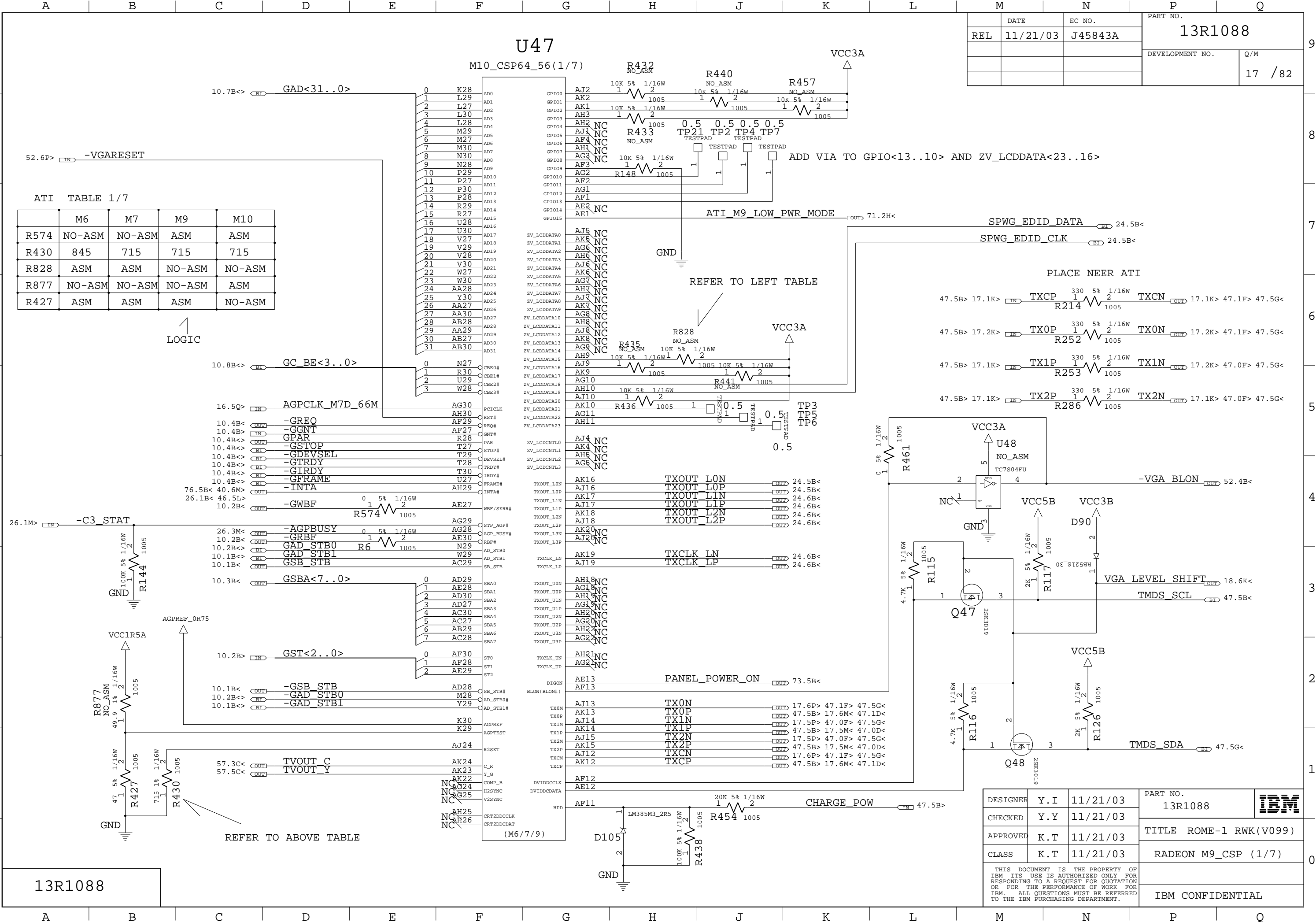
THIS DOCUMENT IS THE PROPERTY OF IBM. ITS USE IS AUTHORIZED ONLY FOR RESPONDING TO A REQUEST FOR QUOTATION OR FOR THE PERFORMANCE OF WORK FOR IBM. ALL QUESTIONS MUST BE REFERRED TO THE IBM PURCHASING DEPARTMENT.

13R1088

REL	DATE	EC NO.	PART NO.
	11/21/03	J45843A	13R1088
			DEVELOPMENT NO.
			Q/M
			17 / 82

U47

M10_CSP64_56(1/7)



ATI TABLE 1/7

	M6	M7	M9	M10
R574	NO-ASM	NO-ASM	ASM	ASM
R430	845	715	715	715
R828	ASM	ASM	NO-ASM	NO-ASM
R877	NO-ASM	NO-ASM	NO-ASM	ASM
R427	ASM	ASM	ASM	NO-ASM

LOGIC

REFER TO ABOVE TABLE

REFER TO LEFT TABLE

PLACE NEER ATI

DESIGNER	Y.I	11/21/03	PART NO.	13R1088	IBM
CHECKED	Y.Y	11/21/03	TITLE ROME-1 RWK(V099)		
APPROVED	K.T	11/21/03	RADEON M9_CSP (1/7)		
CLASS	K.T	11/21/03	IBM CONFIDENTIAL		
THIS DOCUMENT IS THE PROPERTY OF IBM ITS USE IS AUTHORIZED ONLY FOR RESPONDING TO A REQUEST FOR QUOTATION OR FOR THE PERFORMANCE OF WORK FOR IBM. ALL QUESTIONS MUST BE REFERRED TO THE IBM PURCHASING DEPARTMENT.					

13R1088



DATE	REL	EC NO.	PART NO.
11/21/03	11/21/03	J45843A	13R1088
DEVELOPMENT NO.			Q/M
			18 / 82

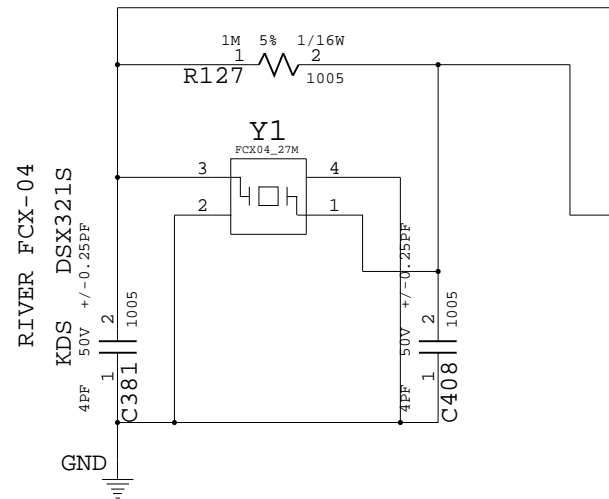
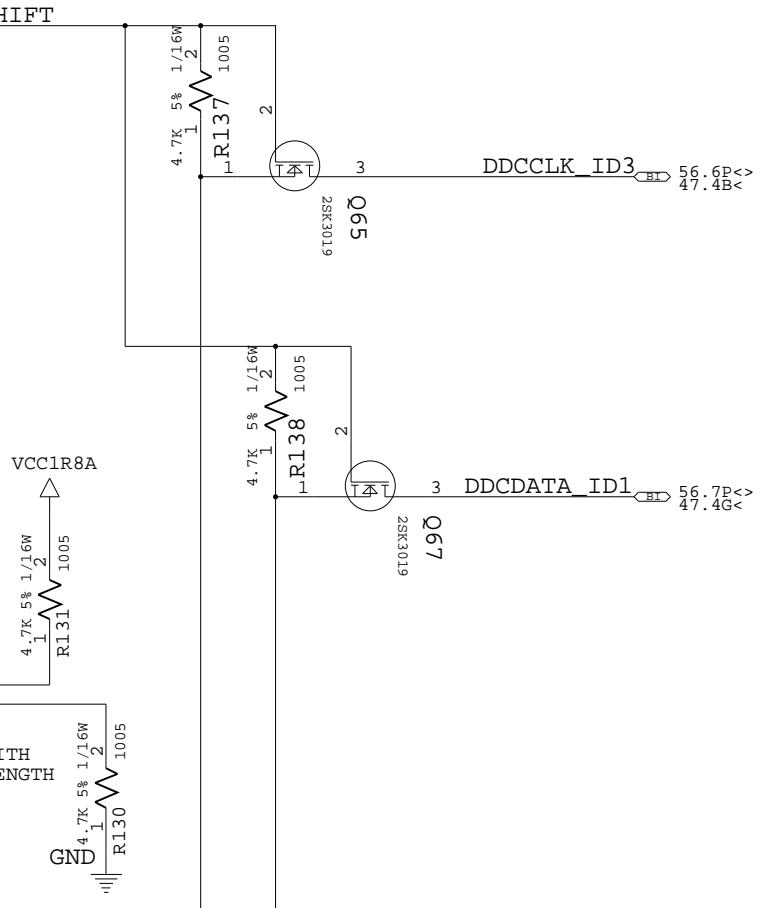
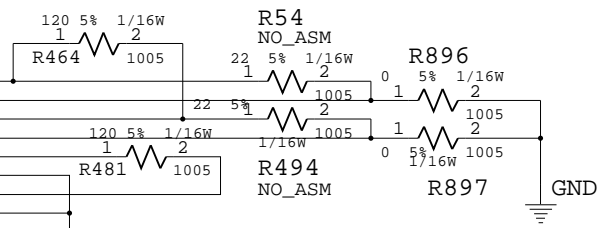
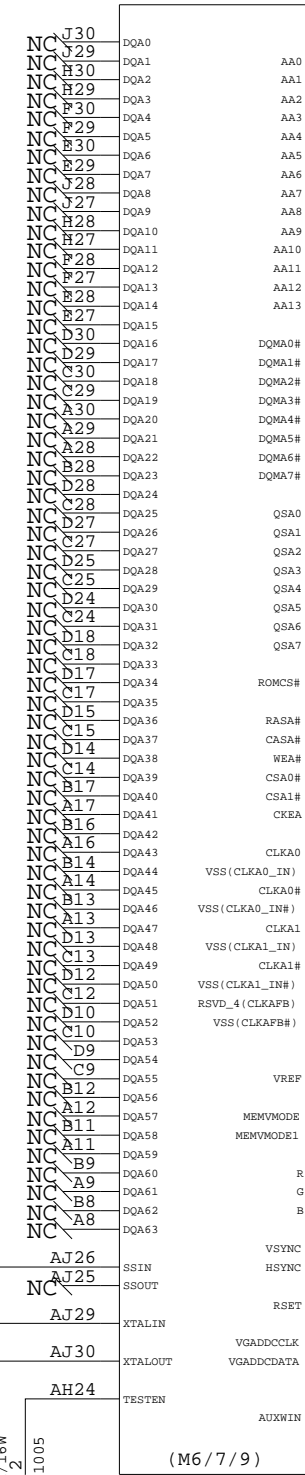
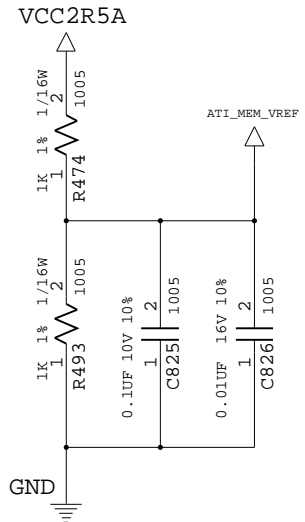
U47

M10_CSP64_56G(2/7)

ATI TABLE 2/7

	M6	M7	M9/M10
R481 R464	NO-ASM NO-ASM	ASM ASM	ASM ASM
R54 R494	ASM ASM	NO-ASM NO-ASM	NO-ASM NO-ASM
R896 R897	NO-ASM NO-ASM	ASM ASM	ASM ASM

LOGIC



NEAR VIDEO CHIP

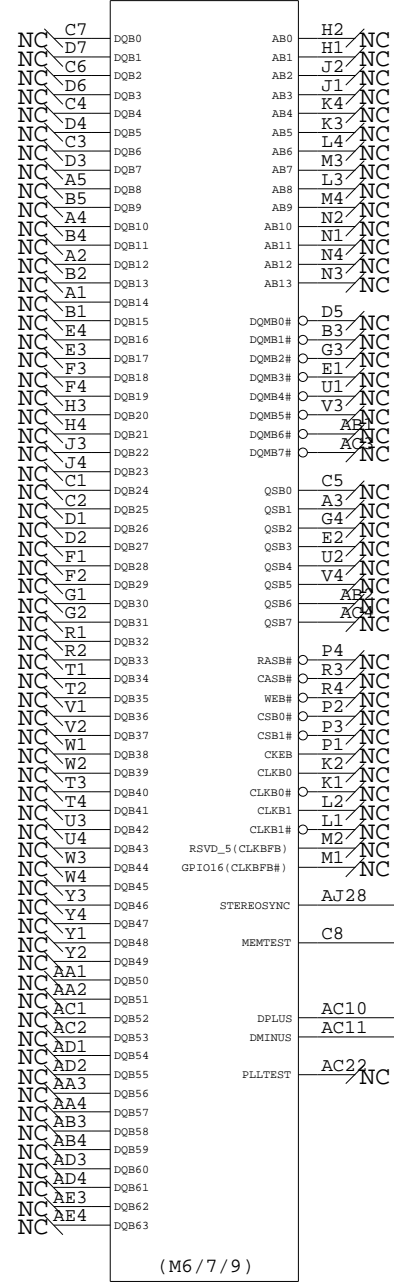
13R1088

DESIGNER	Y.I	11/21/03	PART NO.	13R1088	
CHECKED	Y.Y	11/21/03	TITLE ROME-1 RWK(V099)		
APPROVED	K.T	11/21/03	RADEON M9_CSP (2/7)		
CLASS	K.T	11/21/03	IBM CONFIDENTIAL		

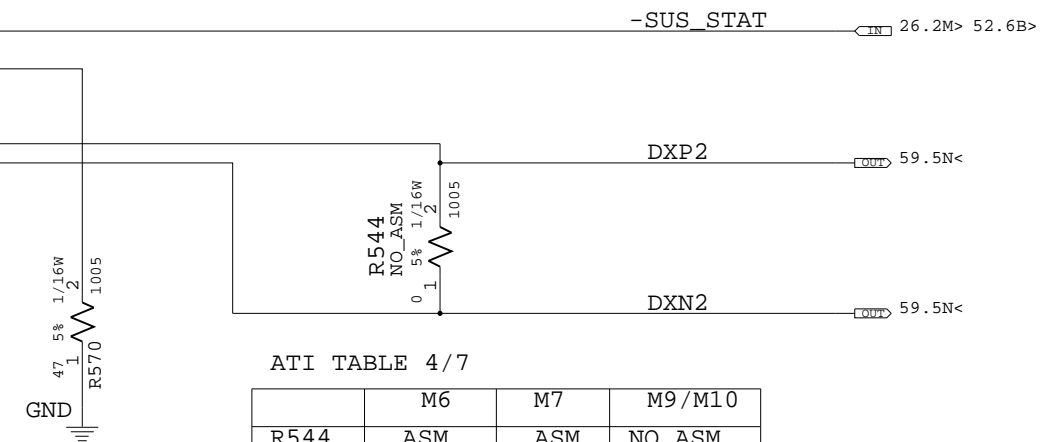
	DATE	EC NO.	PART NO.	
REL	11/21/03	J45843A	13R1088	
			DEVELOPMENT NO.	Q/M
				19 /82

U47

M10_CSP64_56G(3/7)



(M6/7/9)



ATI TABLE 4/7

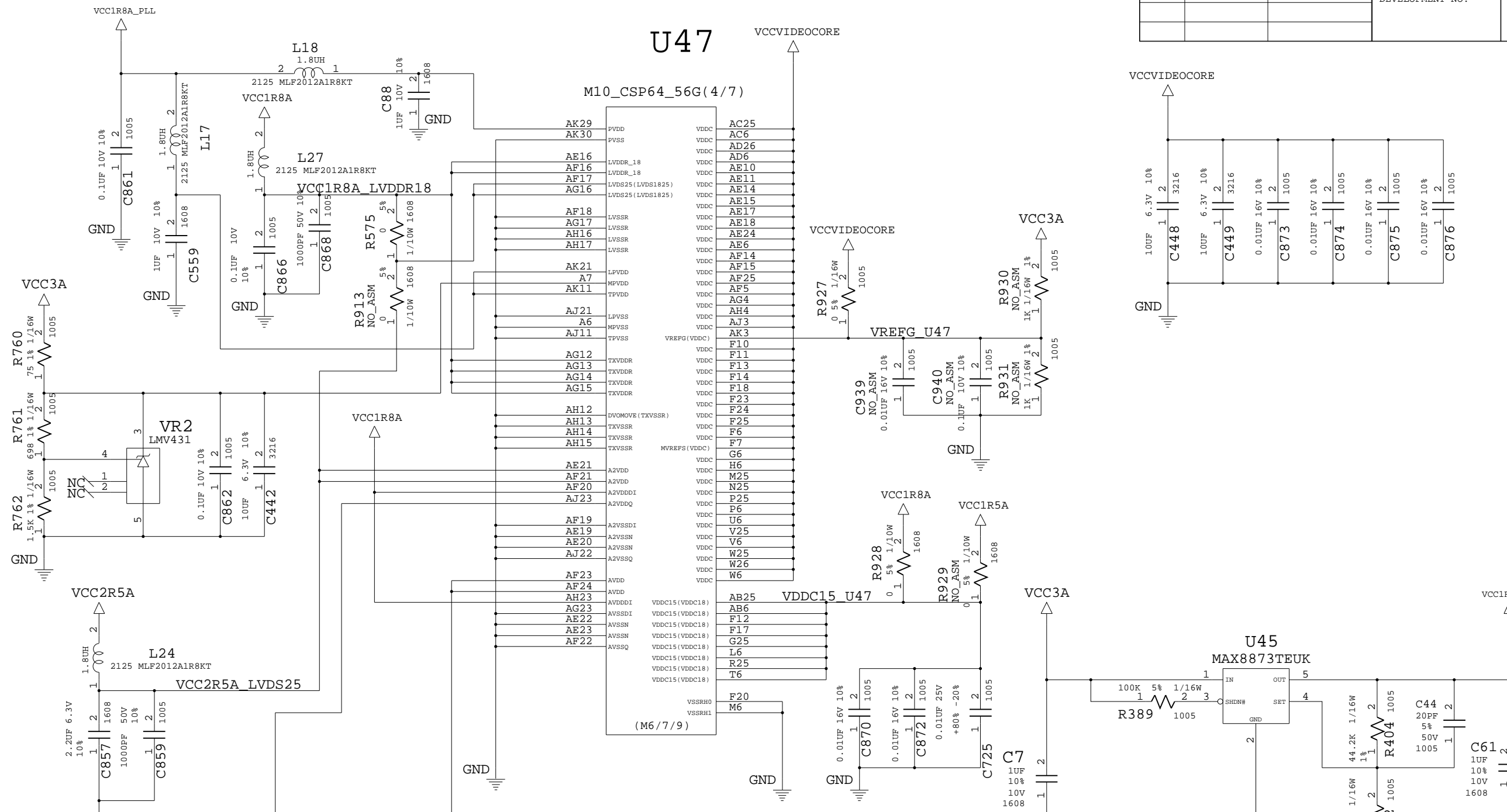
	M6	M7	M9/M10
R544	ASM	ASM	NO_ASM

LOGIC

13R1088

DESIGNER	Y.I	11/21/03	PART NO.	13R1088	
CHECKED	Y.Y	11/21/03			
APPROVED	K.T	11/21/03	TITLE ROME-1 RWK(V099)		
CLASS	K.T	11/21/03	RADEON M9_CSP (3/7)		
THIS DOCUMENT IS THE PROPERTY OF IBM ITS USE IS AUTHORIZED ONLY FOR RESPONDING TO A REQUEST FOR QUOTATION OR FOR THE PERFORMANCE OF WORK FOR IBM. ALL QUESTIONS MUST BE REFERRED TO THE IBM PURCHASING DEPARTMENT.				IBM CONFIDENTIAL	

REL	DATE	EC NO.	PART NO.
	11/21/03	J45843A	13R1088
			DEVELOPMENT NO.
			Q/M
			20 / 82



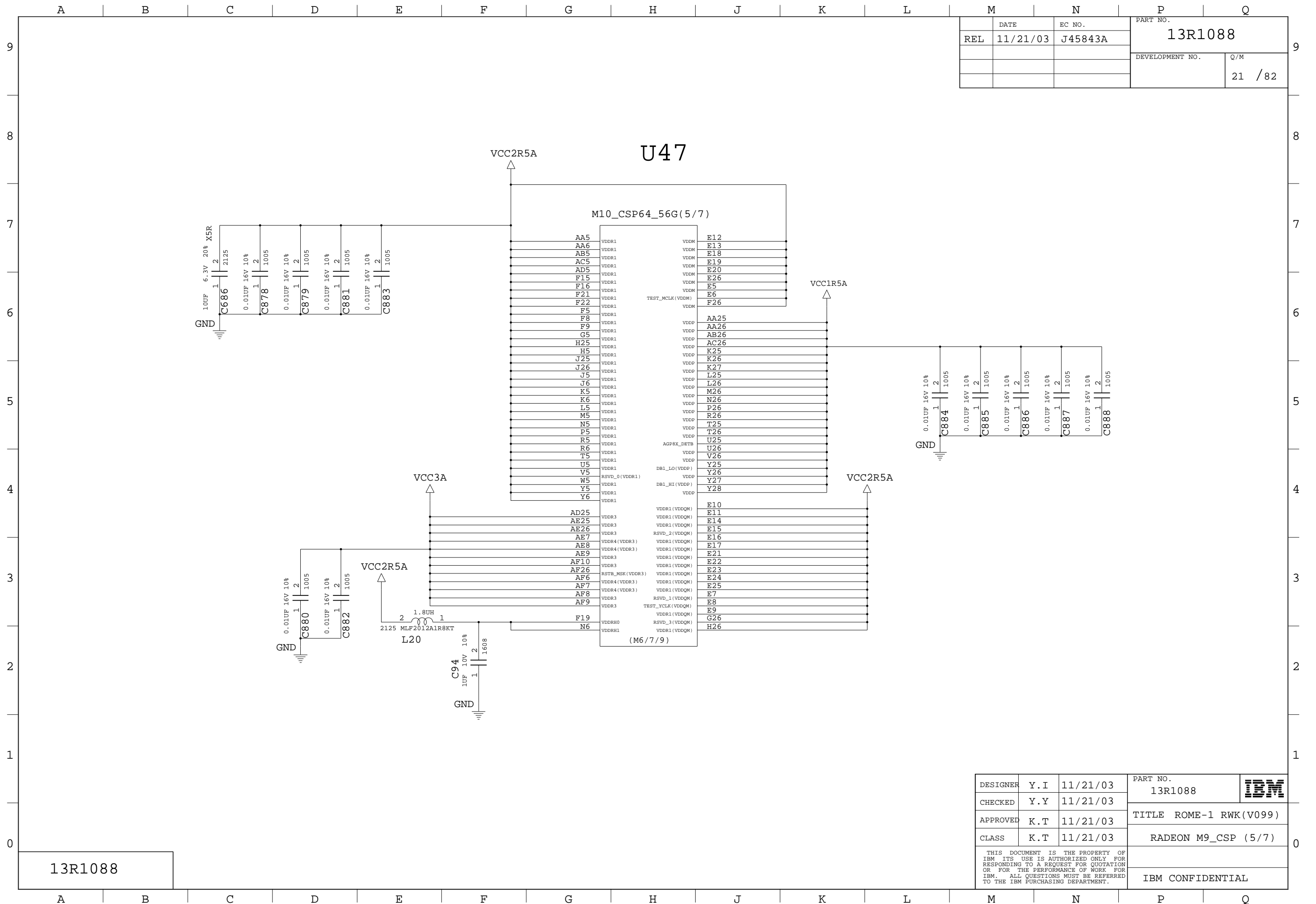
ATI TABLE 7/7

	M6/M7/M9	M10
R575	ASM	NO-ASM
R913	NO-ASM	ASM
R928	ASM	NO-ASM
R929	NO-ASM	ASM
R927	ASM	NO-ASM
R930	NO-ASM	ASM
R931	NO-ASM	ASM
C939	NO-ASM	ASM
C940	NO-ASM	ASM

LOGIC

13R1088

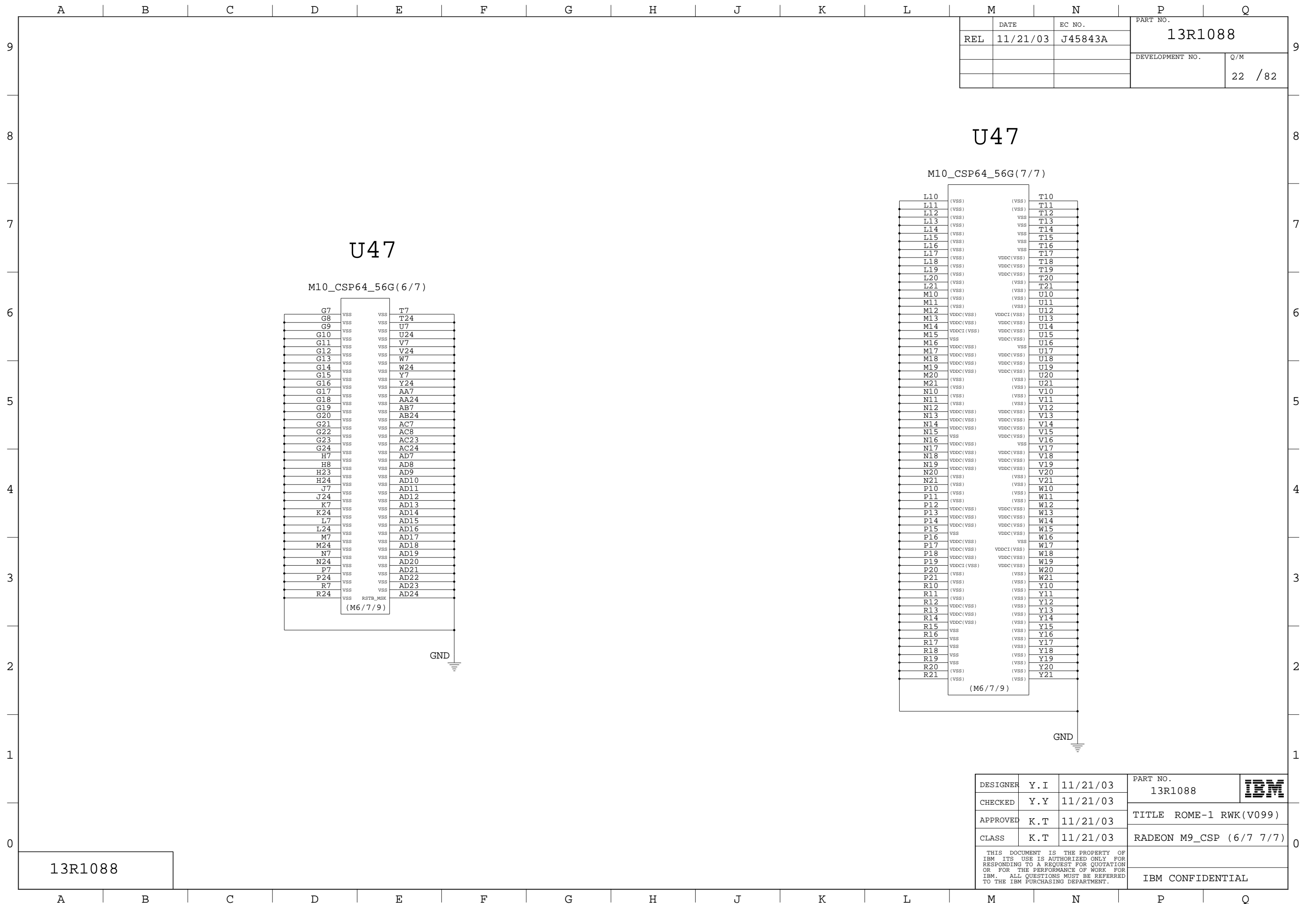
DESIGNER	Y.I	11/21/03	PART NO.	13R1088	
CHECKED	Y.Y	11/21/03	TITLE		
APPROVED	K.T	11/21/03	CLASS	K.T	11/21/03
THIS DOCUMENT IS THE PROPERTY OF IBM. ITS USE IS AUTHORIZED ONLY FOR RESPONDING TO A REQUEST FOR QUOTATION OR FOR THE PERFORMANCE OF WORK FOR IBM. ALL QUESTIONS MUST BE REFERRED TO THE IBM PURCHASING DEPARTMENT.					RADEON M9_CSP (4/7)
					IBM CONFIDENTIAL



	DATE	EC NO.	PART NO.	
REL	11/21/03	J45843A	13R1088	
			DEVELOPMENT NO.	Q/M
				21 / 82

13R1088

DESIGNER	Y.I	11/21/03	PART NO.	13R1088	IBM
CHECKED	Y.Y	11/21/03	TITLE ROME-1 RWK(V099)		
APPROVED	K.T	11/21/03	RADEON M9_CSP (5/7)		
CLASS	K.T	11/21/03	IBM CONFIDENTIAL		
THIS DOCUMENT IS THE PROPERTY OF IBM ITS USE IS AUTHORIZED ONLY FOR RESPONDING TO A REQUEST FOR QUOTATION OR FOR THE PERFORMANCE OF WORK FOR IBM. ALL QUESTIONS MUST BE REFERRED TO THE IBM PURCHASING DEPARTMENT.					



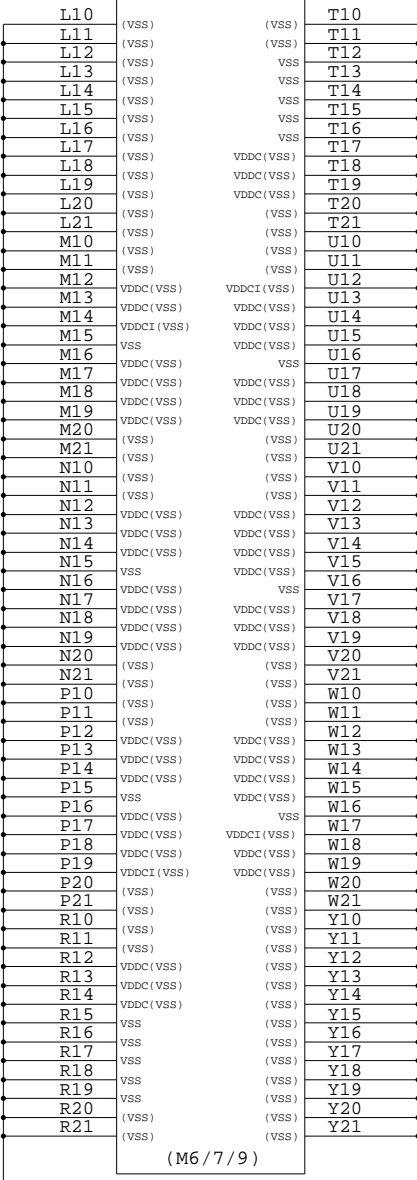
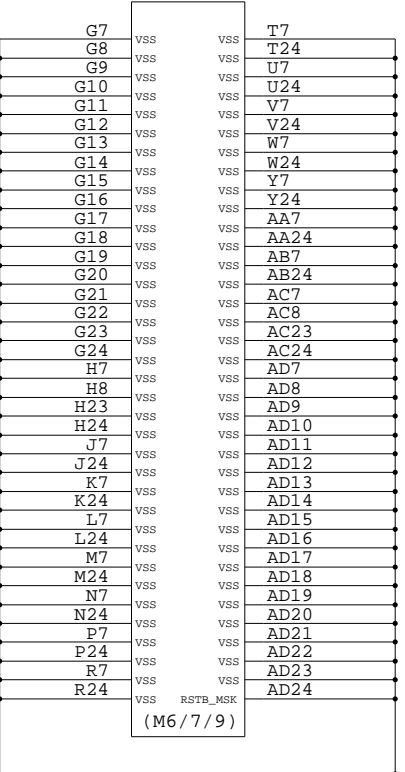
	DATE	EC NO.	PART NO.	
REL	11/21/03	J45843A	13R1088	
			DEVELOPMENT NO.	Q/M
				22 /82

U47

M10_CSP64_56G(7/7)

U47

M10_CSP64_56G(6/7)

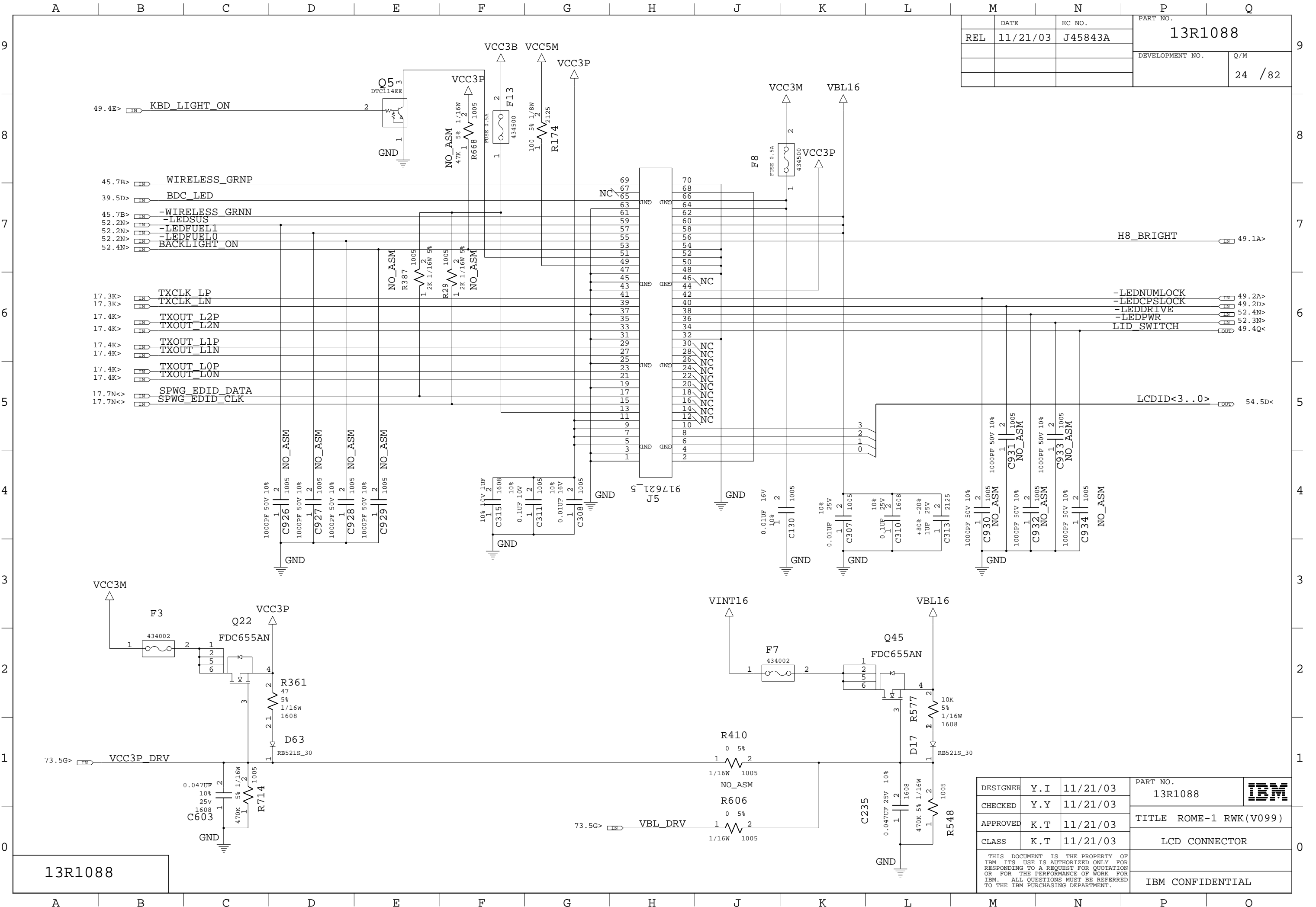


GND

GND

13R1088

DESIGNER	Y. I	11/21/03	PART NO.	13R1088	IBM
CHECKED	Y. Y	11/21/03	TITLE		
APPROVED	K. T	11/21/03	CLASS	RADEON M9_CSP (6/7 7/7)	
THIS DOCUMENT IS THE PROPERTY OF IBM. ITS USE IS AUTHORIZED ONLY FOR RESPONDING TO A REQUEST FOR QUOTATION OR FOR THE PERFORMANCE OF WORK FOR IBM. ALL QUESTIONS MUST BE REFERRED TO THE IBM PURCHASING DEPARTMENT.				IBM CONFIDENTIAL	



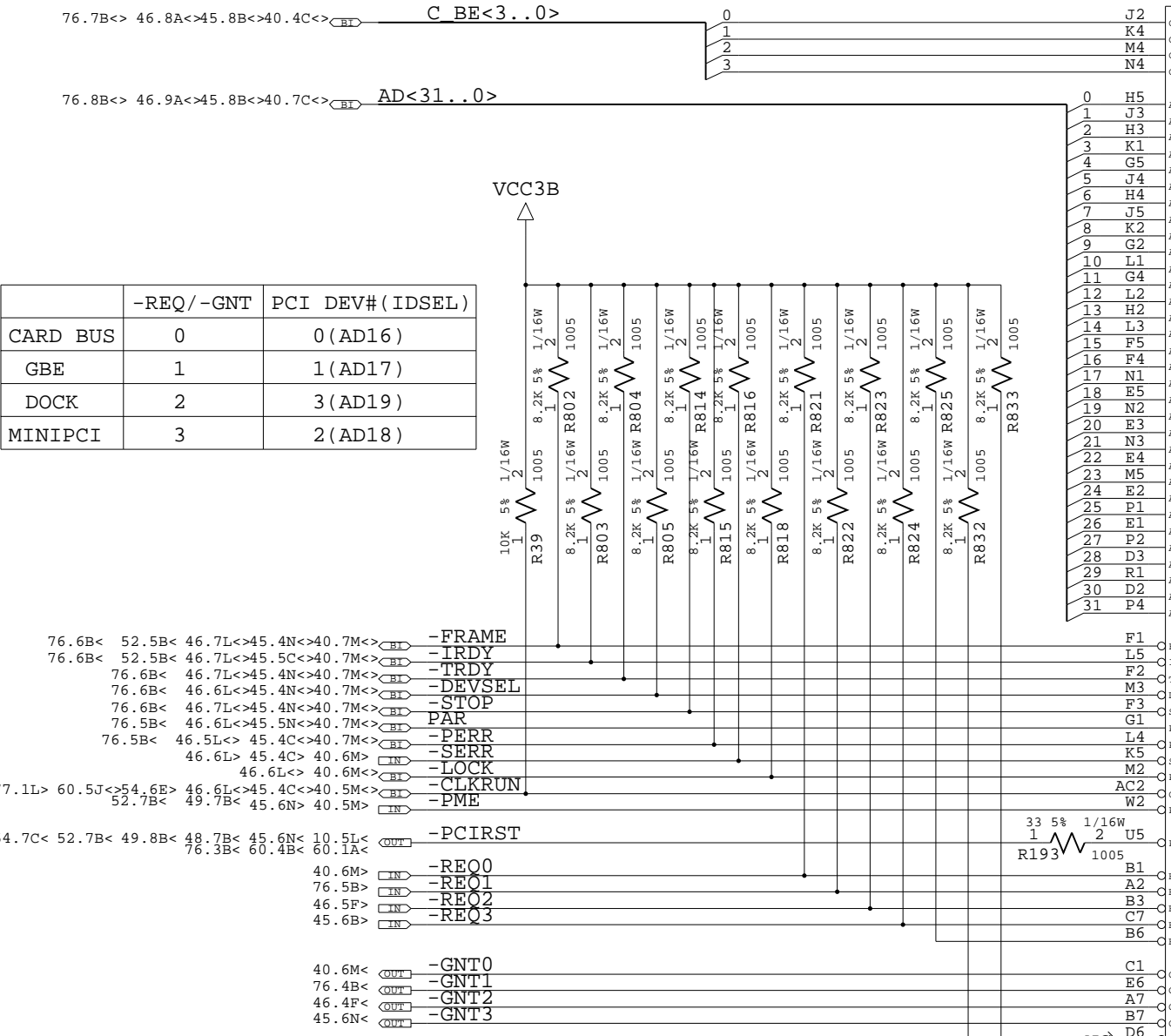
REL	DATE	EC NO.	PART NO.
	11/21/03	J45843A	13R1088
			DEVELOPMENT NO.
			Q/M
			24 / 82

13R1088

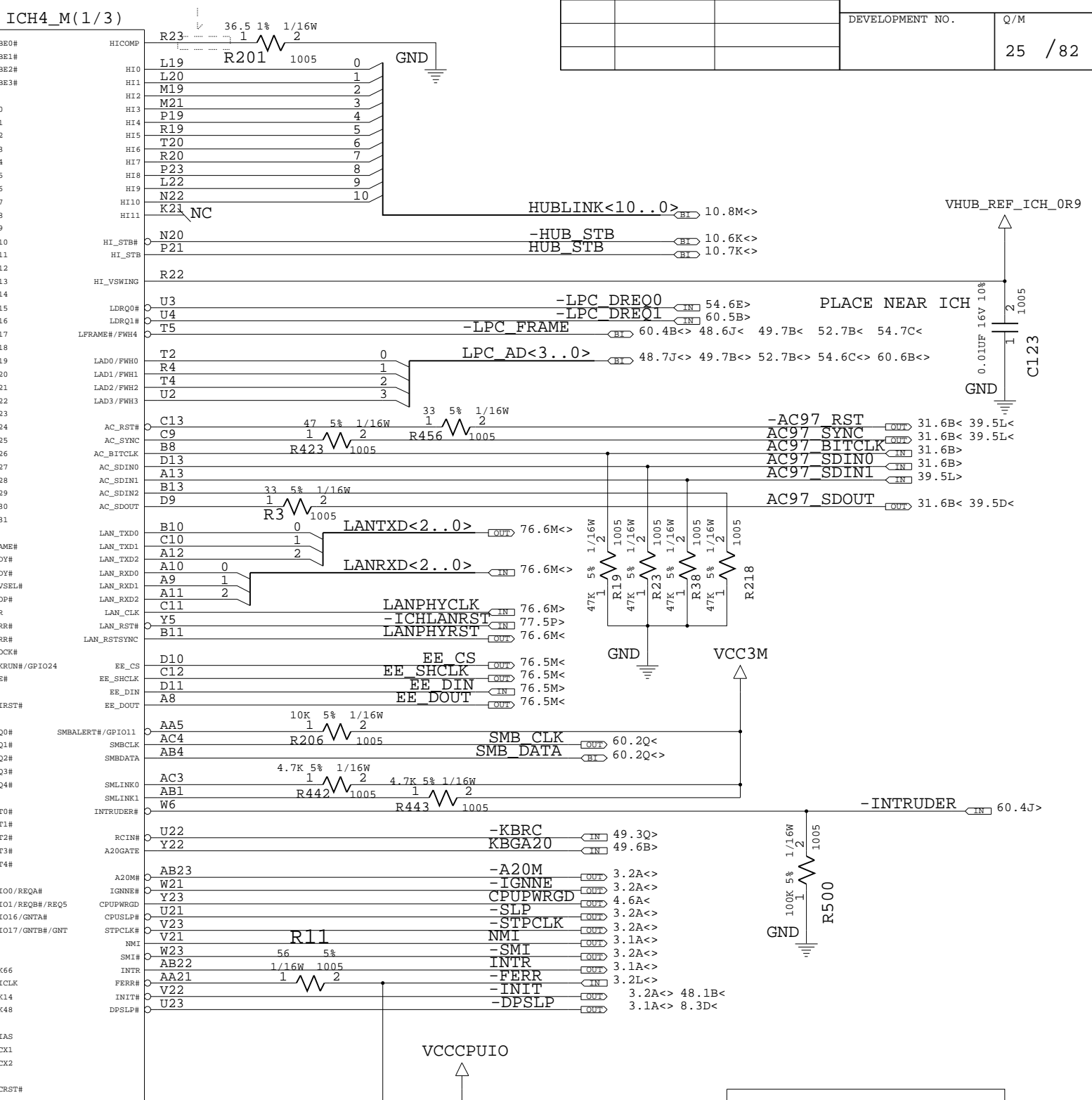
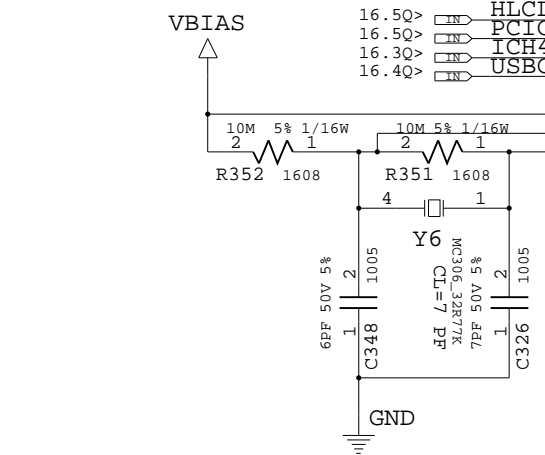
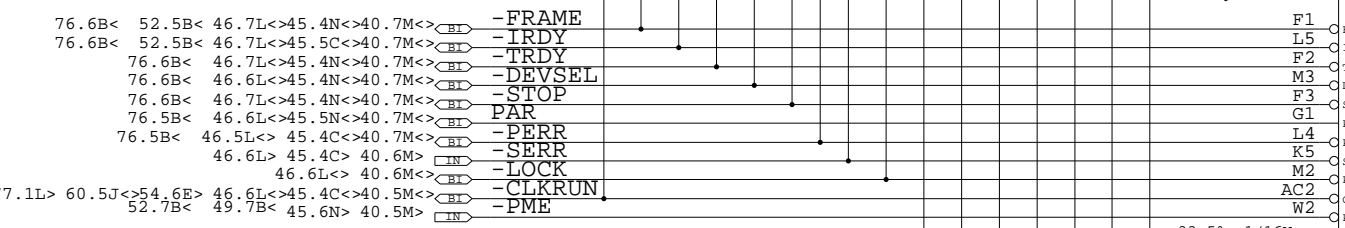
DESIGNER	Y.I	11/21/03	PART NO.	13R1088	
CHECKED	Y.Y	11/21/03	TITLE		
APPROVED	K.T	11/21/03	CLASS	LCD CONNECTOR	
THIS DOCUMENT IS THE PROPERTY OF IBM. ITS USE IS AUTHORIZED ONLY FOR RESPONDING TO A REQUEST FOR QUOTATION OR FOR THE PERFORMANCE OF WORK FOR IBM. ALL QUESTIONS MUST BE REFERRED TO THE IBM PURCHASING DEPARTMENT.				IBM CONFIDENTIAL	

REL	DATE	EC NO.	PART NO.
	11/21/03	J45843A	13R1088
			DEVELOPMENT NO.
			Q/M
			25 / 82

U5 ICH4_M(1/3)

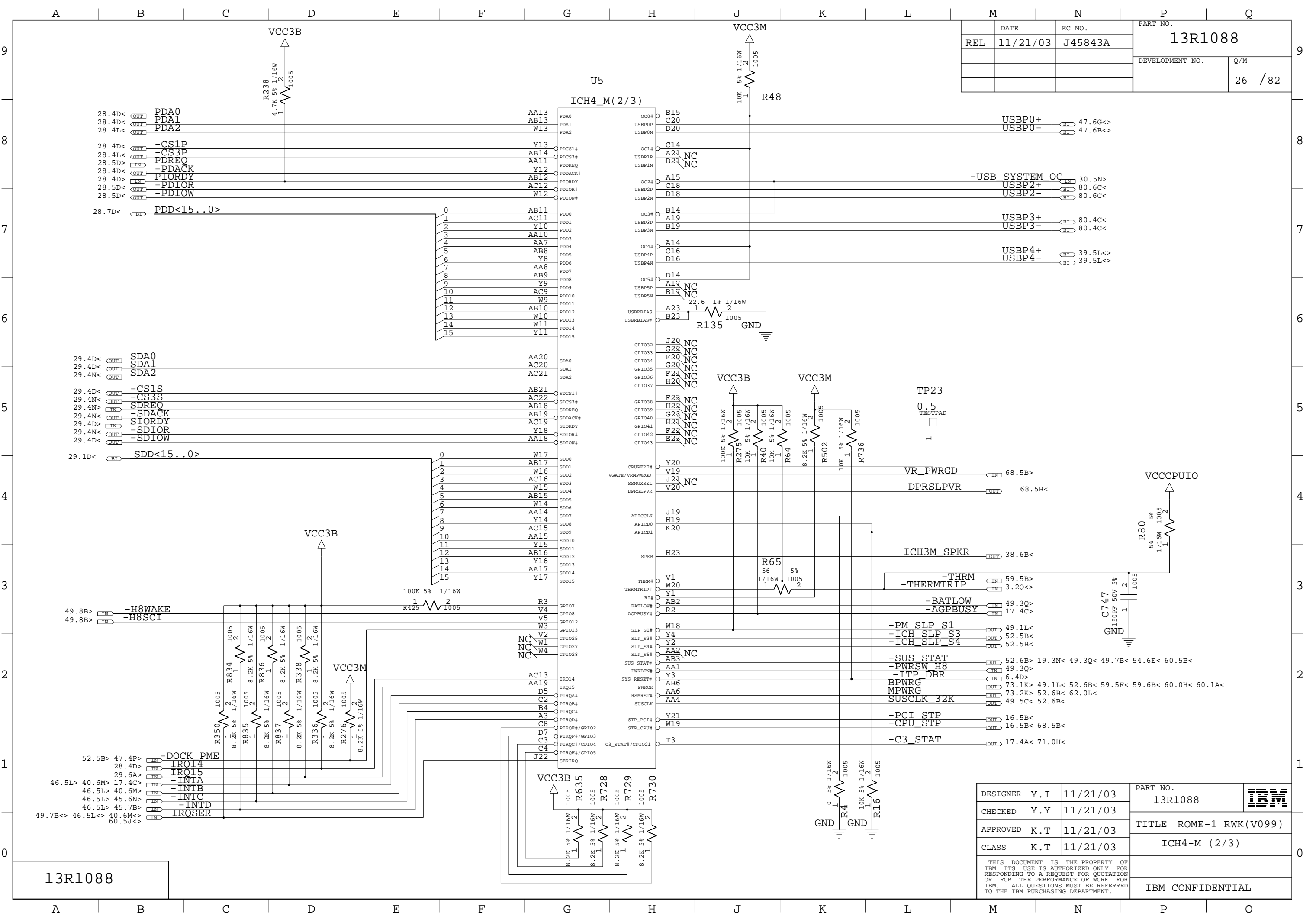


	-REQ/-GNT	PCI DEV#(IDSEL)
CARD BUS	0	0 (AD16)
GBE	1	1 (AD17)
DOCK	2	3 (AD19)
MINIPCI	3	2 (AD18)



INTRUDER#:
TO DETECT CRYPT CHIP CHG

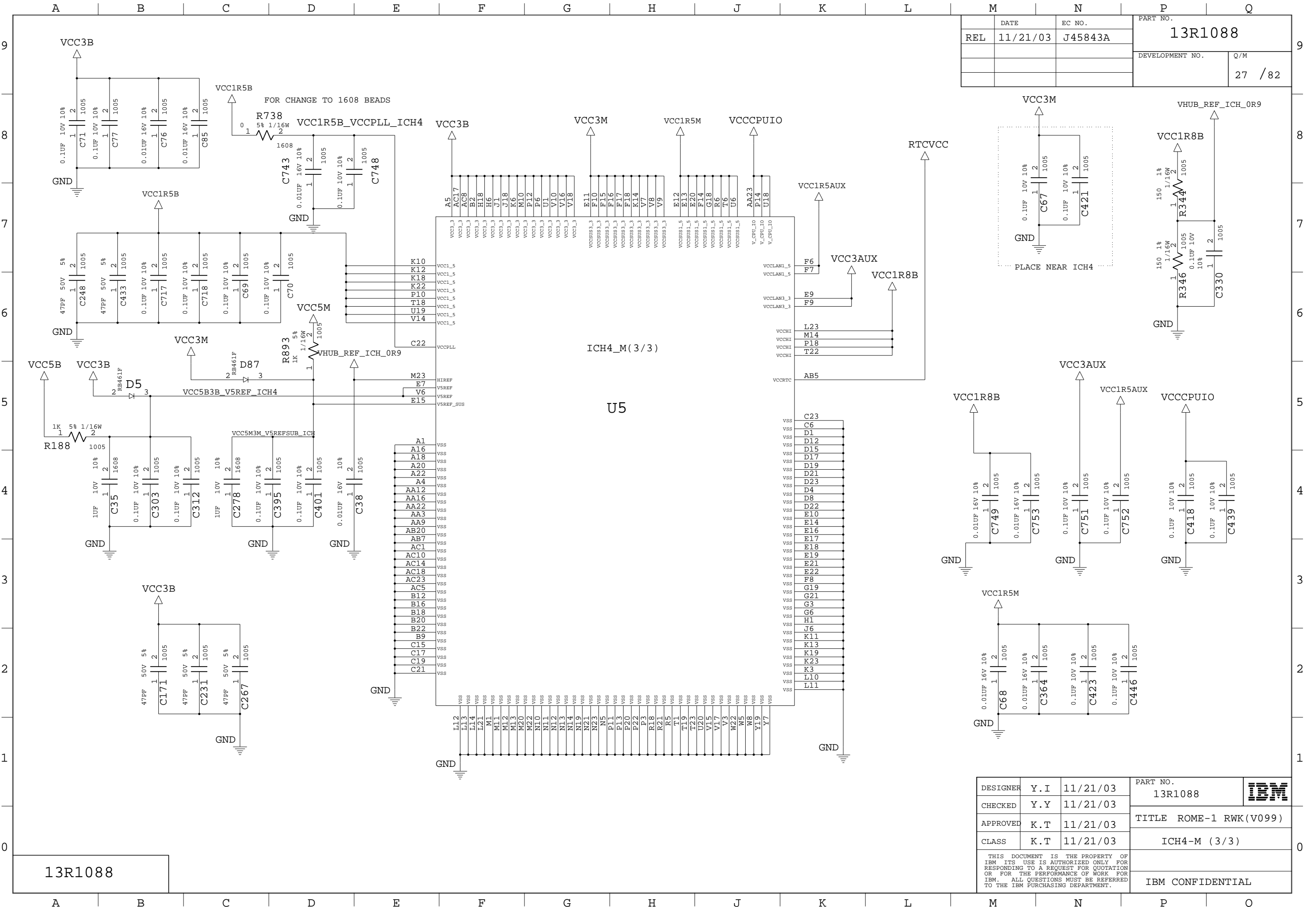
DESIGNER	Y.I	11/21/03	PART NO.	13R1088	
CHECKED	Y.Y	11/21/03	TITLE	ROME-1 RWK(V099)	
APPROVED	K.T	11/21/03		ICH4-M (1/3)	
CLASS	K.T	11/21/03		324PIN BGA	
THIS DOCUMENT IS THE PROPERTY OF IBM. ITS USE IS AUTHORIZED ONLY FOR RESPONDING TO A REQUEST FOR QUOTATION OR FOR THE PERFORMANCE OF WORK FOR IBM. ALL QUESTIONS MUST BE REFERRED TO THE IBM PURCHASING DEPARTMENT.					IBM CONFIDENTIAL



REL	DATE	EC NO.	PART NO.
	11/21/03	J45843A	13R1088
			DEVELOPMENT NO.
			Q/M
			26 / 82

13R1088

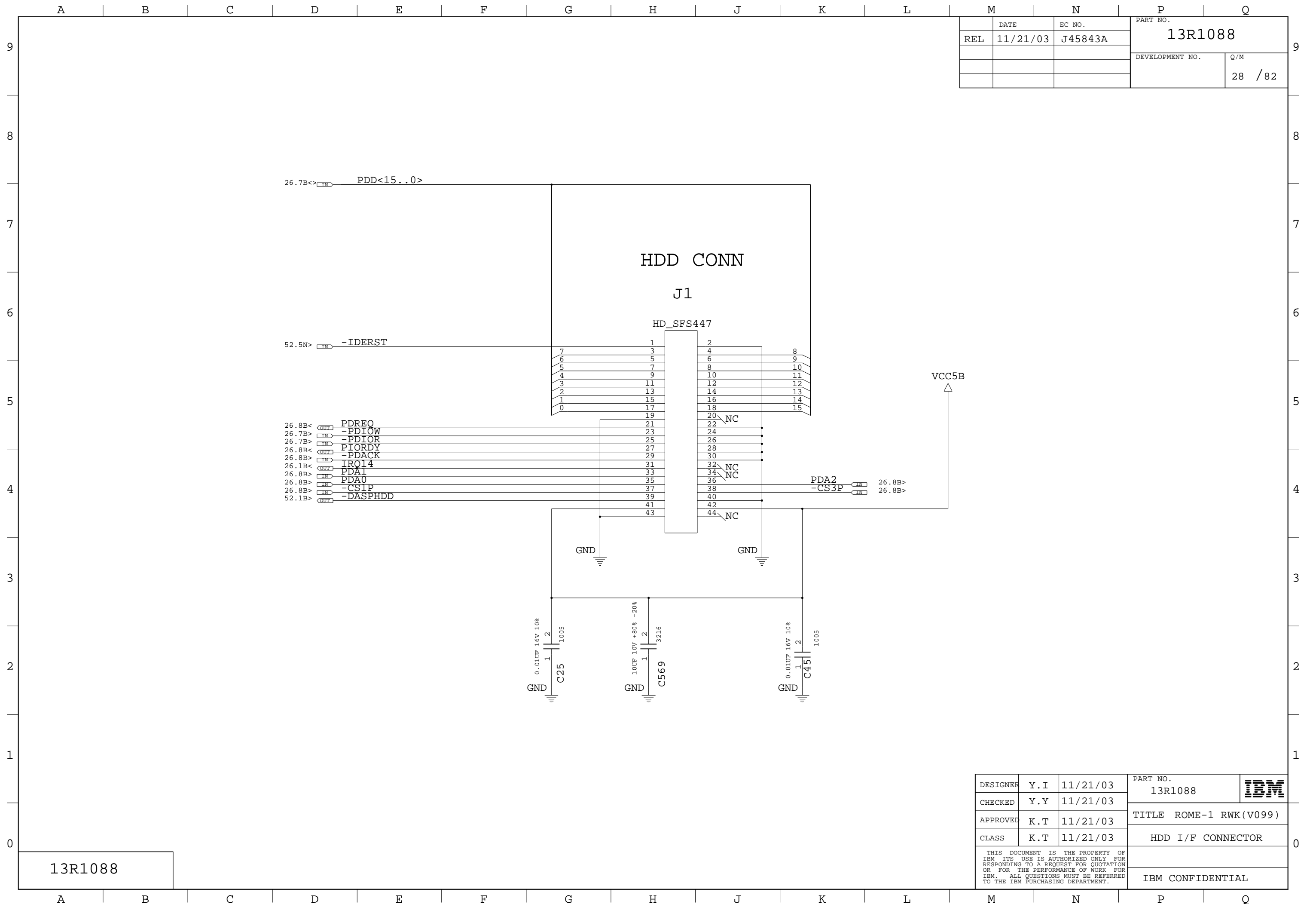
DESIGNER	Y.I	11/21/03	PART NO.	13R1088	IBM
CHECKED	Y.Y	11/21/03	TITLE		
APPROVED	K.T	11/21/03		ICH4-M (2/3)	
CLASS	K.T	11/21/03			
THIS DOCUMENT IS THE PROPERTY OF IBM. ITS USE IS AUTHORIZED ONLY FOR RESPONDING TO A REQUEST FOR QUOTATION OR FOR THE PERFORMANCE OF WORK FOR IBM. ALL QUESTIONS MUST BE REFERRED TO THE IBM PURCHASING DEPARTMENT.					IBM CONFIDENTIAL



REL	DATE	EC NO.	PART NO.
	11/21/03	J45843A	13R1088
			DEVELOPMENT NO.
			Q/M
			27 / 82

13R1088

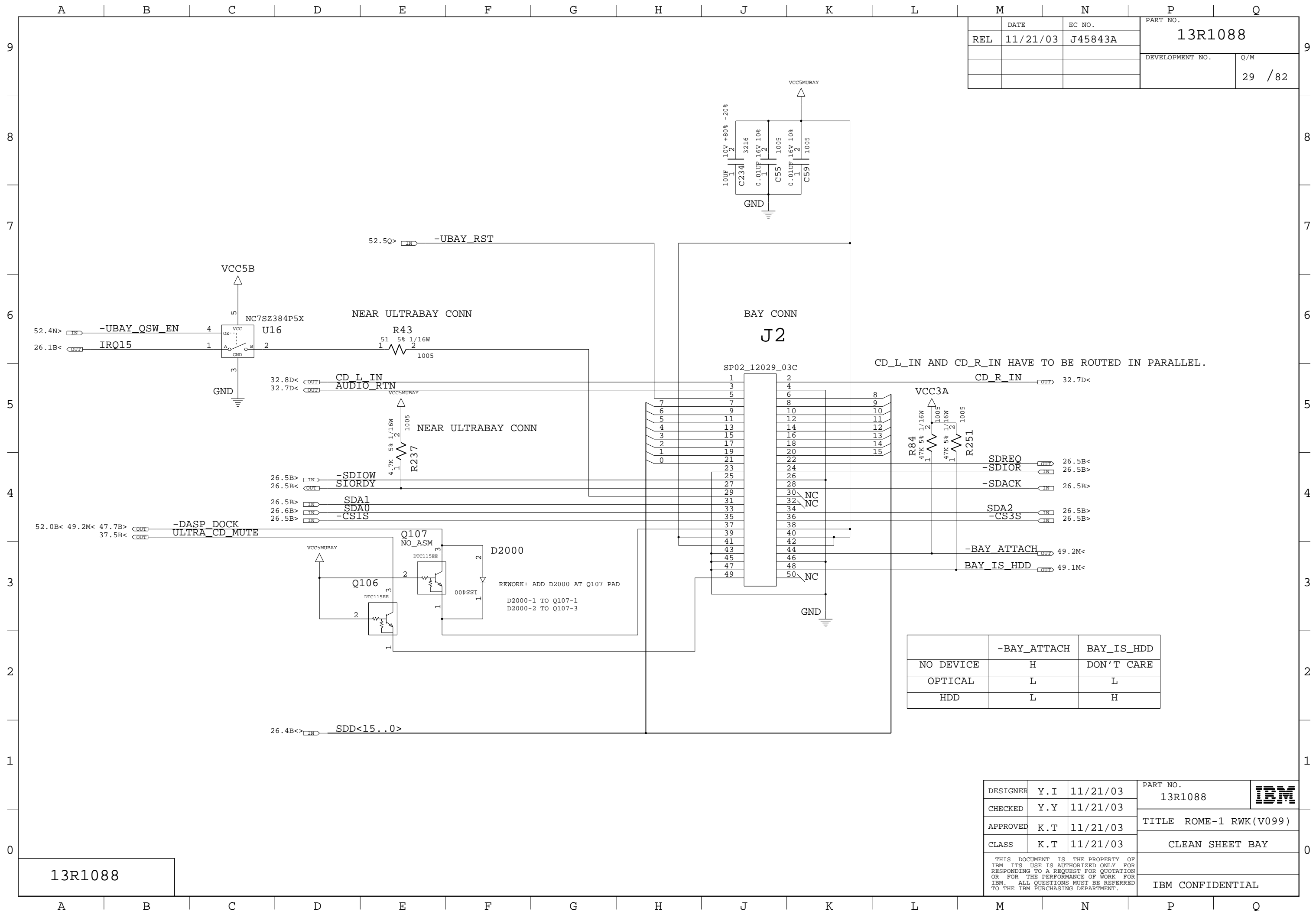
DESIGNER	Y. I	11/21/03	PART NO.	13R1088	IBM
CHECKED	Y. Y	11/21/03	TITLE		
APPROVED	K. T	11/21/03	CLASS	ICH4-M (3/3)	
THIS DOCUMENT IS THE PROPERTY OF IBM. ITS USE IS AUTHORIZED ONLY FOR RESPONDING TO A REQUEST FOR QUOTATION OR FOR THE PERFORMANCE OF WORK FOR IBM. ALL QUESTIONS MUST BE REFERRED TO THE IBM PURCHASING DEPARTMENT.				IBM CONFIDENTIAL	



	DATE	EC NO.	PART NO.	
REL	11/21/03	J45843A	13R1088	
			DEVELOPMENT NO.	Q/M
				28 / 82

13R1088

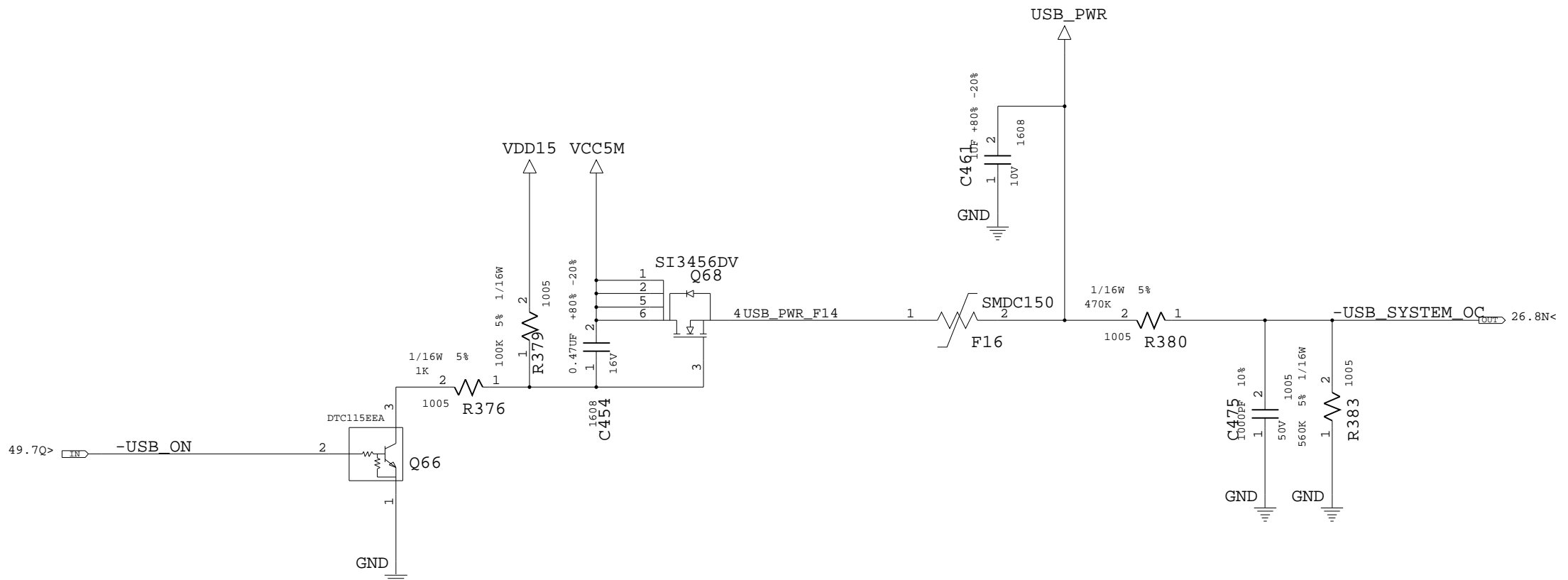
DESIGNER	Y.I	11/21/03	PART NO.	13R1088	
CHECKED	Y.Y	11/21/03			
APPROVED	K.T	11/21/03	TITLE ROME-1 RWK(V099)		
CLASS	K.T	11/21/03	HDD I/F CONNECTOR		
THIS DOCUMENT IS THE PROPERTY OF IBM ITS USE IS AUTHORIZED ONLY FOR RESPONDING TO A REQUEST FOR QUOTATION OR FOR THE PERFORMANCE OF WORK FOR IBM. ALL QUESTIONS MUST BE REFERRED TO THE IBM PURCHASING DEPARTMENT.					IBM CONFIDENTIAL



13R1088

DESIGNER	Y.I	11/21/03	PART NO.	13R1088	IBM
CHECKED	Y.Y	11/21/03	TITLE ROME-1 RWK(V099)		
APPROVED	K.T	11/21/03	CLEAN SHEET BAY		IBM CONFIDENTIAL
CLASS	K.T	11/21/03	THIS DOCUMENT IS THE PROPERTY OF IBM ITS USE IS AUTHORIZED ONLY FOR RESPONDING TO A REQUEST FOR QUOTATION OR FOR THE PERFORMANCE OF WORK FOR IBM. ALL QUESTIONS MUST BE REFERRED TO THE IBM PURCHASING DEPARTMENT.		

	DATE	EC NO.	PART NO.	
REL	11/21/03	J45843A	13R1088	
			DEVELOPMENT NO.	Q/M
				30 / 82

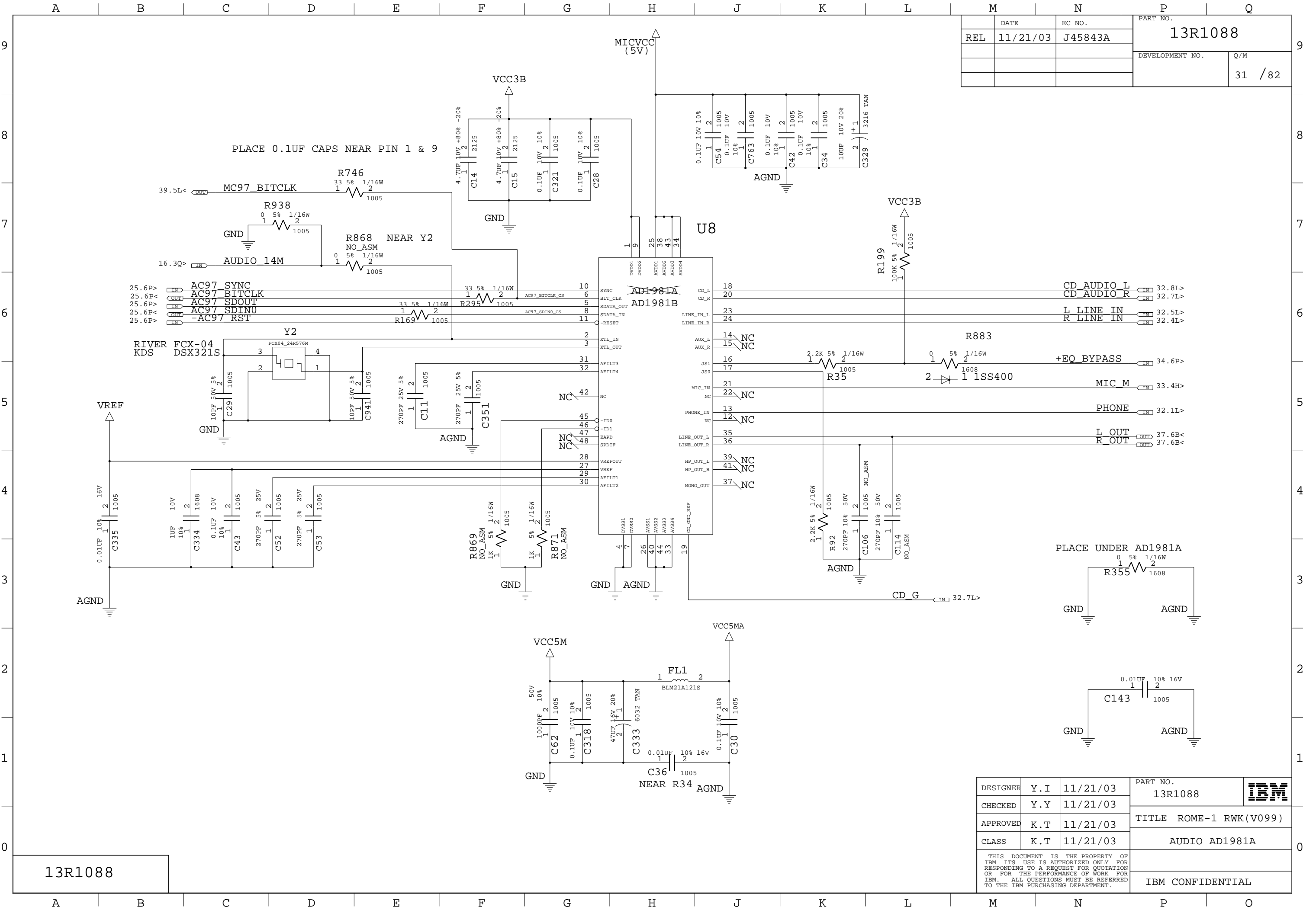


13R1088

DESIGNER	Y. I	11/21/03	PART NO.	13R1088	
CHECKED	Y. Y	11/21/03	TITLE		
APPROVED	K. T	11/21/03	USB INTERFACE		
CLASS	K. T	11/21/03	IBM CONFIDENTIAL		

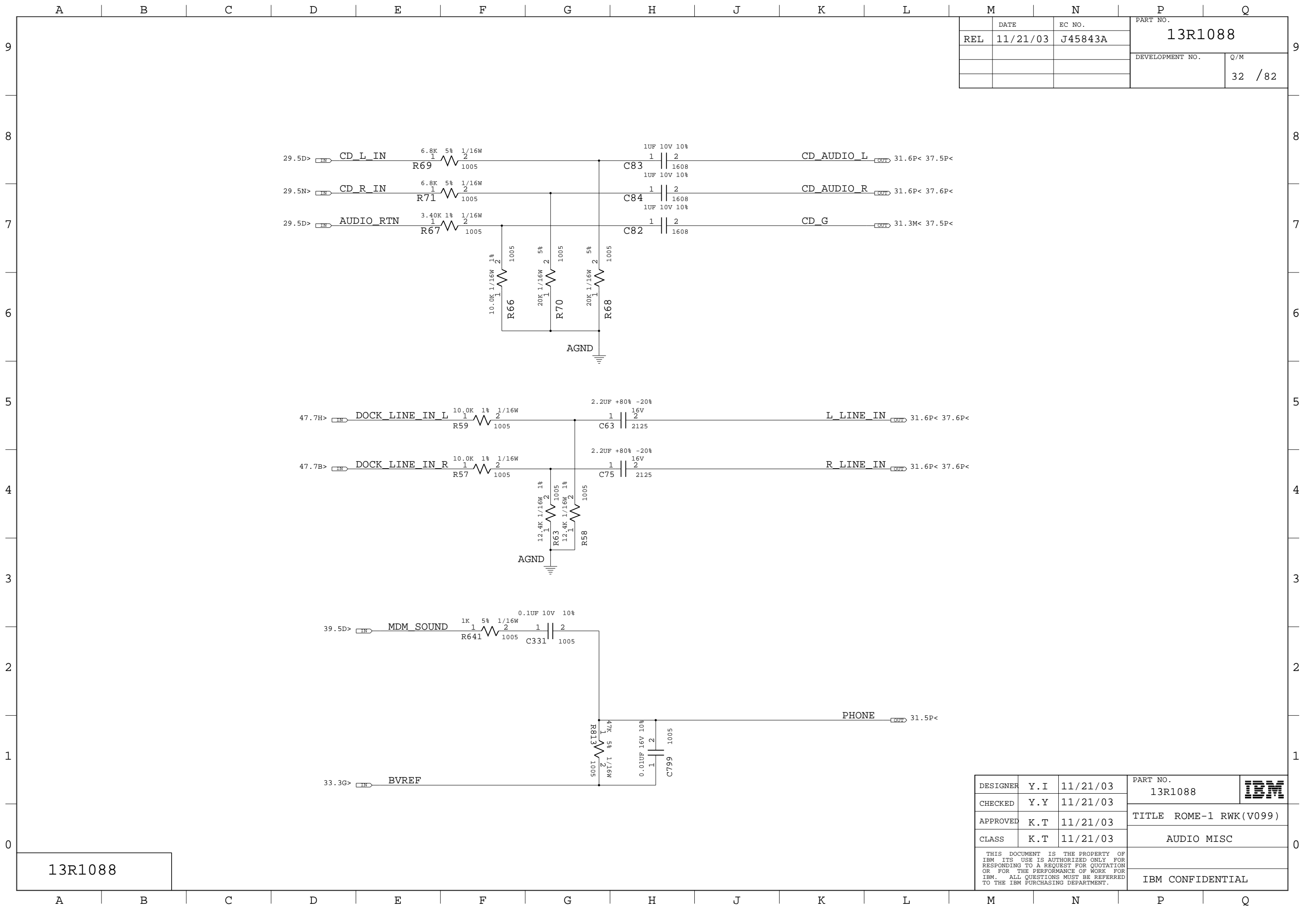
THIS DOCUMENT IS THE PROPERTY OF IBM. ITS USE IS AUTHORIZED ONLY FOR RESPONDING TO A REQUEST FOR QUOTATION OR FOR THE PERFORMANCE OF WORK FOR IBM. ALL QUESTIONS MUST BE REFERRED TO THE IBM PURCHASING DEPARTMENT.

REL	DATE	EC NO.	PART NO.
	11/21/03	J45843A	13R1088
			DEVELOPMENT NO.
			Q/M
			31 / 82



13R1088

DESIGNER	Y.I	11/21/03	PART NO.	13R1088	
CHECKED	Y.Y	11/21/03			
APPROVED	K.T	11/21/03	TITLE ROME-1 RWK(V099)		
CLASS	K.T	11/21/03	AUDIO AD1981A		
THIS DOCUMENT IS THE PROPERTY OF IBM ITS USE IS AUTHORIZED ONLY FOR RESPONDING TO A REQUEST FOR QUOTATION OR FOR THE PERFORMANCE OF WORK FOR IBM. ALL QUESTIONS MUST BE REFERRED TO THE IBM PURCHASING DEPARTMENT.					IBM CONFIDENTIAL

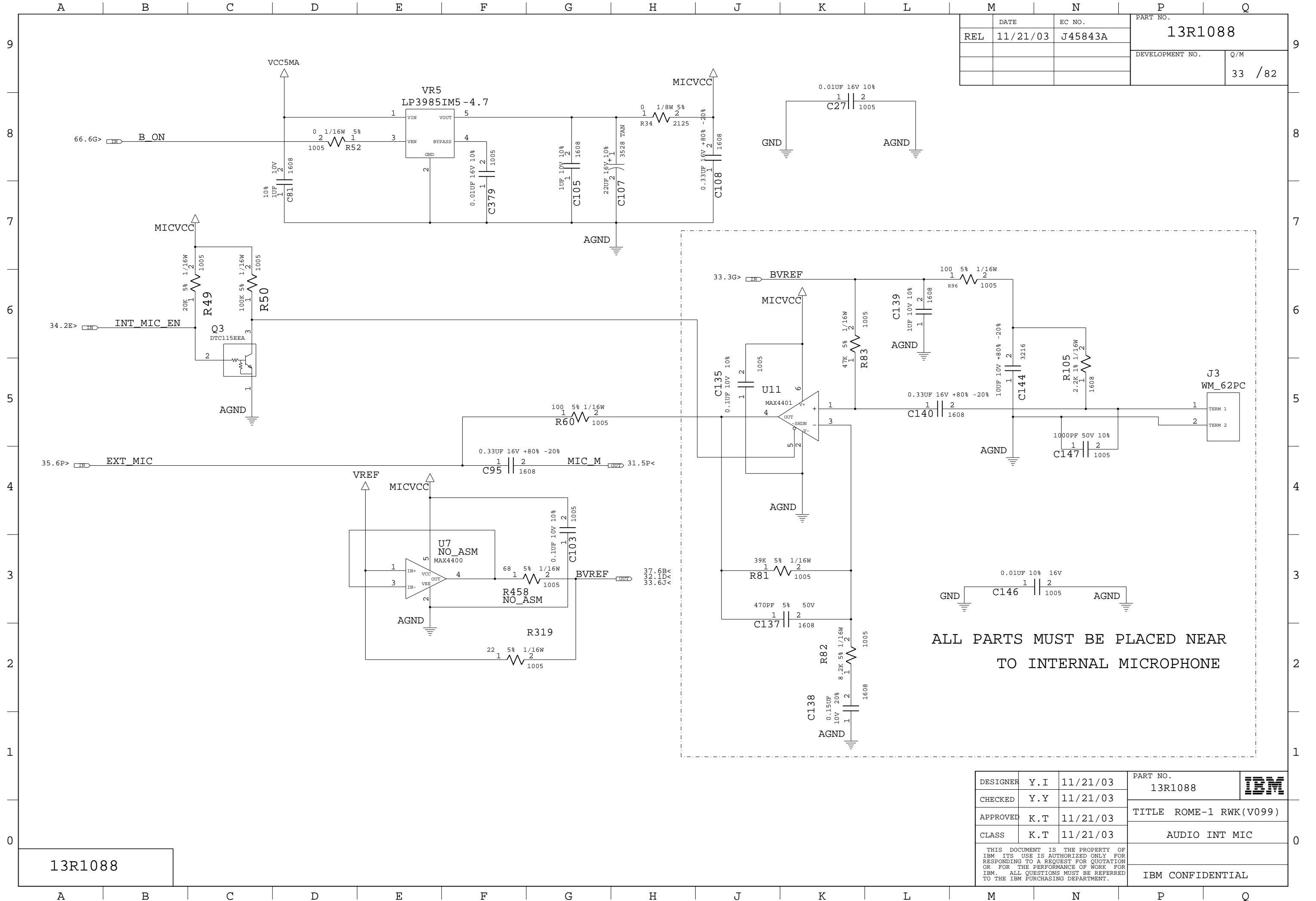


	DATE	EC NO.	PART NO.	
REL	11/21/03	J45843A	13R1088	
			DEVELOPMENT NO.	Q/M
				32 / 82

13R1088

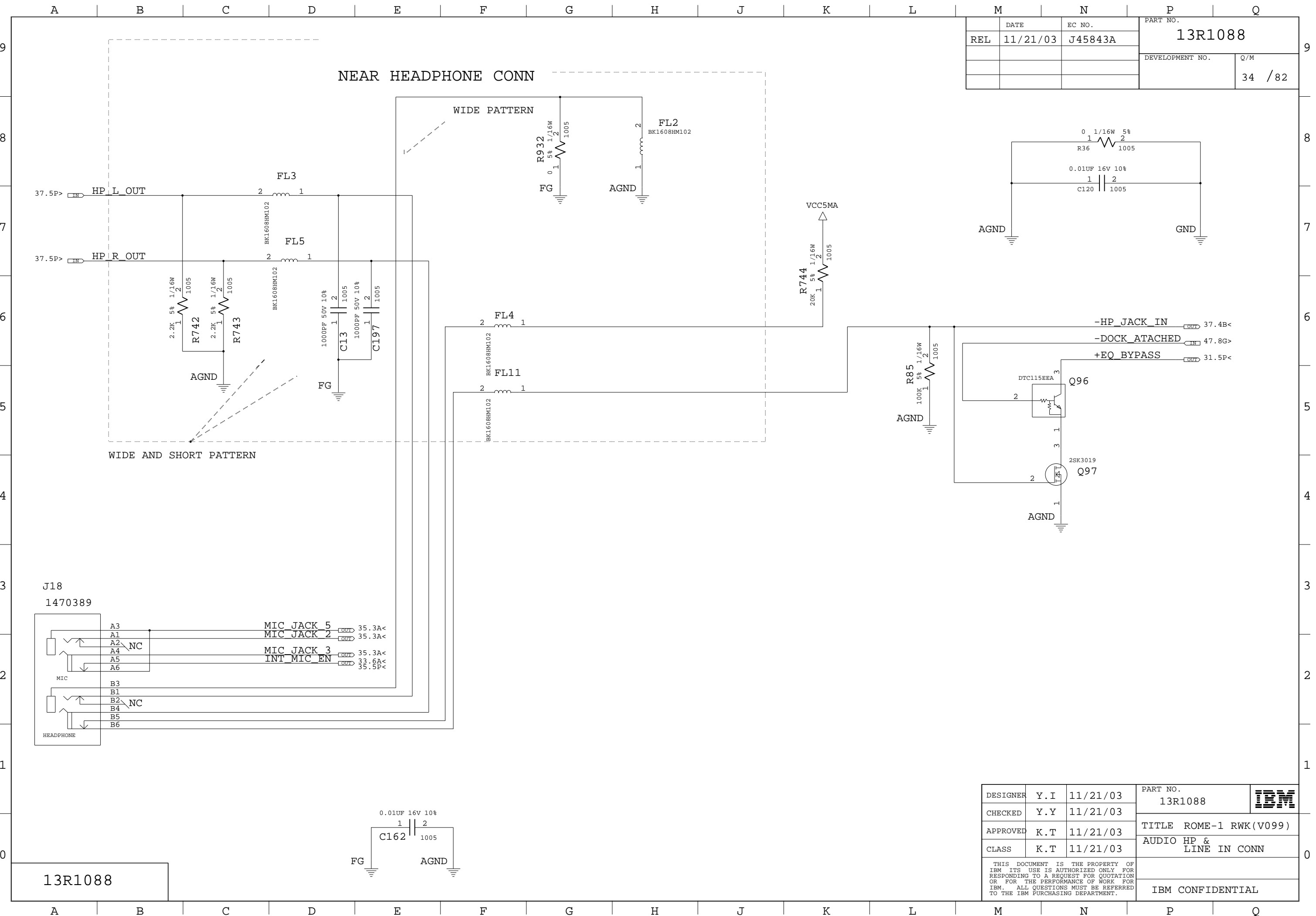
DESIGNER	Y. I	11/21/03	PART NO.	13R1088	IBM
CHECKED	Y. Y	11/21/03	TITLE		
APPROVED	K. T	11/21/03	CLASS	AUDIO MISC	
			THIS DOCUMENT IS THE PROPERTY OF IBM ITS USE IS AUTHORIZED ONLY FOR RESPONDING TO A REQUEST FOR QUOTATION OR FOR THE PERFORMANCE OF WORK FOR IBM. ALL QUESTIONS MUST BE REFERRED TO THE IBM PURCHASING DEPARTMENT.		
			IBM CONFIDENTIAL		

	DATE	EC NO.	PART NO.
REL	11/21/03	J45843A	13R1088
			DEVELOPMENT NO.
			Q/M
			33 / 82



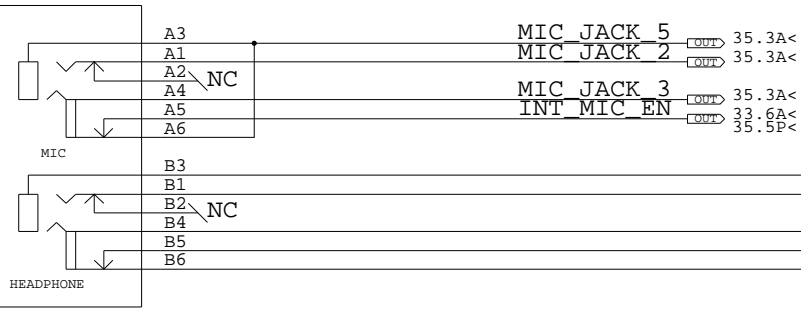
13R1088

DESIGNER	Y.I	11/21/03	PART NO.	13R1088	
CHECKED	Y.Y	11/21/03	TITLE		
APPROVED	K.T	11/21/03		AUDIO INT MIC	
CLASS	K.T	11/21/03			
THIS DOCUMENT IS THE PROPERTY OF IBM ITS USE IS AUTHORIZED ONLY FOR RESPONDING TO A REQUEST FOR QUOTATION OR FOR THE PERFORMANCE OF WORK FOR IBM. ALL QUESTIONS MUST BE REFERRED TO THE IBM PURCHASING DEPARTMENT.				IBM CONFIDENTIAL	



	DATE	EC NO.	PART NO.	
REL	11/21/03	J45843A	13R1088	
			DEVELOPMENT NO.	Q/M
				34 / 82

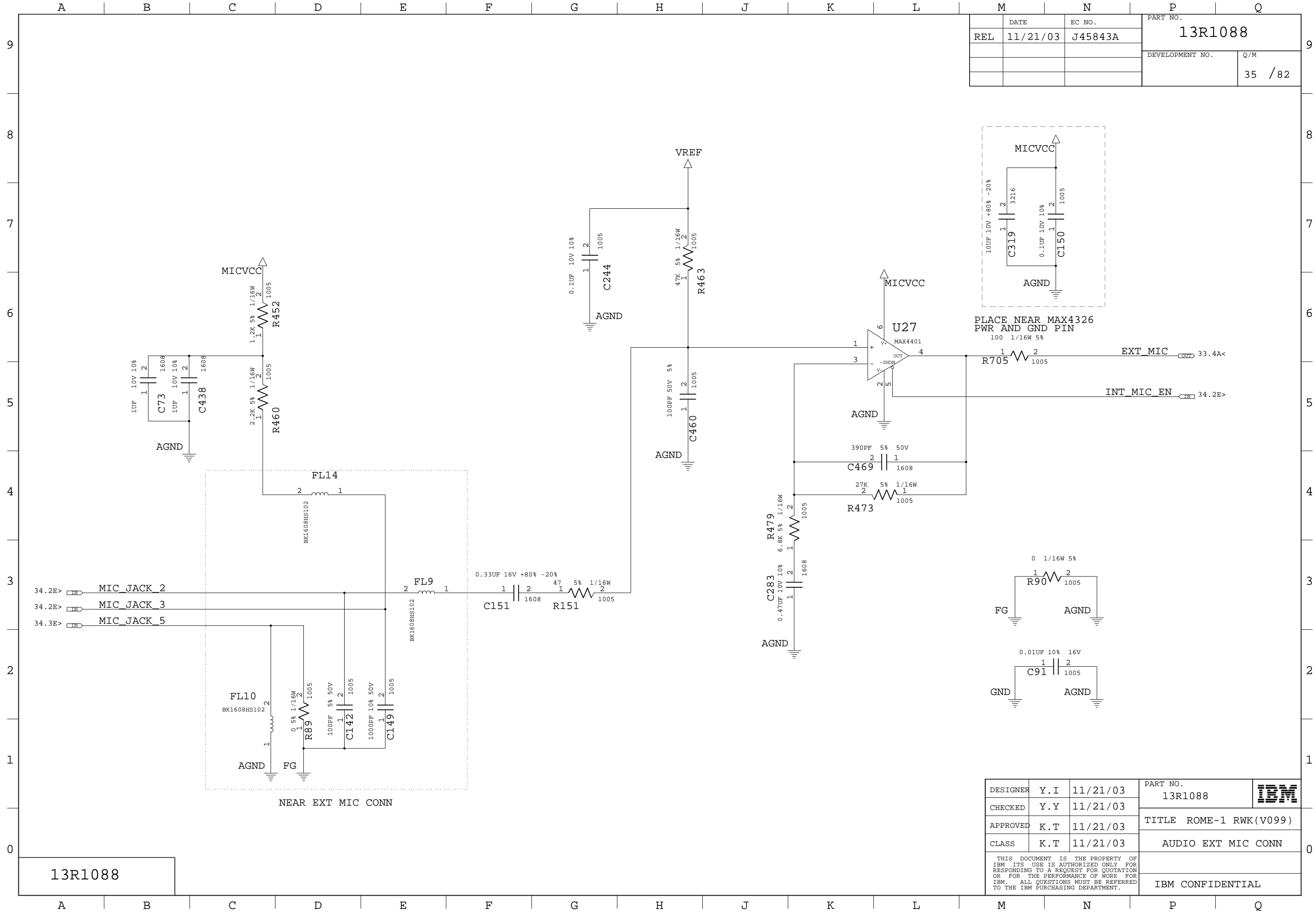
J18
1470389



13R1088

DESIGNER	Y.I	11/21/03	PART NO.	13R1088	
CHECKED	Y.Y	11/21/03			
APPROVED	K.T	11/21/03	TITLE ROME-1 RWK(V099)		
CLASS	K.T	11/21/03	AUDIO HP & LINE IN CONN		
THIS DOCUMENT IS THE PROPERTY OF IBM ITS USE IS AUTHORIZED ONLY FOR RESPONDING TO A REQUEST FOR QUOTATION OR FOR THE PERFORMANCE OF WORK FOR IBM. ALL QUESTIONS MUST BE REFERRED TO THE IBM PURCHASING DEPARTMENT.					IBM CONFIDENTIAL

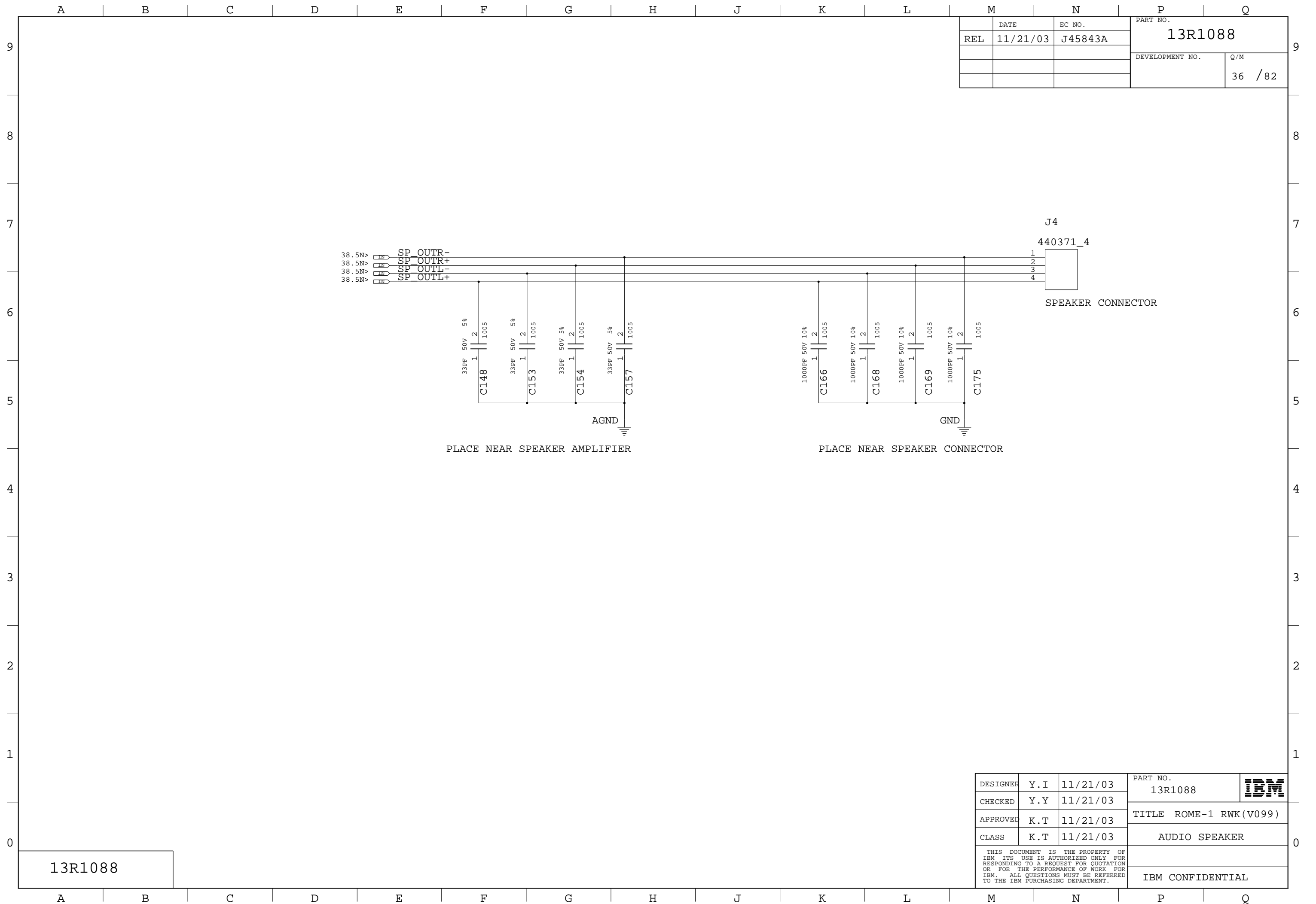
	DATE	EC NO.	PART NO.	
REL	11/21/03	J45843A	13R1088	
			DEVELOPMENT NO.	Q/M
				35 / 82



DESIGNER	Y. I	11/21/03	PART NO.	13R1088	IBM
CHECKED	Y. Y	11/21/03	TITLE		
APPROVED	K. T	11/21/03	AUDIO EXT MIC CONN		
CLASS	K. T	11/21/03	IBM CONFIDENTIAL		

THIS DOCUMENT IS THE PROPERTY OF IBM. ITS USE IS AUTHORIZED ONLY FOR RESPONDING TO A REQUEST FOR QUOTATION OR FOR THE PERFORMANCE OF WORK FOR IBM. ALL QUESTIONS MUST BE REFERRED TO THE IBM PURCHASING DEPARTMENT.

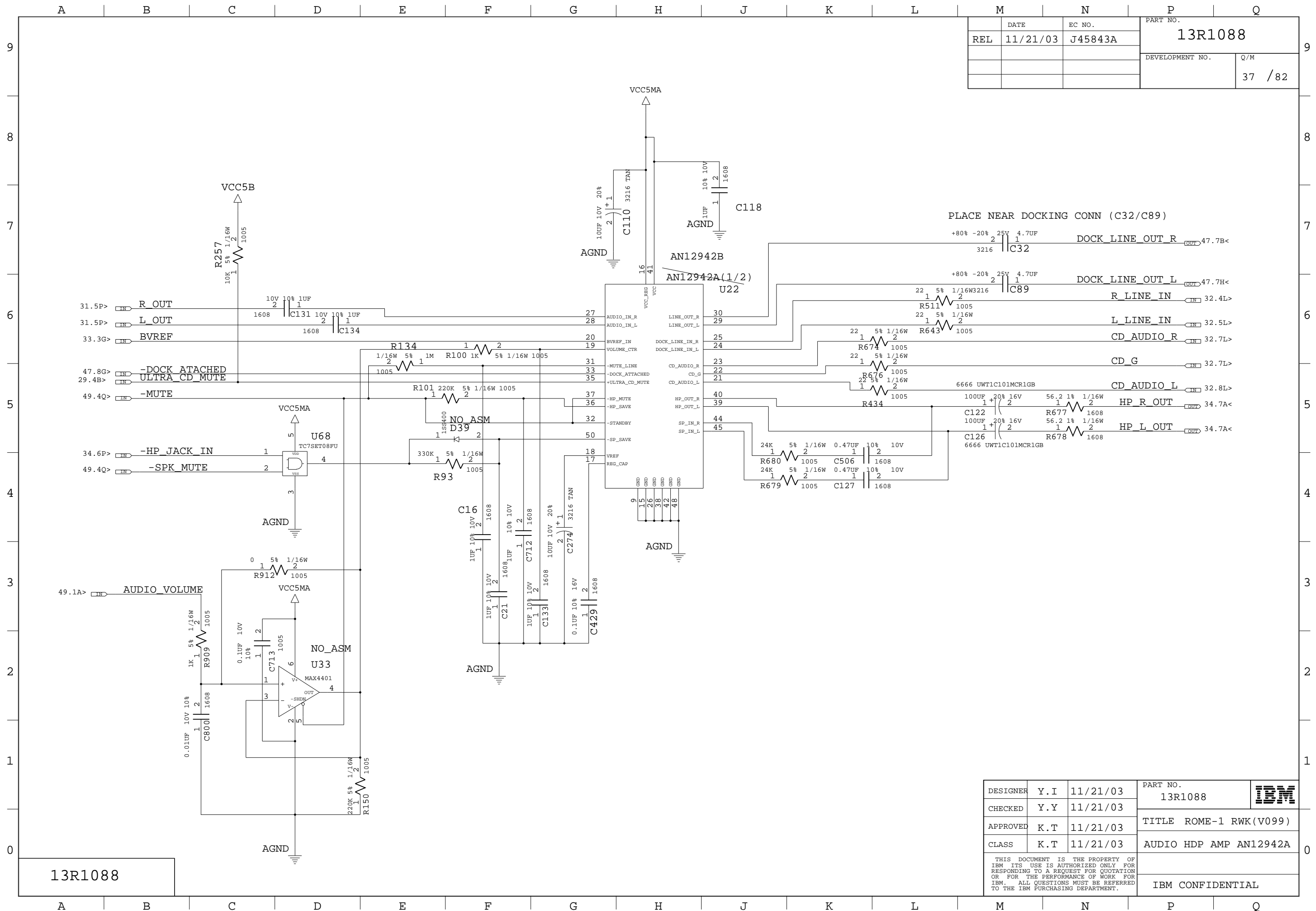
13R1088



	DATE	EC NO.	PART NO.	
REL	11/21/03	J45843A	13R1088	
			DEVELOPMENT NO.	Q/M
				36 / 82

13R1088

DESIGNER	Y. I	11/21/03	PART NO.	13R1088	IBM
CHECKED	Y. Y	11/21/03			
APPROVED	K. T	11/21/03	TITLE ROME-1 RWK(V099)		
CLASS	K. T	11/21/03	AUDIO SPEAKER		
THIS DOCUMENT IS THE PROPERTY OF IBM ITS USE IS AUTHORIZED ONLY FOR RESPONDING TO A REQUEST FOR QUOTATION OR FOR THE PERFORMANCE OF WORK FOR IBM. ALL QUESTIONS MUST BE REFERRED TO THE IBM PURCHASING DEPARTMENT.				IBM CONFIDENTIAL	



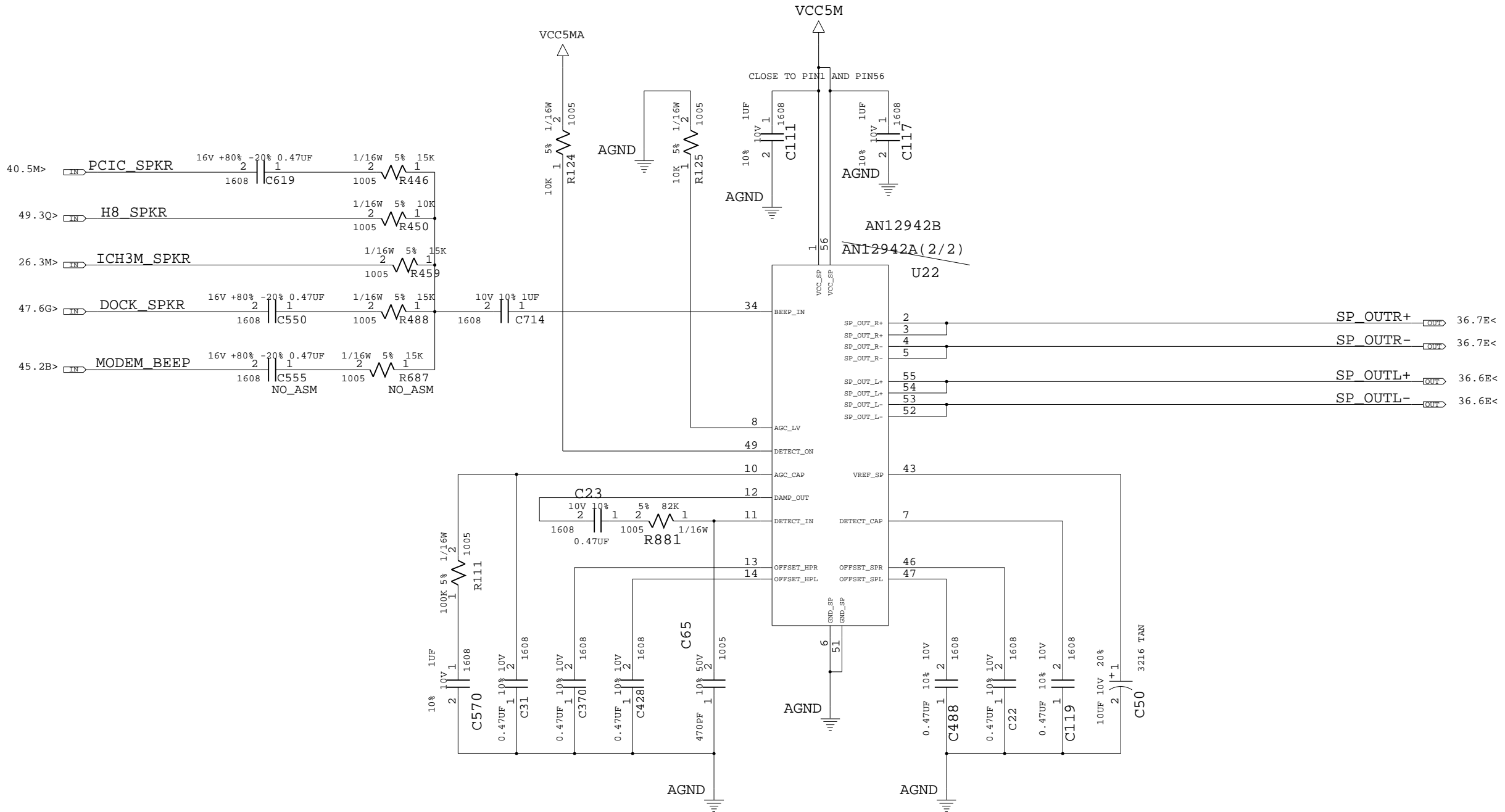
REL	DATE	EC NO.	PART NO.
	11/21/03	J45843A	13R1088
			DEVELOPMENT NO.
			Q/M
			37 / 82

PLACE NEAR DOCKING CONN (C32/C89)

13R1088

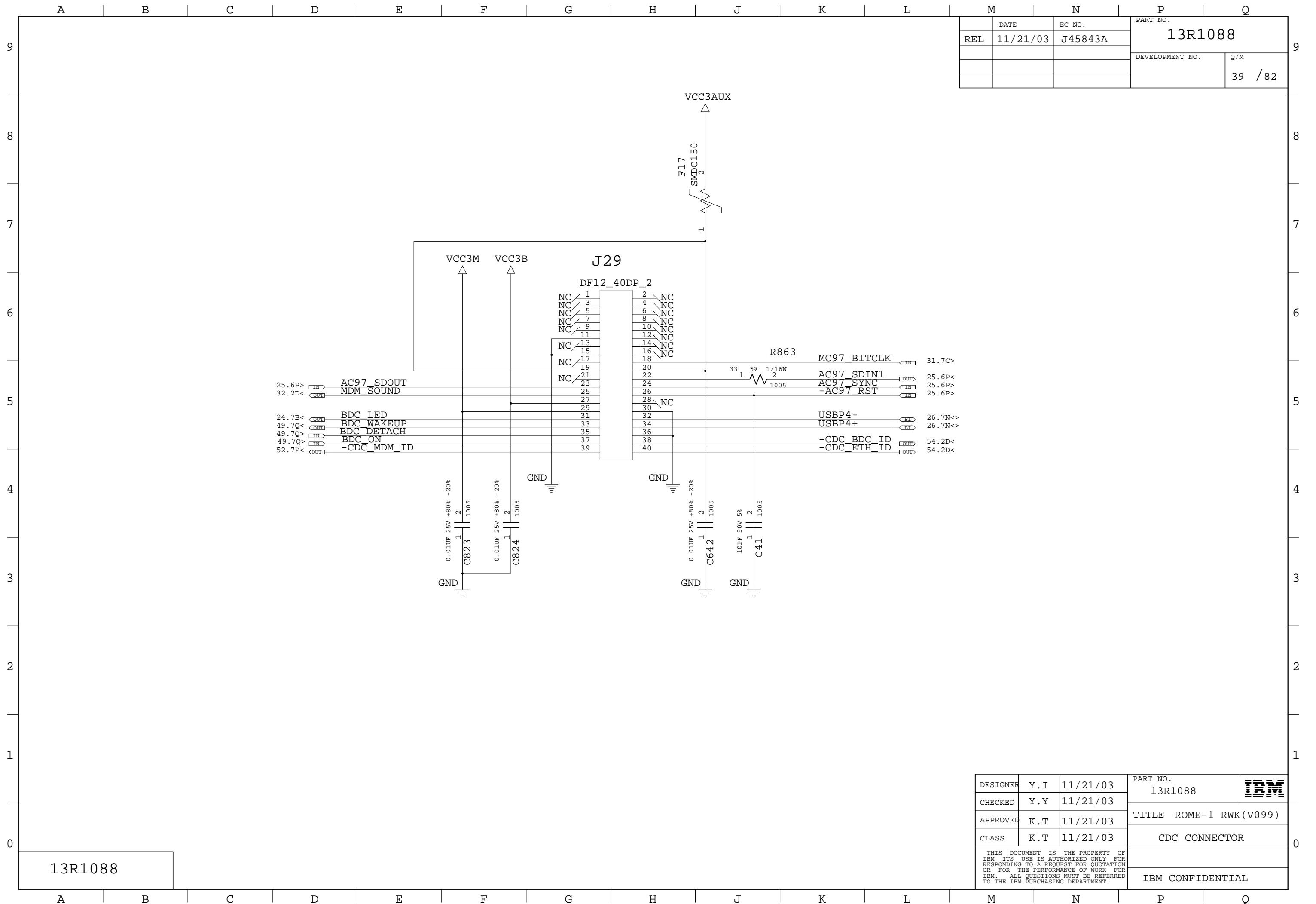
DESIGNER	Y.I	11/21/03	PART NO.	13R1088	
CHECKED	Y.Y	11/21/03	TITLE		
APPROVED	K.T	11/21/03	CLASS	AUDIO HDP AMP AN12942A	
THIS DOCUMENT IS THE PROPERTY OF IBM ITS USE IS AUTHORIZED ONLY FOR RESPONDING TO A REQUEST FOR QUOTATION OR FOR THE PERFORMANCE OF WORK FOR IBM. ALL QUESTIONS MUST BE REFERRED TO THE IBM PURCHASING DEPARTMENT.				IBM CONFIDENTIAL	

	DATE	EC NO.	PART NO.	
REL	11/21/03	J45843A	13R1088	
			DEVELOPMENT NO.	Q/M
				38 / 82



13R1088

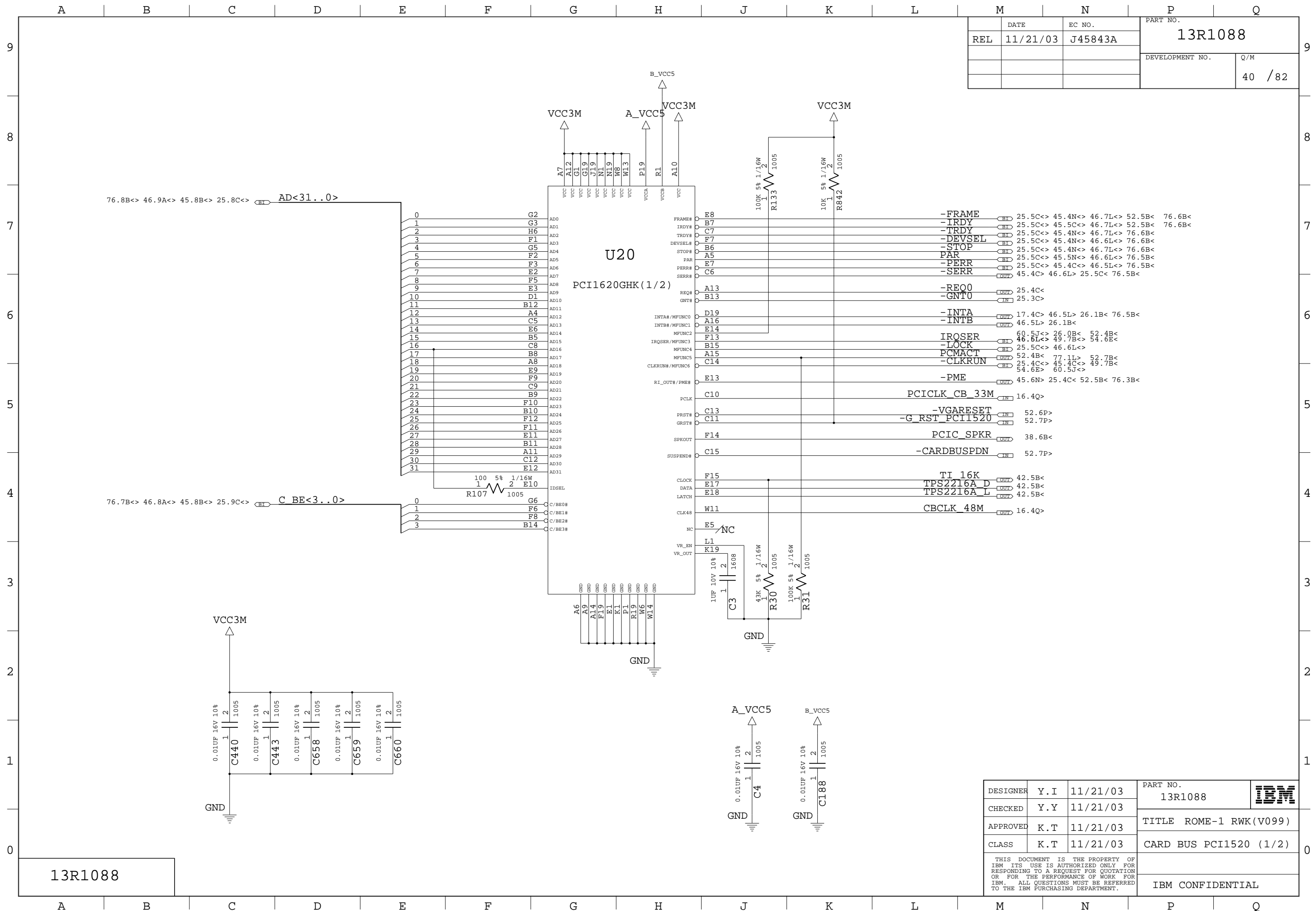
DESIGNER	Y.I	11/21/03	PART NO.	13R1088	IBM
CHECKED	Y.Y	11/21/03	TITLE		
APPROVED	K.T	11/21/03	CLASS	AUDIO HDP AMP AN12942A	
THIS DOCUMENT IS THE PROPERTY OF IBM ITS USE IS AUTHORIZED ONLY FOR RESPONDING TO A REQUEST FOR QUOTATION OR FOR THE PERFORMANCE OF WORK FOR IBM. ALL QUESTIONS MUST BE REFERRED TO THE IBM PURCHASING DEPARTMENT.				IBM CONFIDENTIAL	



	DATE	EC NO.	PART NO.	
REL	11/21/03	J45843A	13R1088	
			DEVELOPMENT NO.	Q/M
				39 / 82

13R1088

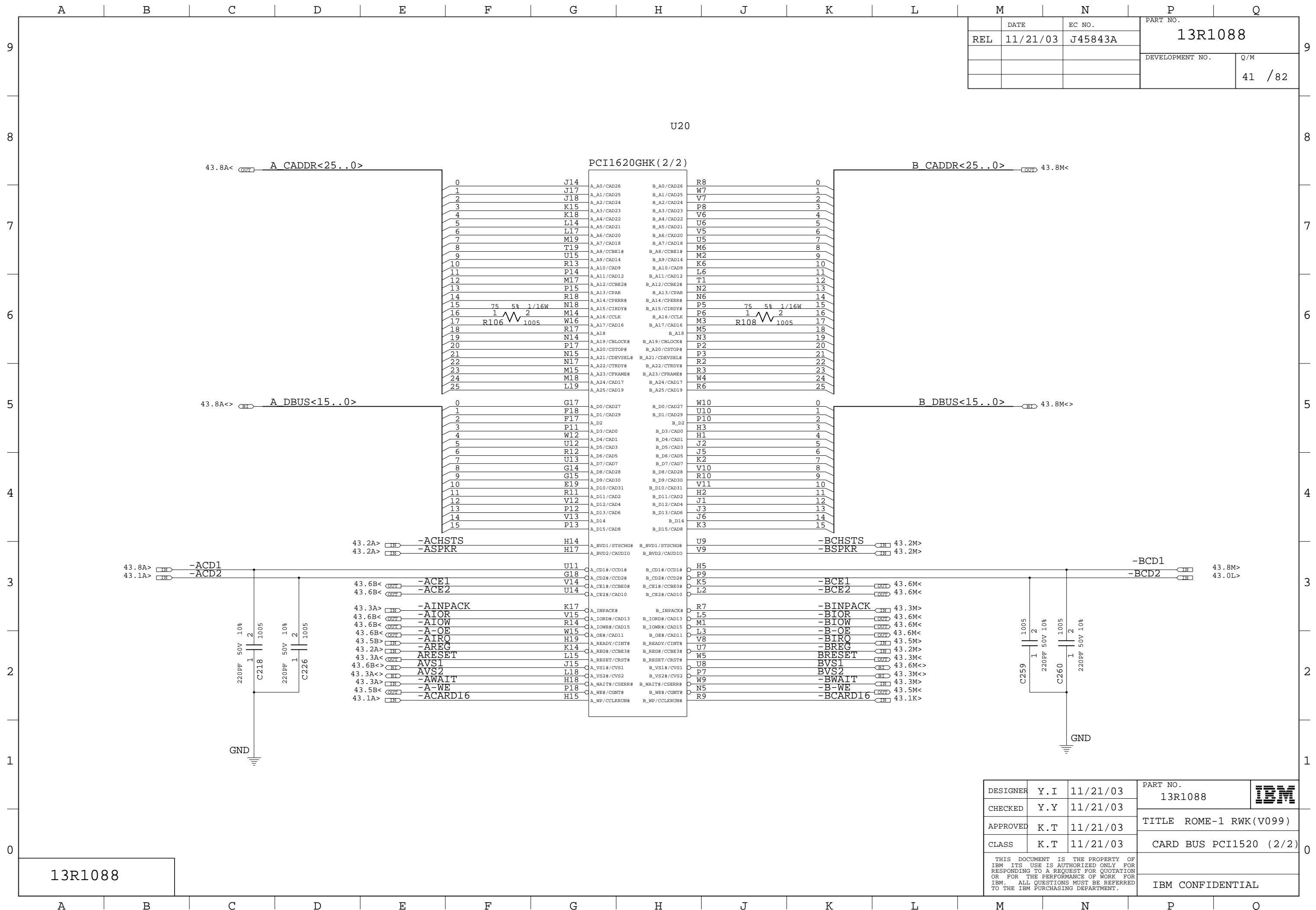
DESIGNER	Y. I	11/21/03	PART NO.	13R1088	
CHECKED	Y. Y	11/21/03			
APPROVED	K. T	11/21/03	TITLE ROME-1 RWK(V099)		
CLASS	K. T	11/21/03	CDC CONNECTOR		
THIS DOCUMENT IS THE PROPERTY OF IBM. ITS USE IS AUTHORIZED ONLY FOR RESPONDING TO A REQUEST FOR QUOTATION OR FOR THE PERFORMANCE OF WORK FOR IBM. ALL QUESTIONS MUST BE REFERRED TO THE IBM PURCHASING DEPARTMENT.					IBM CONFIDENTIAL



	DATE	EC NO.	PART NO.	
REL	11/21/03	J45843A	13R1088	
			DEVELOPMENT NO.	Q/M
				40 / 82

13R1088

DESIGNER	Y.I	11/21/03	PART NO.	13R1088	
CHECKED	Y.Y	11/21/03	TITLE		
APPROVED	K.T	11/21/03	CLASS	CARD BUS PCI1520 (1/2)	
THIS DOCUMENT IS THE PROPERTY OF IBM. ITS USE IS AUTHORIZED ONLY FOR RESPONDING TO A REQUEST FOR QUOTATION OR FOR THE PERFORMANCE OF WORK FOR IBM. ALL QUESTIONS MUST BE REFERRED TO THE IBM PURCHASING DEPARTMENT.				IBM CONFIDENTIAL	



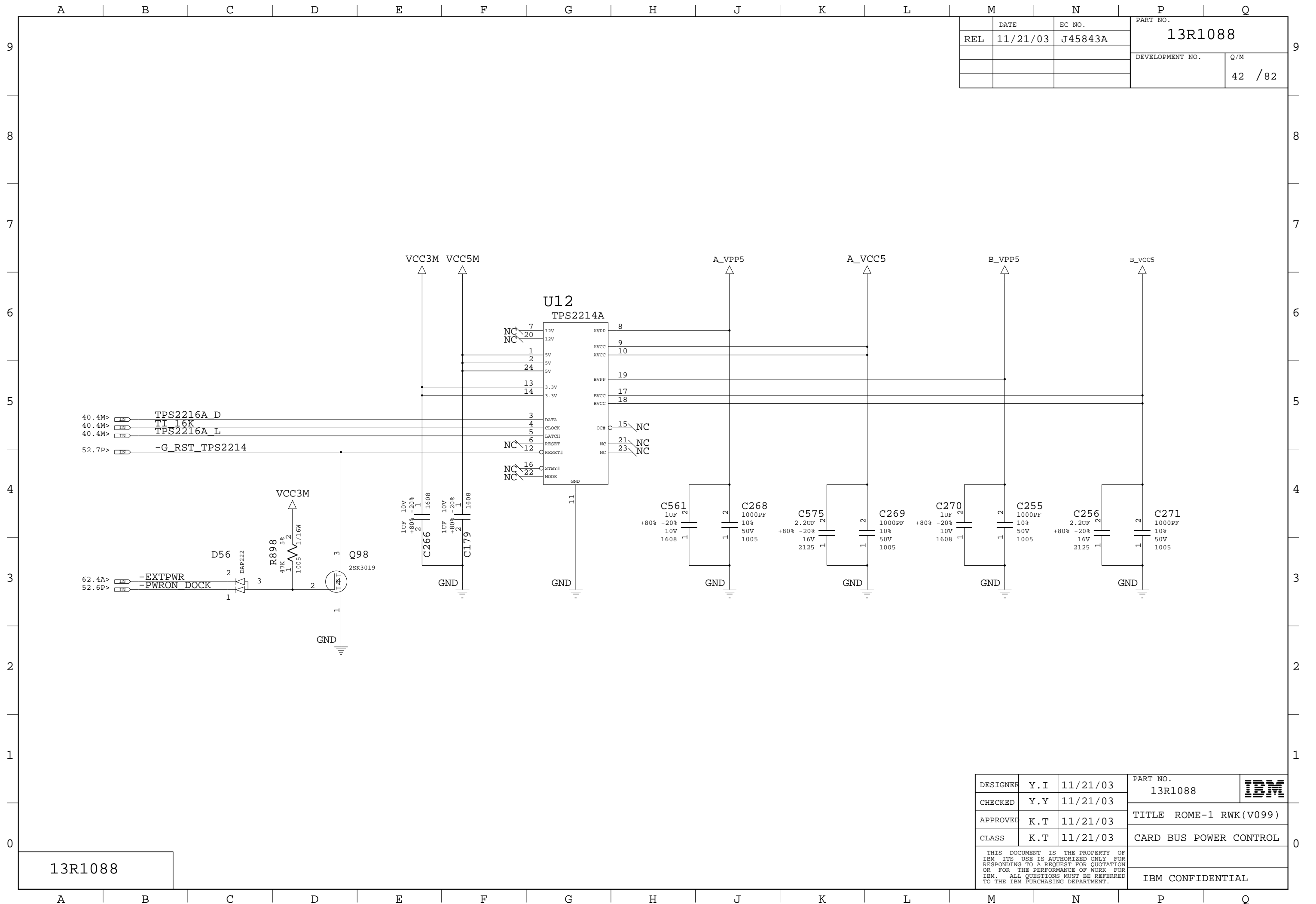
REL	DATE	EC NO.	PART NO.	
	11/21/03	J45843A	13R1088	
			DEVELOPMENT NO.	Q/M
				41 / 82

U20

PCI1620GHK (2/2)

13R1088

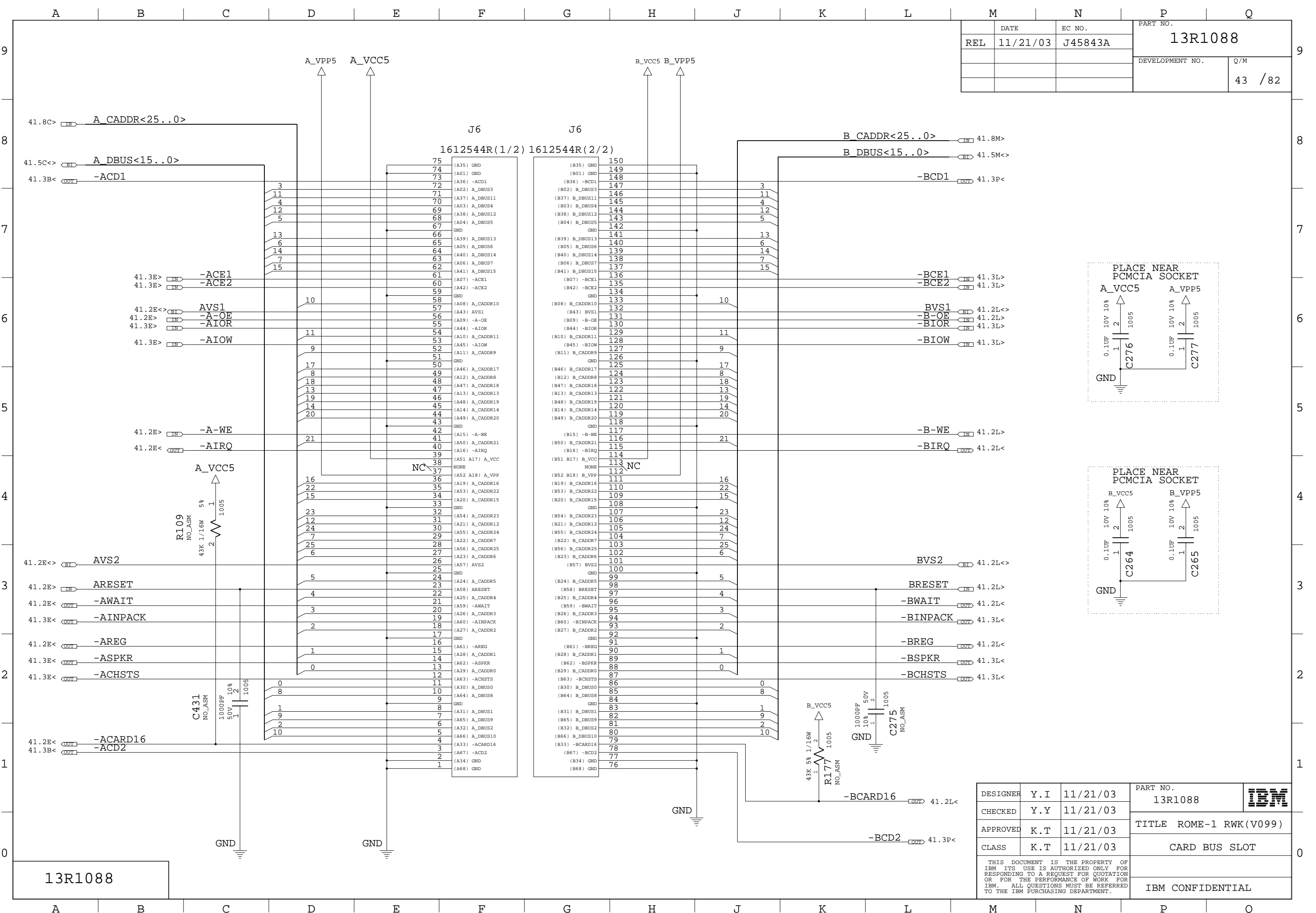
DESIGNER	Y.I	11/21/03	PART NO.	13R1088	
CHECKED	Y.Y	11/21/03	TITLE		
APPROVED	K.T	11/21/03	CLASS	KARD BUS PCI1520 (2/2)	
THIS DOCUMENT IS THE PROPERTY OF IBM ITS USE IS AUTHORIZED ONLY FOR RESPONDING TO A REQUEST FOR QUOTATION OR FOR THE PERFORMANCE OF WORK FOR IBM. ALL QUESTIONS MUST BE REFERRED TO THE IBM PURCHASING DEPARTMENT.				IBM CONFIDENTIAL	



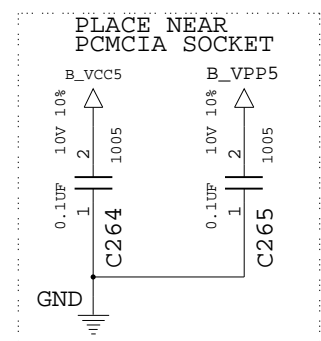
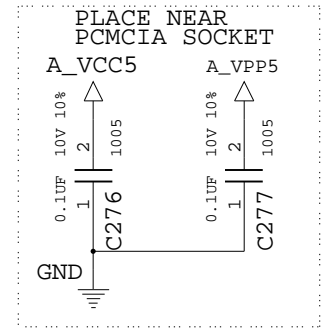
	DATE	EC NO.	PART NO.	
REL	11/21/03	J45843A	13R1088	
			DEVELOPMENT NO.	Q/M
				42 / 82

13R1088

DESIGNER	Y. I	11/21/03	PART NO.	13R1088	
CHECKED	Y. Y	11/21/03	TITLE		
APPROVED	K. T	11/21/03	CLASS	K. T	11/21/03
				CARD BUS POWER CONTROL	
				THIS DOCUMENT IS THE PROPERTY OF IBM. ITS USE IS AUTHORIZED ONLY FOR RESPONDING TO A REQUEST FOR QUOTATION OR FOR THE PERFORMANCE OF WORK FOR IBM. ALL QUESTIONS MUST BE REFERRED TO THE IBM PURCHASING DEPARTMENT.	
				IBM CONFIDENTIAL	

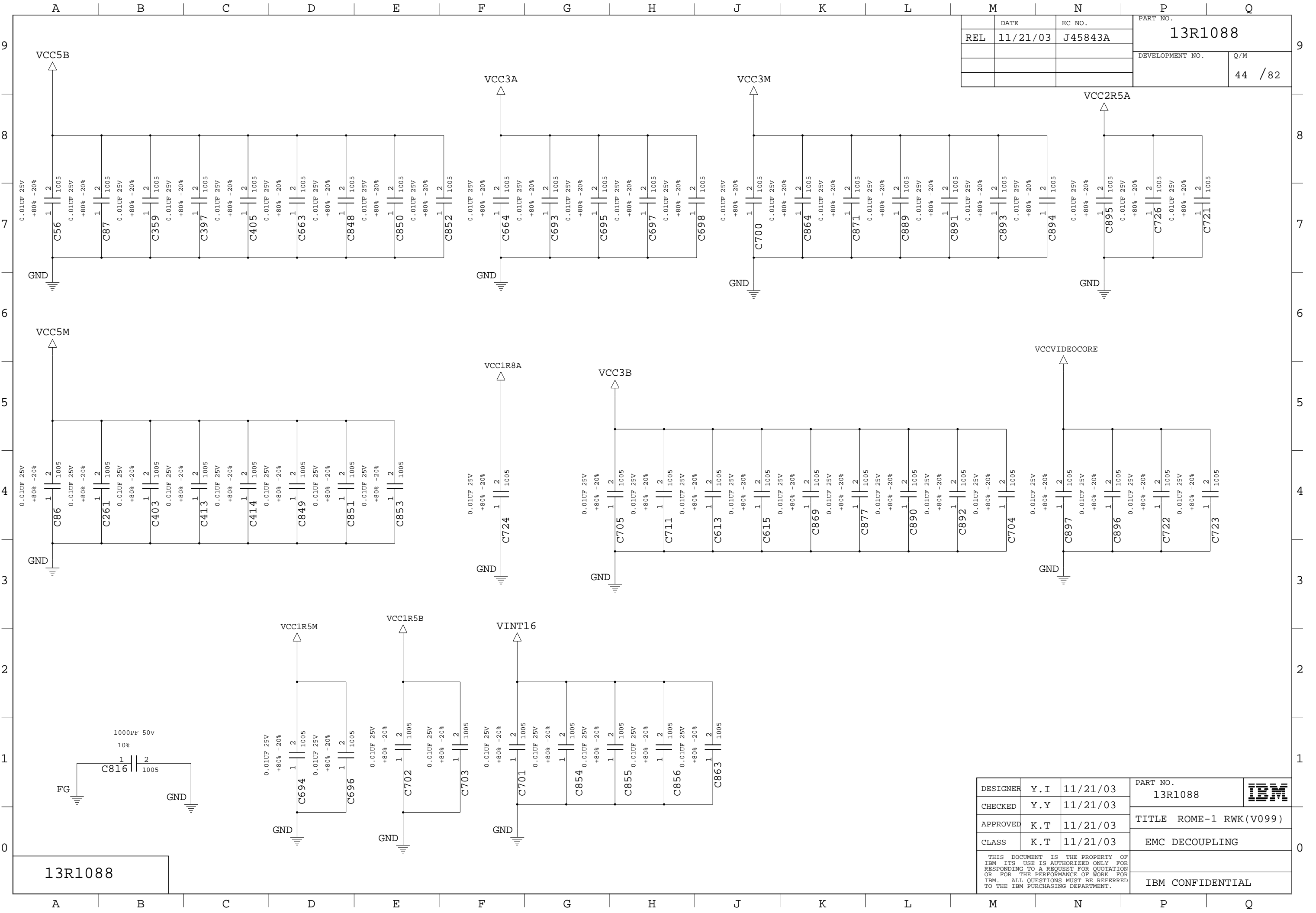


REL	DATE	EC NO.	PART NO.
	11/21/03	J45843A	13R1088
			DEVELOPMENT NO.
			Q/M
			43 / 82



13R1088

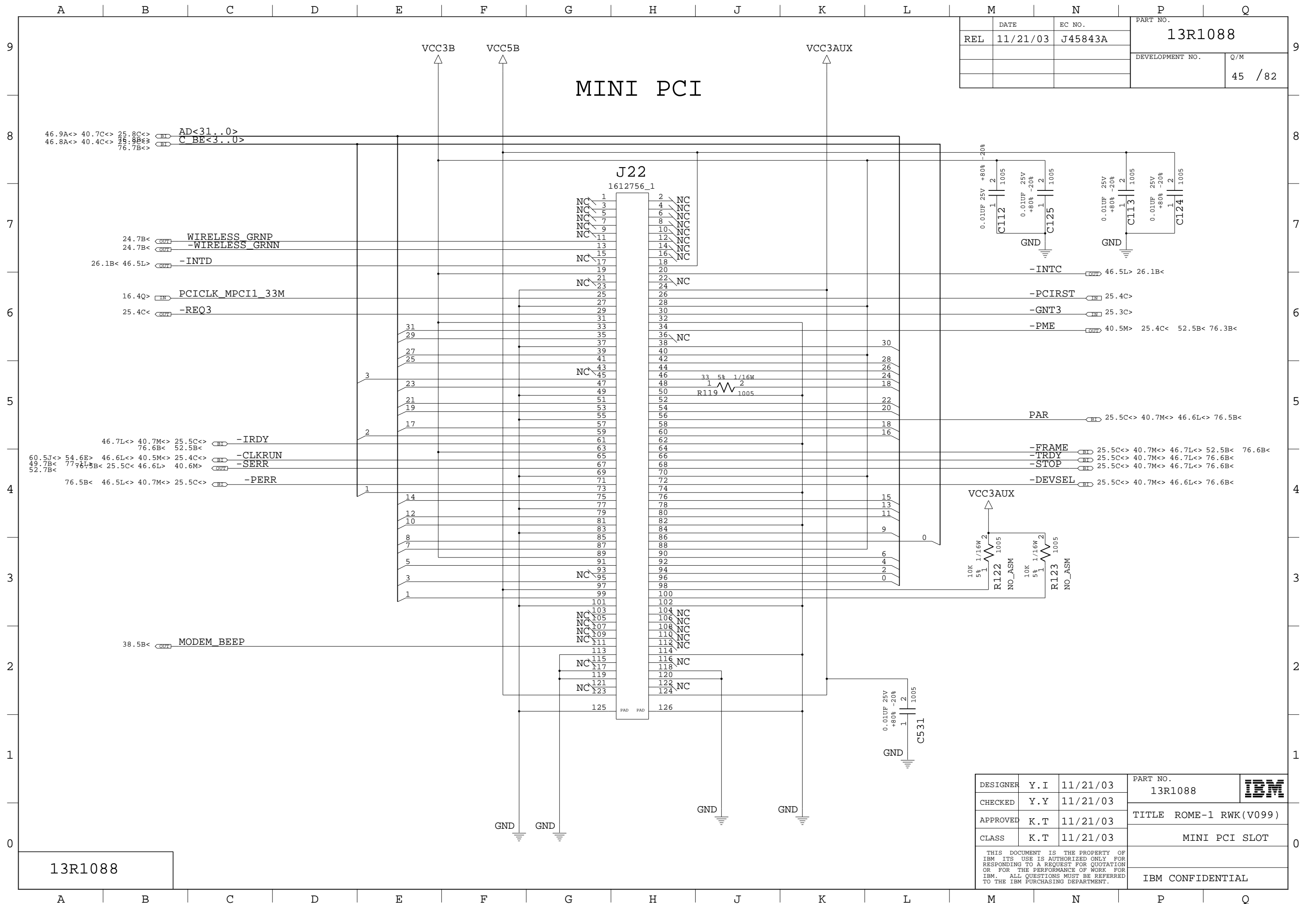
DESIGNER	Y.I	11/21/03	PART NO.	13R1088	
CHECKED	Y.Y	11/21/03	TITLE		
APPROVED	K.T	11/21/03	CLASS	CARD BUS SLOT	
THIS DOCUMENT IS THE PROPERTY OF IBM ITS USE IS AUTHORIZED ONLY FOR RESPONDING TO A REQUEST FOR QUOTATION OR FOR THE PERFORMANCE OF WORK FOR IBM. ALL QUESTIONS MUST BE REFERRED TO THE IBM PURCHASING DEPARTMENT.				IBM CONFIDENTIAL	



	DATE	EC NO.	PART NO.
REL	11/21/03	J45843A	13R1088
			DEVELOPMENT NO.
			Q/M
			44 / 82

13R1088

DESIGNER	Y.I	11/21/03	PART NO.	13R1088	
CHECKED	Y.Y	11/21/03	TITLE		
APPROVED	K.T	11/21/03	CLASS	EMC DECOUPLING	
THIS DOCUMENT IS THE PROPERTY OF IBM. ITS USE IS AUTHORIZED ONLY FOR RESPONDING TO A REQUEST FOR QUOTATION OR FOR THE PERFORMANCE OF WORK FOR IBM. ALL QUESTIONS MUST BE REFERRED TO THE IBM PURCHASING DEPARTMENT.				IBM CONFIDENTIAL	

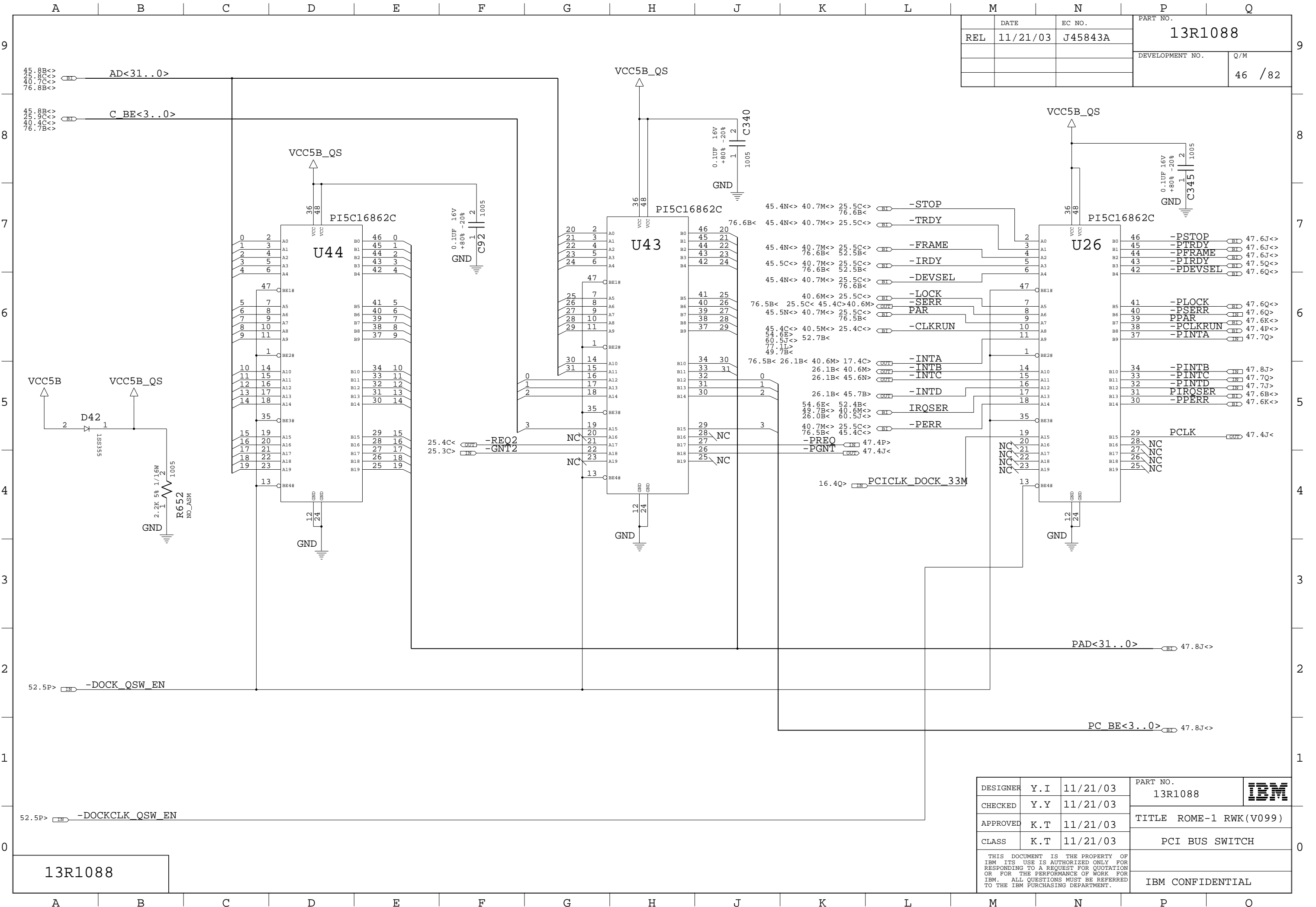


REL	DATE	EC NO.	PART NO.
	11/21/03	J45843A	13R1088
			DEVELOPMENT NO.
			Q/M
			45 / 82

13R1088

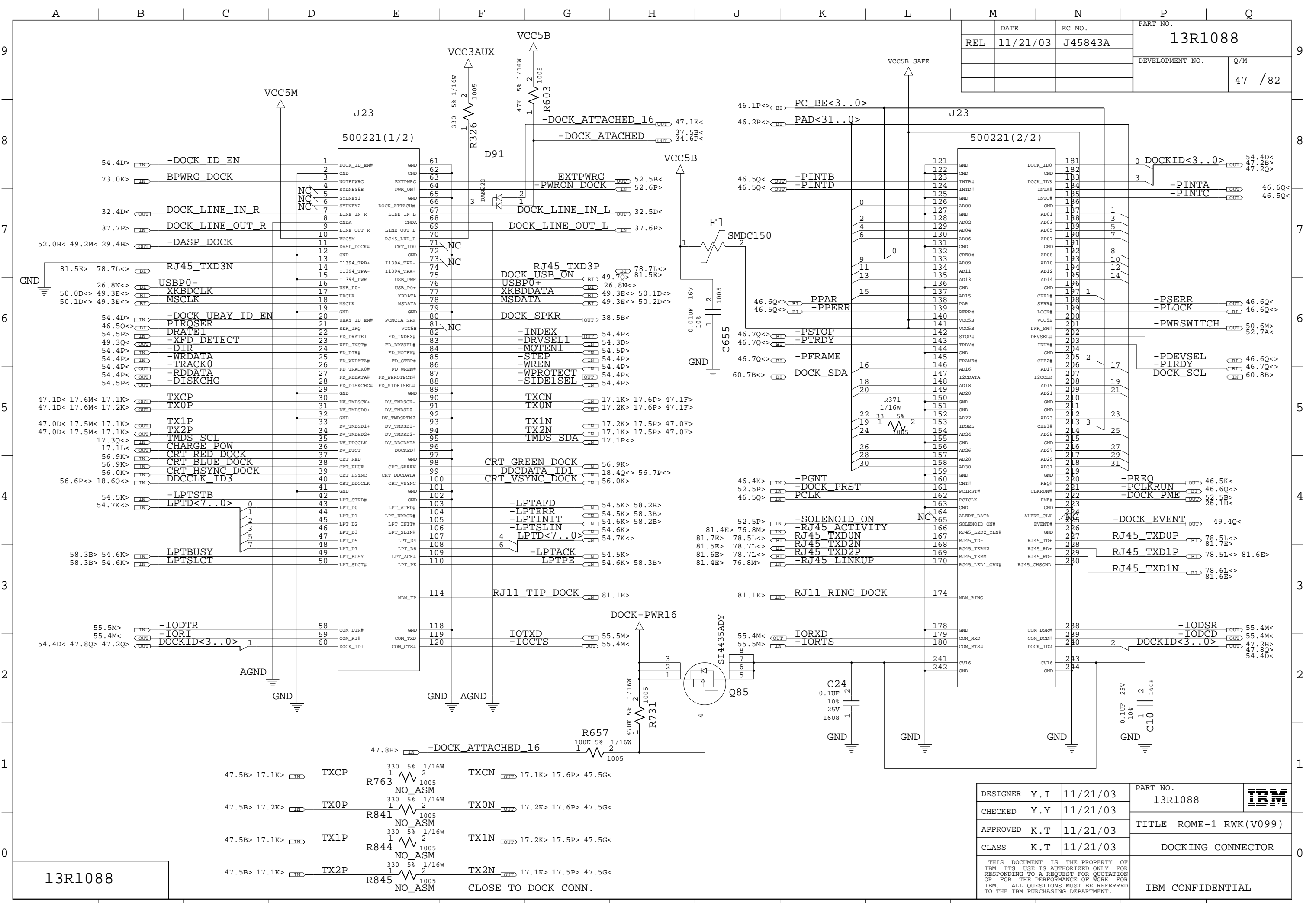
DESIGNER	Y.I	11/21/03	PART NO.	13R1088	
CHECKED	Y.Y	11/21/03			
APPROVED	K.T	11/21/03	TITLE ROME-1 RWK(V099)		
CLASS	K.T	11/21/03	MINI PCI SLOT		
THIS DOCUMENT IS THE PROPERTY OF IBM ITS USE IS AUTHORIZED ONLY FOR RESPONDING TO A REQUEST FOR QUOTATION OR FOR THE PERFORMANCE OF WORK FOR IBM. ALL QUESTIONS MUST BE REFERRED TO THE IBM PURCHASING DEPARTMENT.					IBM CONFIDENTIAL

REL	DATE	EC NO.	PART NO.
	11/21/03	J45843A	13R1088
			DEVELOPMENT NO.
			Q/M
			46 / 82



13R1088

DESIGNER	Y.I	11/21/03	PART NO.	13R1088	IBM
CHECKED	Y.Y	11/21/03			
APPROVED	K.T	11/21/03	TITLE ROME-1 RWK(V099)		
CLASS	K.T	11/21/03	PCI BUS SWITCH		
THIS DOCUMENT IS THE PROPERTY OF IBM ITS USE IS AUTHORIZED ONLY FOR RESPONDING TO A REQUEST FOR QUOTATION OR FOR THE PERFORMANCE OF WORK FOR IBM. ALL QUESTIONS MUST BE REFERRED TO THE IBM PURCHASING DEPARTMENT.					IBM CONFIDENTIAL

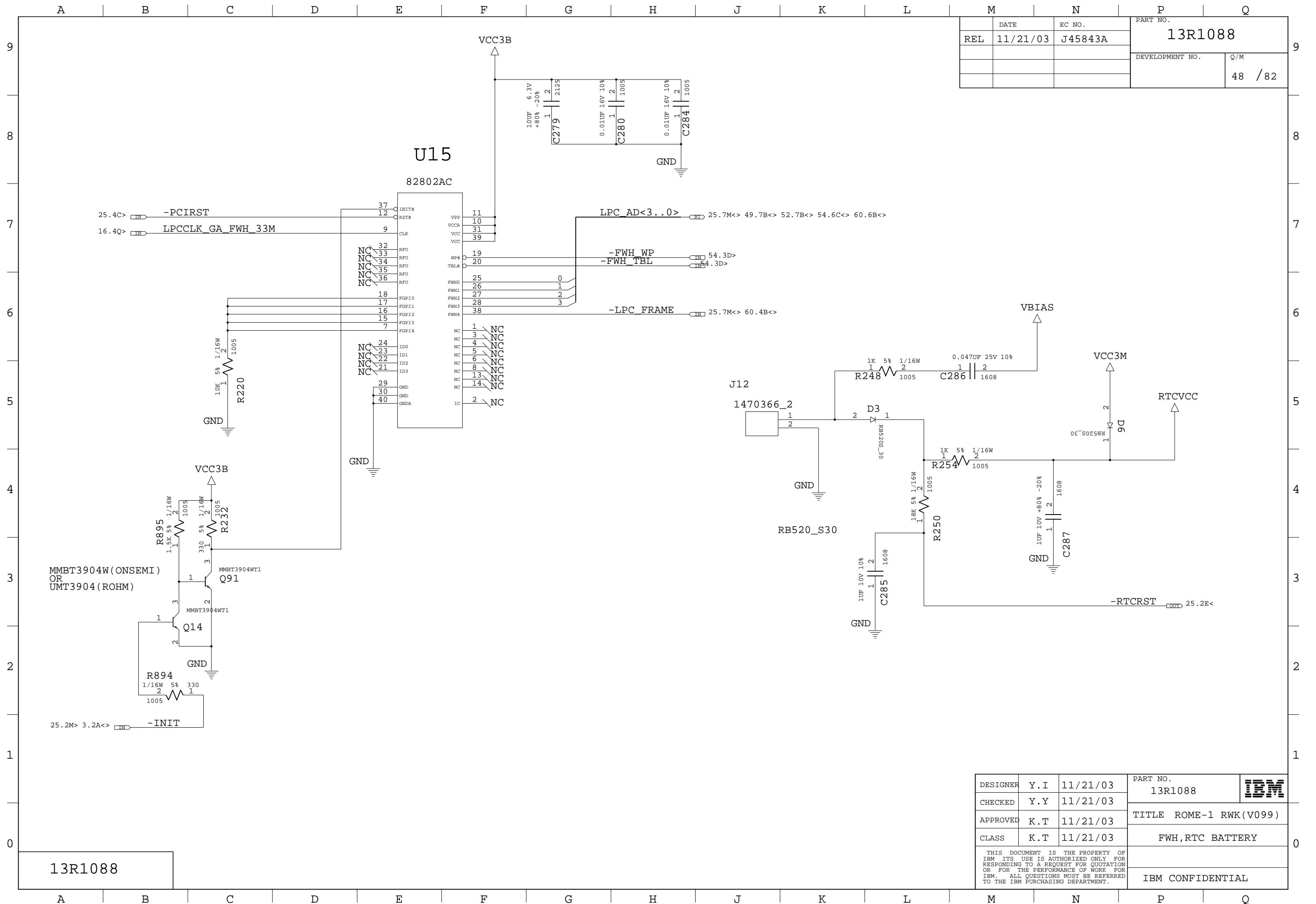


REL	DATE	EC NO.	PART NO.
	11/21/03	J45843A	13R1088
			DEVELOPMENT NO.
			Q/M
			47 / 82

DESIGNER	Y.I	11/21/03	PART NO.	13R1088	IBM
CHECKED	Y.Y	11/21/03	TITLE		
APPROVED	K.T	11/21/03	CLASS	DOCKING CONNECTOR	
					THIS DOCUMENT IS THE PROPERTY OF IBM ITS USE IS AUTHORIZED ONLY FOR RESPONDING TO A REQUEST FOR QUOTATION OR FOR THE PERFORMANCE OF WORK FOR IBM. ALL QUESTIONS MUST BE REFERRED TO THE IBM PURCHASING DEPARTMENT.
					IBM CONFIDENTIAL

13R1088

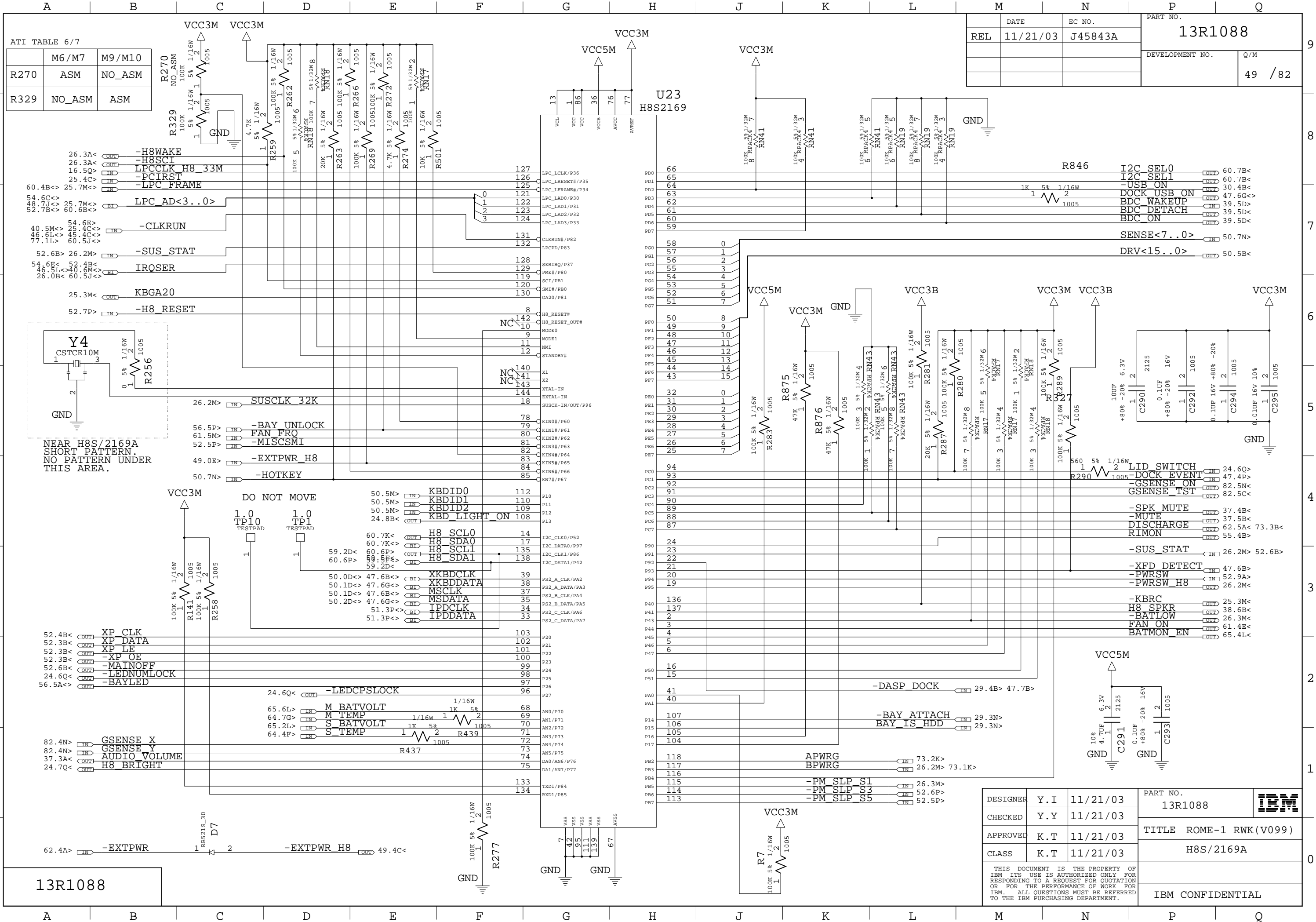
CLOSE TO DOCK CONN.



	DATE	EC NO.	PART NO.	
REL	11/21/03	J45843A	13R1088	
			DEVELOPMENT NO.	Q/M
				48 / 82

13R1088

DESIGNER	Y. I	11/21/03	PART NO.	13R1088	IBM
CHECKED	Y. Y	11/21/03	TITLE		
APPROVED	K. T	11/21/03	CLASS	FWH, RTC BATTERY	
			THIS DOCUMENT IS THE PROPERTY OF IBM. ITS USE IS AUTHORIZED ONLY FOR RESPONDING TO A REQUEST FOR QUOTATION OR FOR THE PERFORMANCE OF WORK FOR IBM. ALL QUESTIONS MUST BE REFERRED TO THE IBM PURCHASING DEPARTMENT.		
			IBM CONFIDENTIAL		

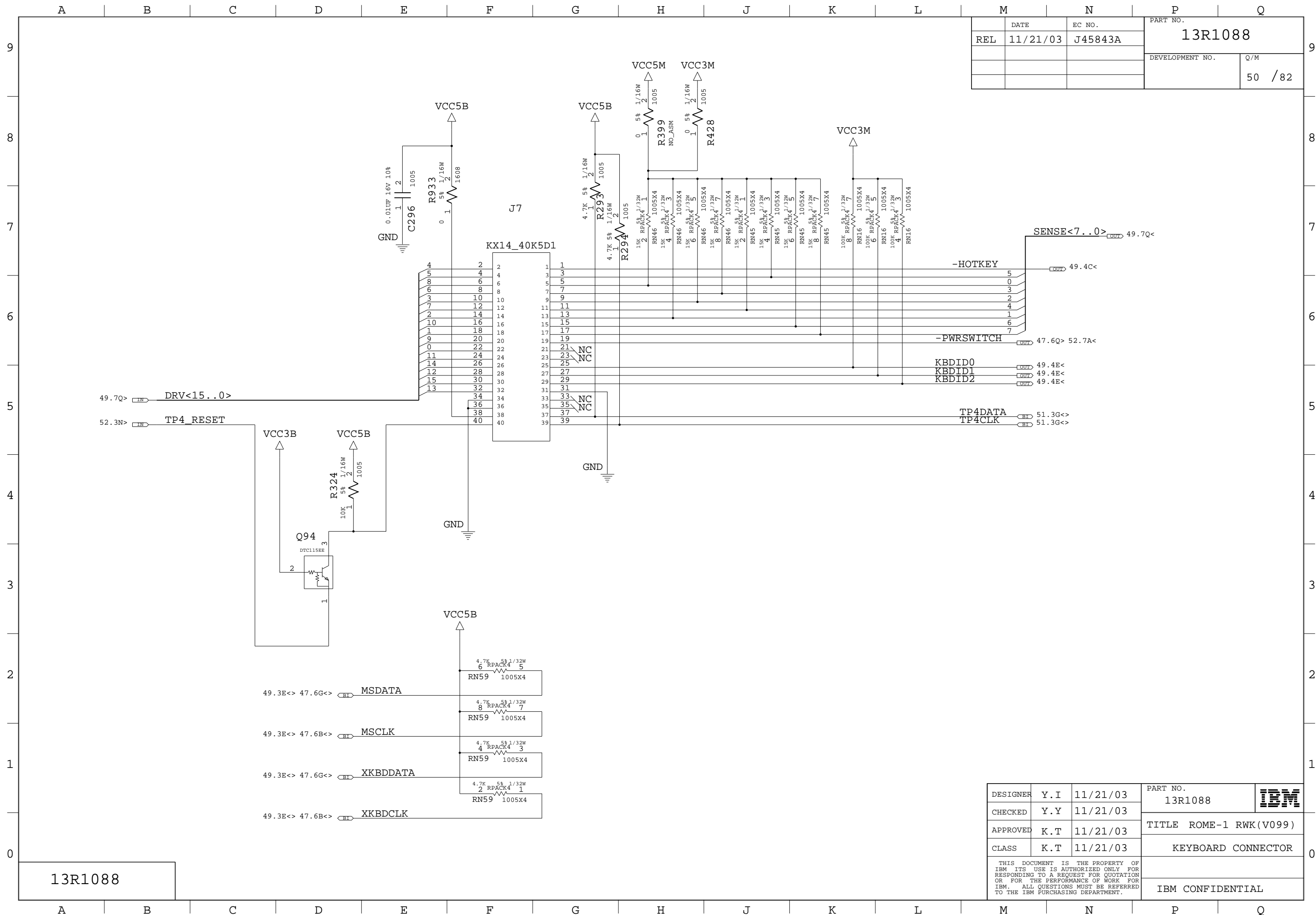


ATI TABLE 6/7		
	M6/M7	M9/M10
R270	ASM	NO_ASM
R329	NO_ASM	ASM

REL	DATE	EC NO.	PART NO.
	11/21/03	J45843A	13R1088
			DEVELOPMENT NO. Q/M
			49 / 82

NEAR H8S/2169A
SHORT PATTERN.
NO PATTERN UNDER
THIS AREA.

DESIGNER	Y.I	11/21/03	PART NO.	13R1088	
CHECKED	Y.Y	11/21/03	TITLE	ROME-1 RWK(V099)	
APPROVED	K.T	11/21/03		H8S/2169A	
CLASS	K.T	11/21/03			
THIS DOCUMENT IS THE PROPERTY OF IBM. ITS USE IS AUTHORIZED ONLY FOR RESPONDING TO A REQUEST FOR QUOTATION OR FOR THE PERFORMANCE OF WORK FOR IBM. ALL QUESTIONS MUST BE REFERRED TO THE IBM PURCHASING DEPARTMENT.					IBM CONFIDENTIAL

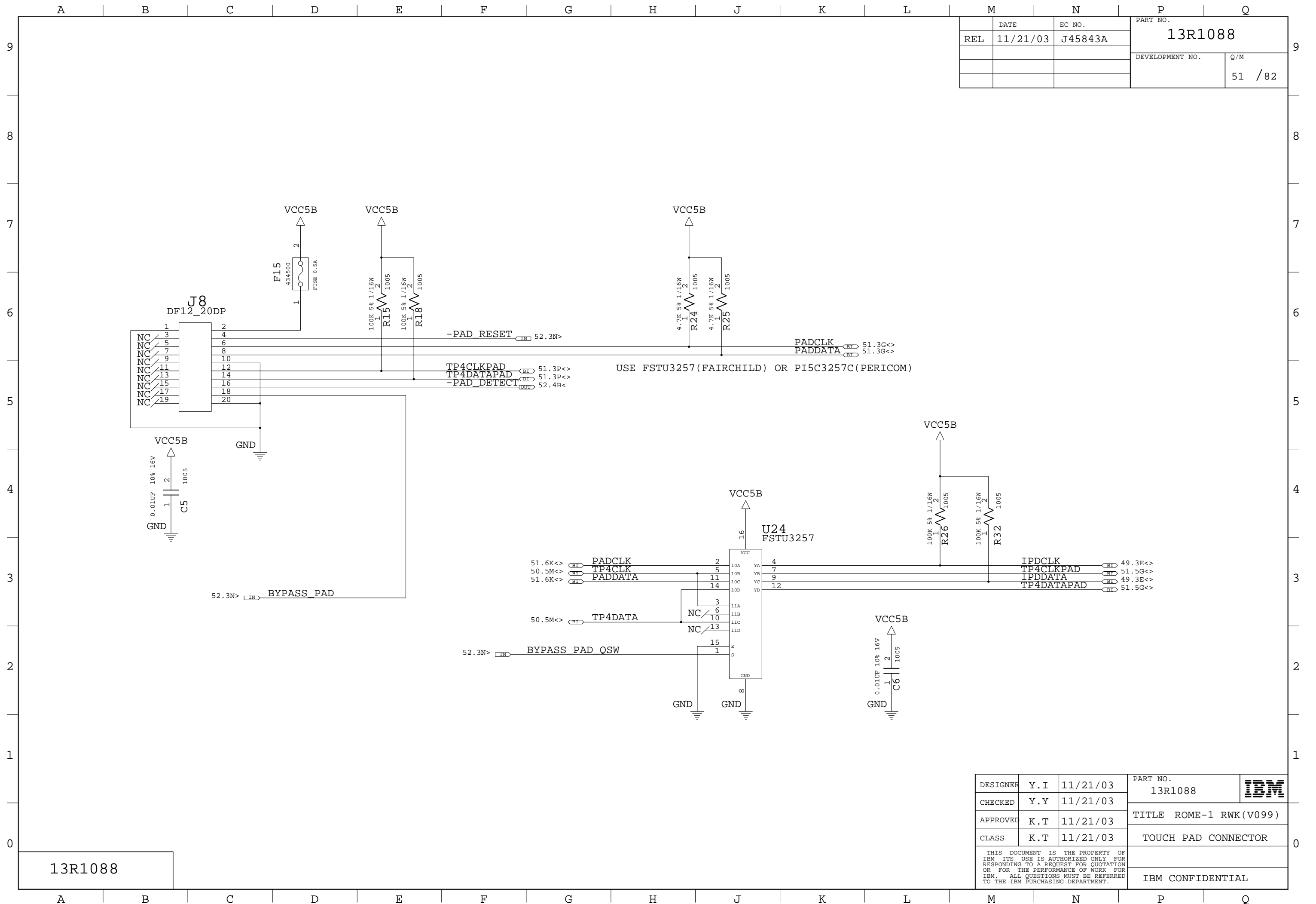


	DATE	EC NO.	PART NO.	
REL	11/21/03	J45843A	13R1088	
			DEVELOPMENT NO.	Q/M
				50 / 82

13R1088

DESIGNER	Y.I	11/21/03	PART NO.	13R1088	
CHECKED	Y.Y	11/21/03	TITLE		
APPROVED	K.T	11/21/03	KEYBOARD CONNECTOR		
CLASS	K.T	11/21/03	IBM CONFIDENTIAL		

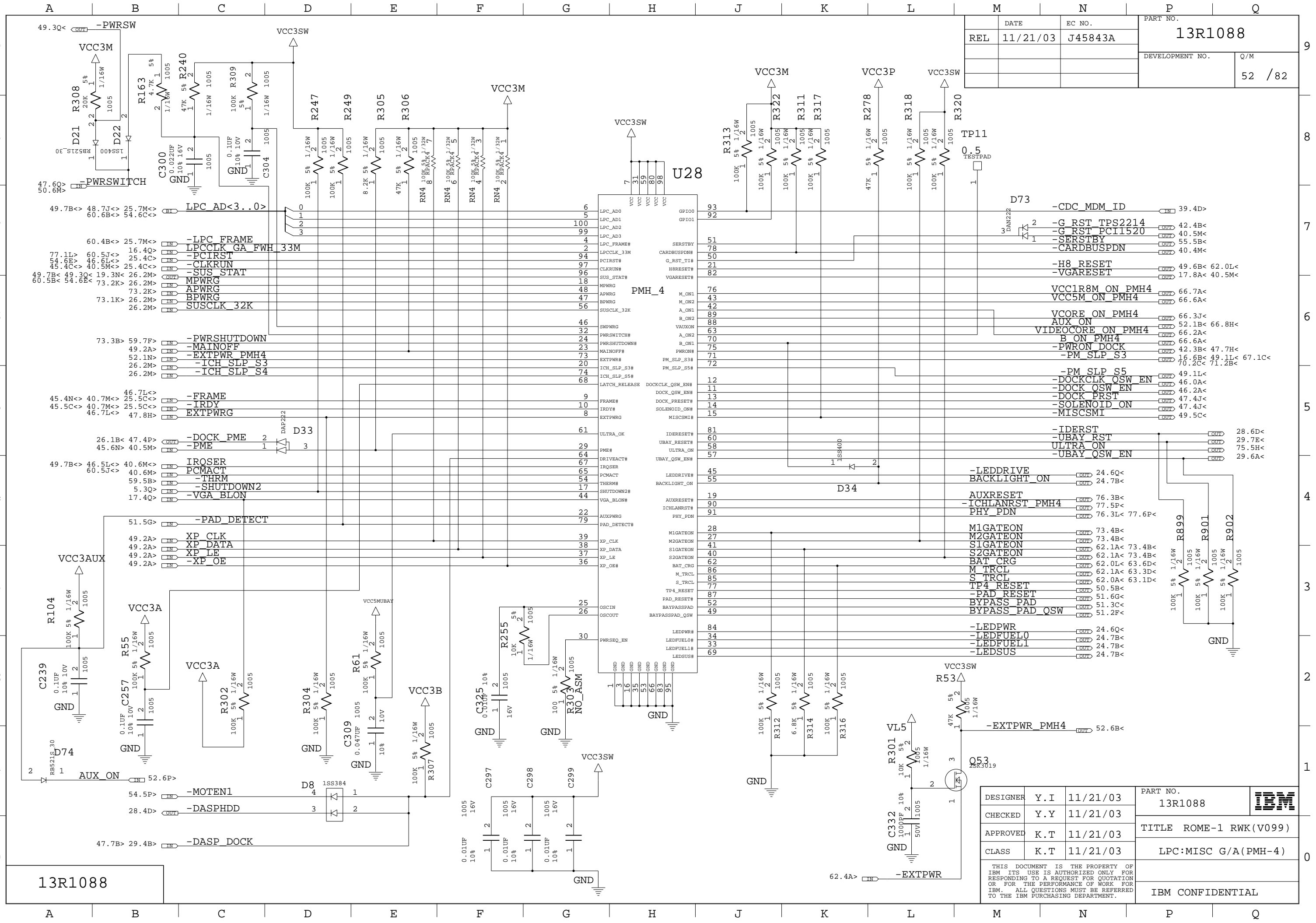
THIS DOCUMENT IS THE PROPERTY OF IBM. ITS USE IS AUTHORIZED ONLY FOR RESPONDING TO A REQUEST FOR QUOTATION OR FOR THE PERFORMANCE OF WORK FOR IBM. ALL QUESTIONS MUST BE REFERRED TO THE IBM PURCHASING DEPARTMENT.



	DATE	EC NO.	PART NO.	
REL	11/21/03	J45843A	13R1088	
			DEVELOPMENT NO.	Q/M
				51 / 82

13R1088

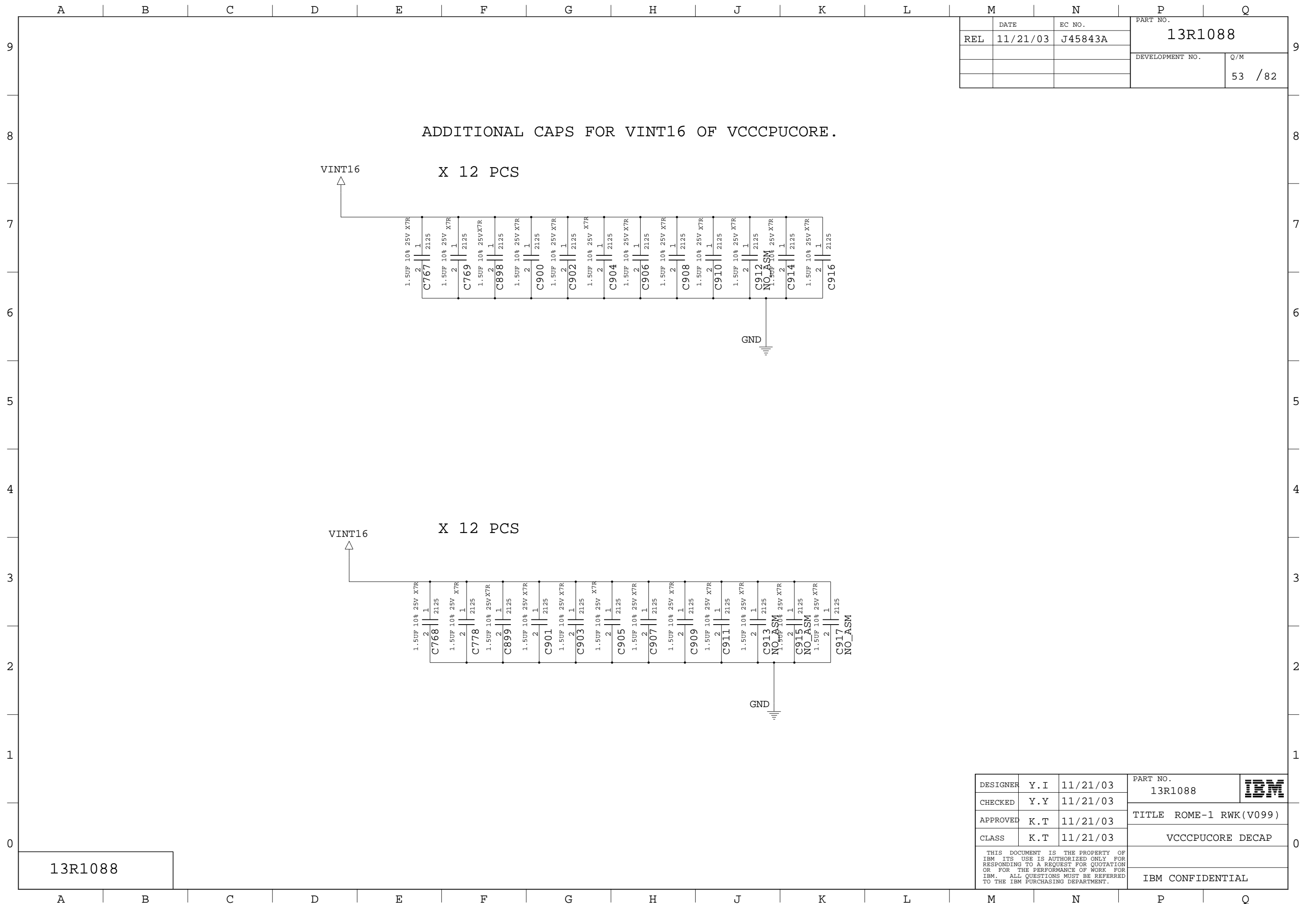
DESIGNER	Y. I	11/21/03	PART NO.	13R1088	IBM
CHECKED	Y. Y	11/21/03			
APPROVED	K. T	11/21/03	TITLE ROME-1 RWK(V099)		
CLASS	K. T	11/21/03	TOUCH PAD CONNECTOR		
THIS DOCUMENT IS THE PROPERTY OF IBM. ITS USE IS AUTHORIZED ONLY FOR RESPONDING TO A REQUEST FOR QUOTATION OR FOR THE PERFORMANCE OF WORK FOR IBM. ALL QUESTIONS MUST BE REFERRED TO THE IBM PURCHASING DEPARTMENT.					IBM CONFIDENTIAL



REL	DATE	EC NO.	PART NO.
	11/21/03	J45843A	13R1088
			DEVELOPMENT NO.
			Q/M
			52 / 82

DESIGNER	Y.I	11/21/03	PART NO.	13R1088	IBM
CHECKED	Y.Y	11/21/03			
APPROVED	K.T	11/21/03	TITLE	ROME-1 RWK(V099)	
CLASS	K.T	11/21/03		LPC:MISC G/A(PMH-4)	
THIS DOCUMENT IS THE PROPERTY OF IBM. ITS USE IS AUTHORIZED ONLY FOR RESPONDING TO A REQUEST FOR QUOTATION OR FOR THE PERFORMANCE OF WORK FOR IBM. ALL QUESTIONS MUST BE REFERRED TO THE IBM PURCHASING DEPARTMENT.					IBM CONFIDENTIAL

13R1088

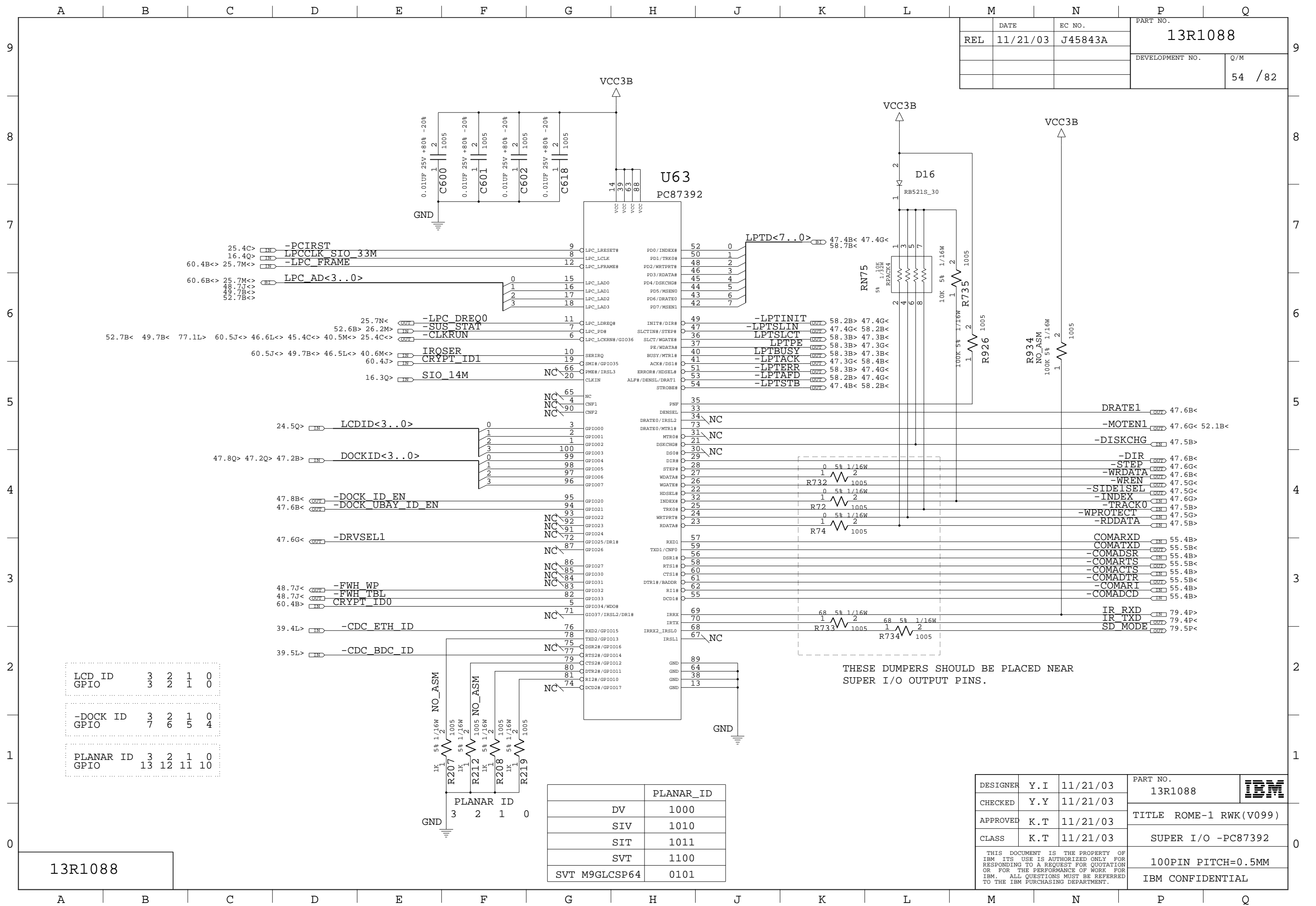


	DATE	EC NO.	PART NO.	
REL	11/21/03	J45843A	13R1088	
			DEVELOPMENT NO.	Q/M
				53 /82

13R1088

DESIGNER	Y. I	11/21/03	PART NO.	13R1088	
CHECKED	Y. Y	11/21/03			
APPROVED	K. T	11/21/03	TITLE ROME-1 RWK(V099)		
CLASS	K. T	11/21/03	VCCCPUCORE DECAP		
THIS DOCUMENT IS THE PROPERTY OF IBM. ITS USE IS AUTHORIZED ONLY FOR RESPONDING TO A REQUEST FOR QUOTATION OR FOR THE PERFORMANCE OF WORK FOR IBM. ALL QUESTIONS MUST BE REFERRED TO THE IBM PURCHASING DEPARTMENT.					IBM CONFIDENTIAL

DATE	EC NO.	PART NO.	
REL 11/21/03	J45843A	13R1088	
		DEVELOPMENT NO.	Q/M
			54 / 82



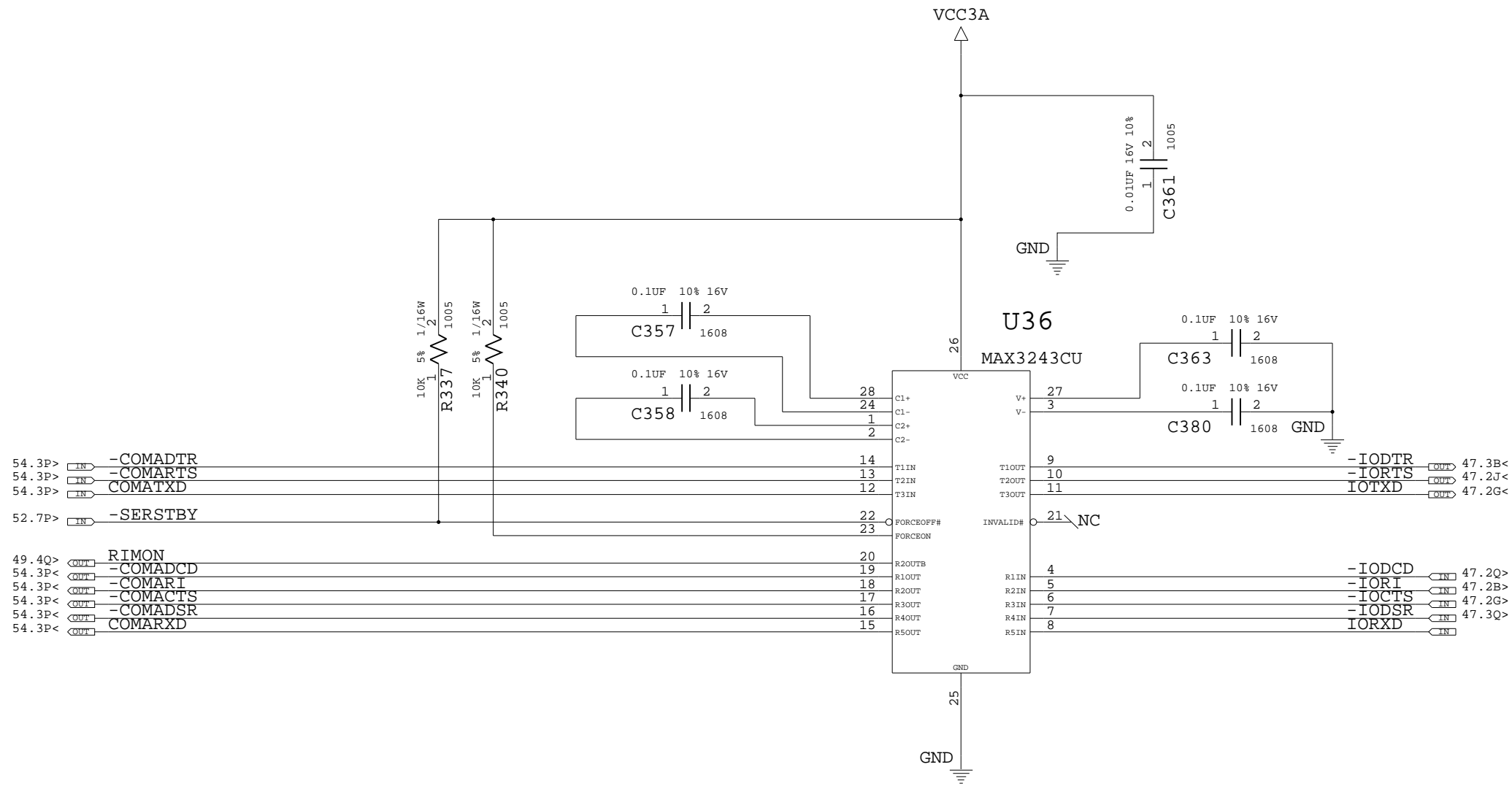
LCD ID	3	2	1	0
GPIO	3	2	1	0
-DOCK ID	3	2	1	0
GPIO	7	6	5	4
PLANAR ID	3	2	1	0
GPIO	13	12	11	10

PLANAR_ID	
DV	1000
SIV	1010
SIT	1011
SVT	1100
SVT M9GLCSP64	0101

DESIGNER	Y.I	11/21/03	PART NO.	13R1088	
CHECKED	Y.Y	11/21/03	TITLE ROME-1 RWK(V099)		
APPROVED	K.T	11/21/03	SUPER I/O -PC87392		
CLASS	K.T	11/21/03	100PIN PITCH=0.5MM		
THIS DOCUMENT IS THE PROPERTY OF IBM ITS USE IS AUTHORIZED ONLY FOR RESPONDING TO A REQUEST FOR QUOTATION OR FOR THE PERFORMANCE OF WORK FOR IBM. ALL QUESTIONS MUST BE REFERRED TO THE IBM PURCHASING DEPARTMENT.					IBM CONFIDENTIAL

13R1088

	DATE	EC NO.	PART NO.	
REL	11/21/03	J45843A	13R1088	
			DEVELOPMENT NO.	Q/M
				55 / 82

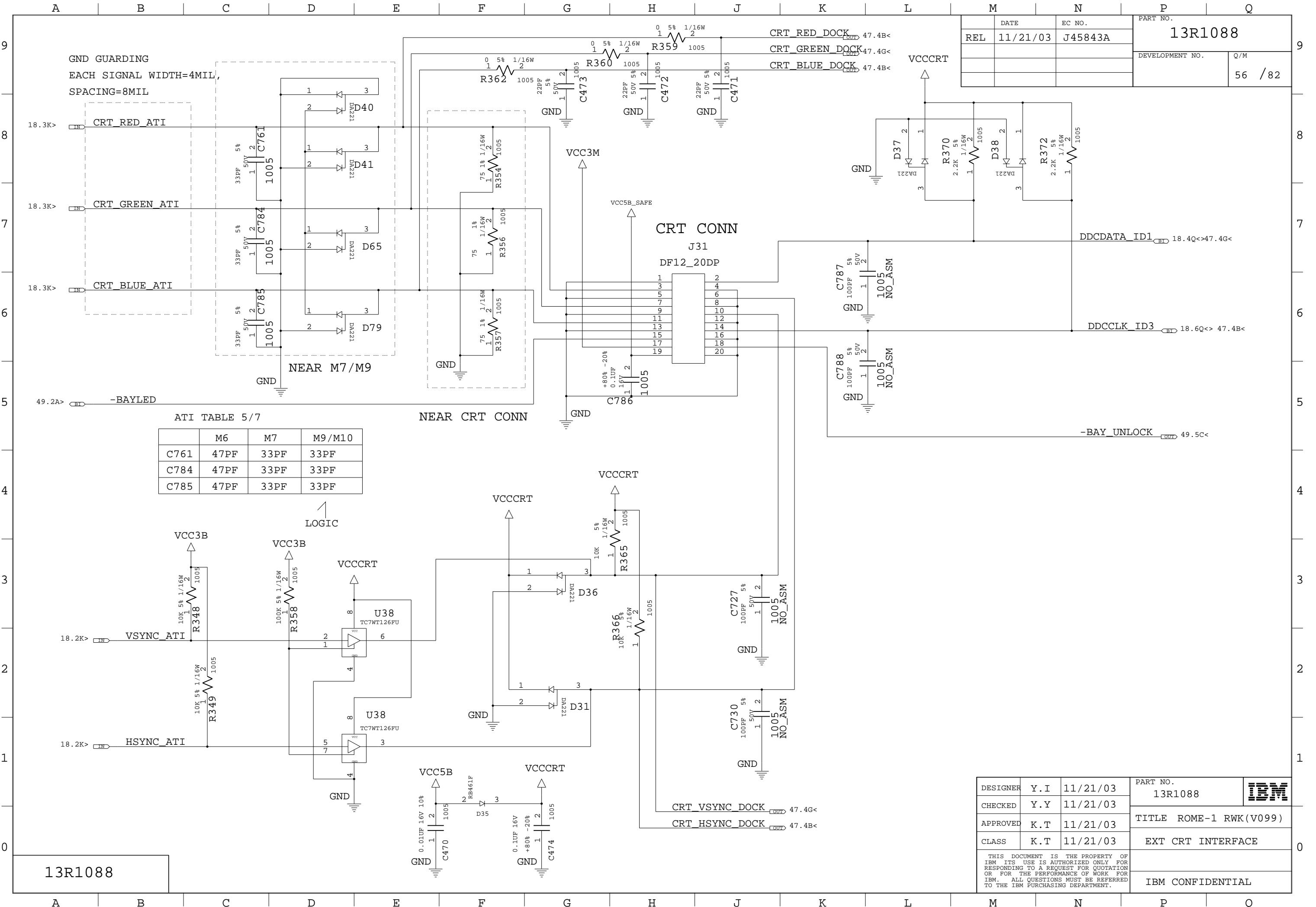


R1IN/R2IN/R3IN/R5IN HAVE INTERNAL PULLDOWN(5K OHM).
DO NOT WIRE SIGNALS UNDER PINS (1/2/3/24/25/26/27/28)
CHARGE PUMP CAPACITOR SHOULD BE PLACED NEAR PINS(1/2/3/24/27/28)
ADD GND SHILED UNDER CHARGE PUMP CIRCUIT TO
PROTECT POWER LINE NOISE
CAPACITORS FOR CHARGE PUMP SHOULD BE USED TYPE B AND LOW ESR TYPE.

	NORMAL MODE	POWER DOWN MODE	AUTO POWER DOWN MODE
FORCEON	HIGH	DO NOT CARE	LOW
FOCEOFF	HIGH	LOW	HIGH

13R1088

DESIGNER	Y.I	11/21/03	PART NO.	13R1088	IBM
CHECKED	Y.Y	11/21/03			
APPROVED	K.T	11/21/03	TITLE ROME-1 RWK(V099)		
CLASS	K.T	11/21/03	SERIAL INTERFACE		
THIS DOCUMENT IS THE PROPERTY OF IBM ITS USE IS AUTHORIZED ONLY FOR RESPONDING TO A REQUEST FOR QUOTATION OR FOR THE PERFORMANCE OF WORK FOR IBM. ALL QUESTIONS MUST BE REFERRED TO THE IBM PURCHASING DEPARTMENT.				IBM CONFIDENTIAL	



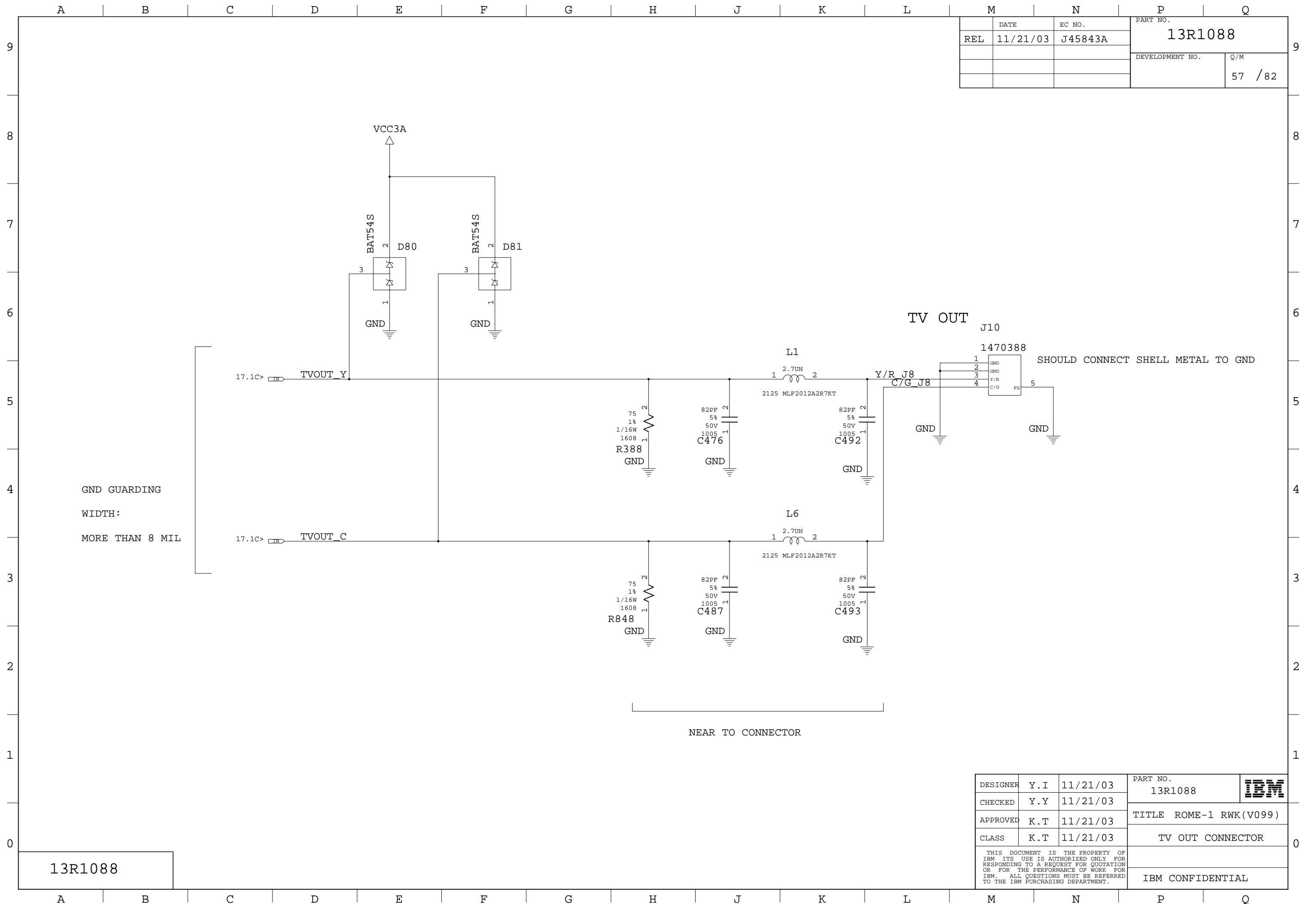
REL	DATE	EC NO.	PART NO.
	11/21/03	J45843A	13R1088
			DEVELOPMENT NO.
			Q/M
			56 / 82

ATI TABLE 5/7

	M6	M7	M9/M10
C761	47PF	33PF	33PF
C784	47PF	33PF	33PF
C785	47PF	33PF	33PF

DESIGNER	Y.I	11/21/03	PART NO.	13R1088	
CHECKED	Y.Y	11/21/03	TITLE		
APPROVED	K.T	11/21/03	CLASS	EXT CRT INTERFACE	
THIS DOCUMENT IS THE PROPERTY OF IBM ITS USE IS AUTHORIZED ONLY FOR RESPONDING TO A REQUEST FOR QUOTATION OR FOR THE PERFORMANCE OF WORK FOR IBM. ALL QUESTIONS MUST BE REFERRED TO THE IBM PURCHASING DEPARTMENT.				IBM CONFIDENTIAL	

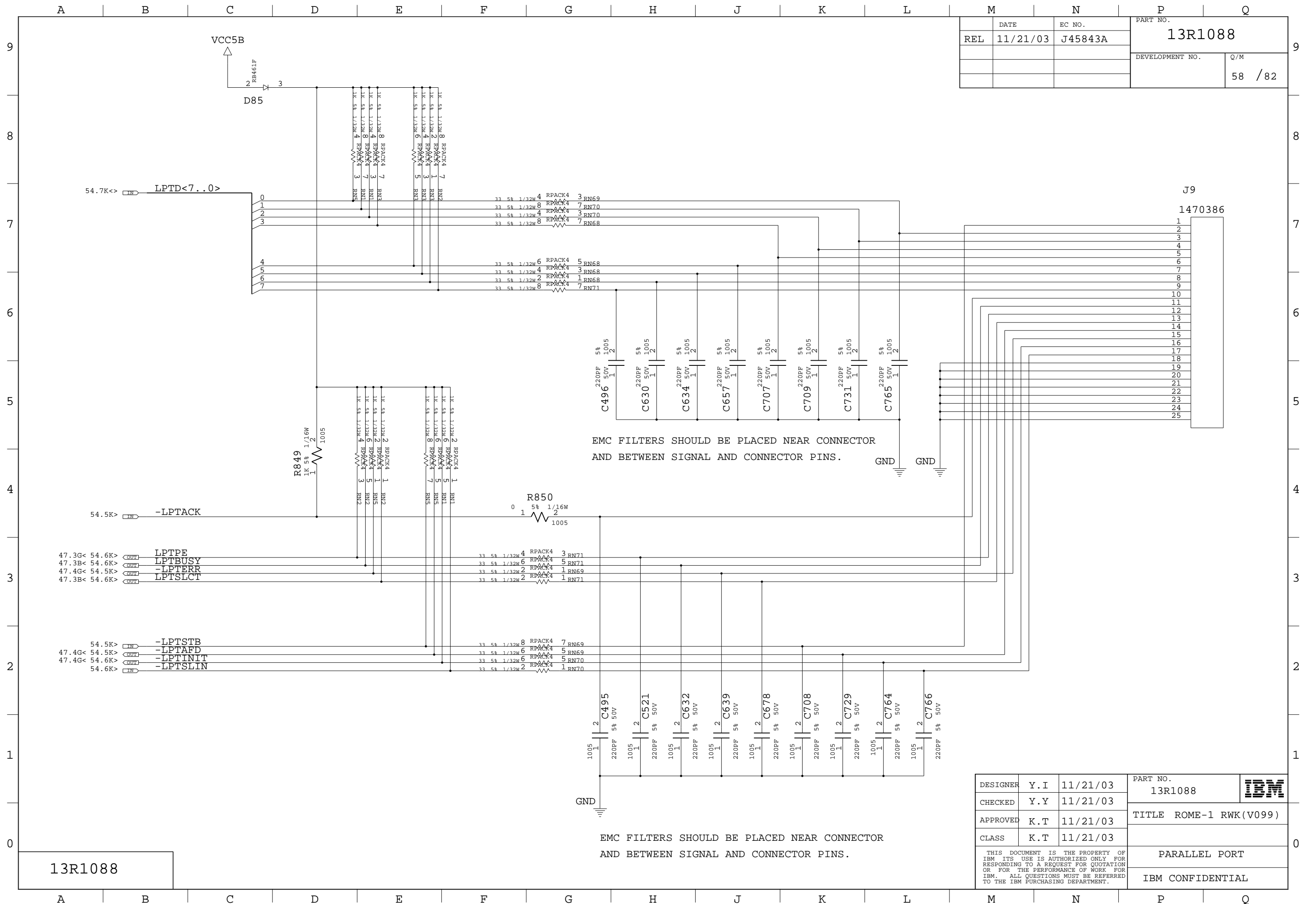
13R1088



	DATE	EC NO.	PART NO.	
REL	11/21/03	J45843A	13R1088	
			DEVELOPMENT NO.	Q/M
				57 /82

13R1088

DESIGNER	Y. I	11/21/03	PART NO.	13R1088	IBM
CHECKED	Y. Y	11/21/03	TITLE		
APPROVED	K. T	11/21/03	TV OUT CONNECTOR		
CLASS	K. T	11/21/03	IBM CONFIDENTIAL		
<small>THIS DOCUMENT IS THE PROPERTY OF IBM. ITS USE IS AUTHORIZED ONLY FOR RESPONDING TO A REQUEST FOR QUOTATION OR FOR THE PERFORMANCE OF WORK FOR IBM. ALL QUESTIONS MUST BE REFERRED TO THE IBM PURCHASING DEPARTMENT.</small>					



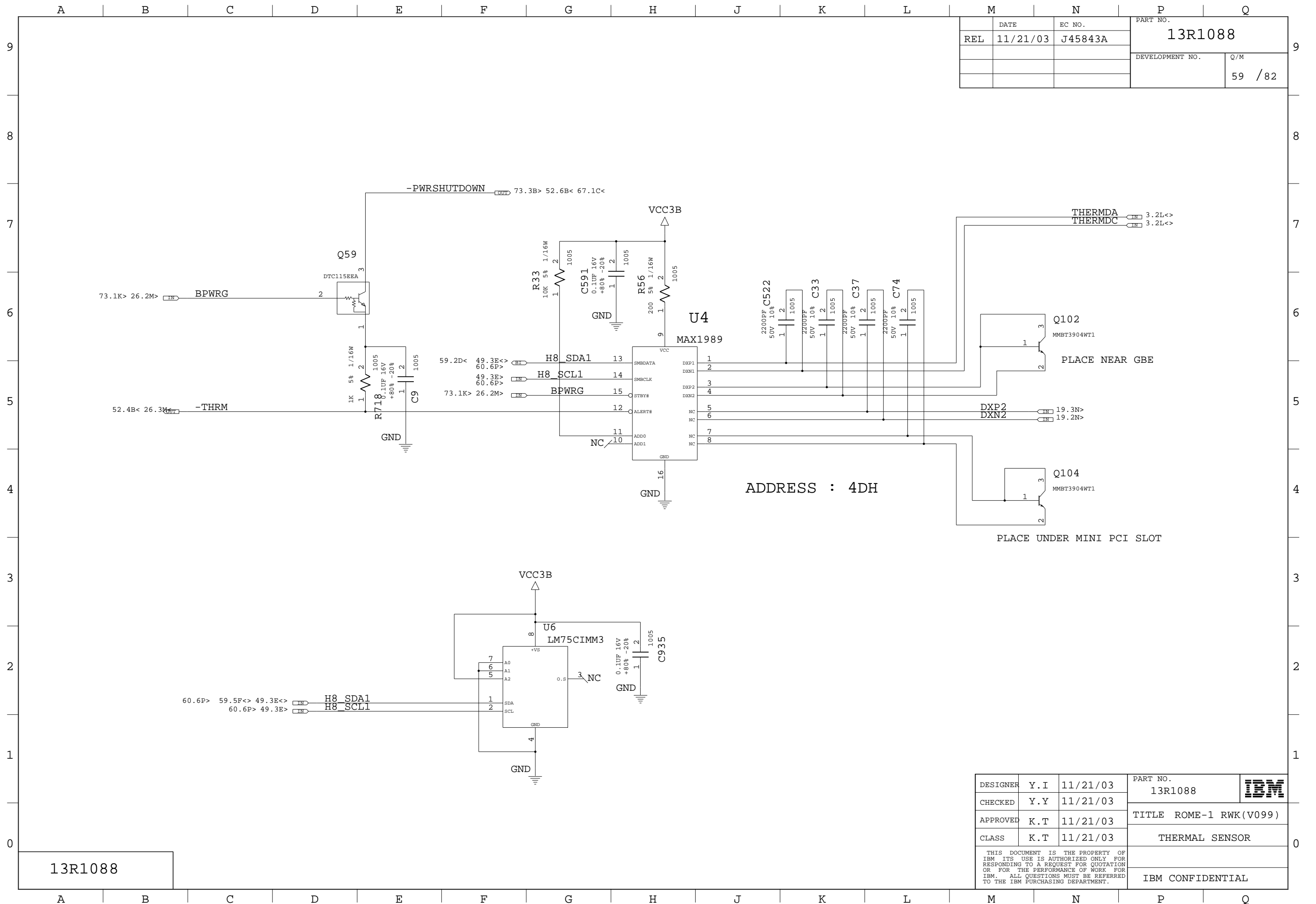
REL	DATE	EC NO.	PART NO.
	11/21/03	J45843A	13R1088
			DEVELOPMENT NO.
			Q/M
			58 / 82

EMC FILTERS SHOULD BE PLACED NEAR CONNECTOR AND BETWEEN SIGNAL AND CONNECTOR PINS.

EMC FILTERS SHOULD BE PLACED NEAR CONNECTOR AND BETWEEN SIGNAL AND CONNECTOR PINS.

13R1088

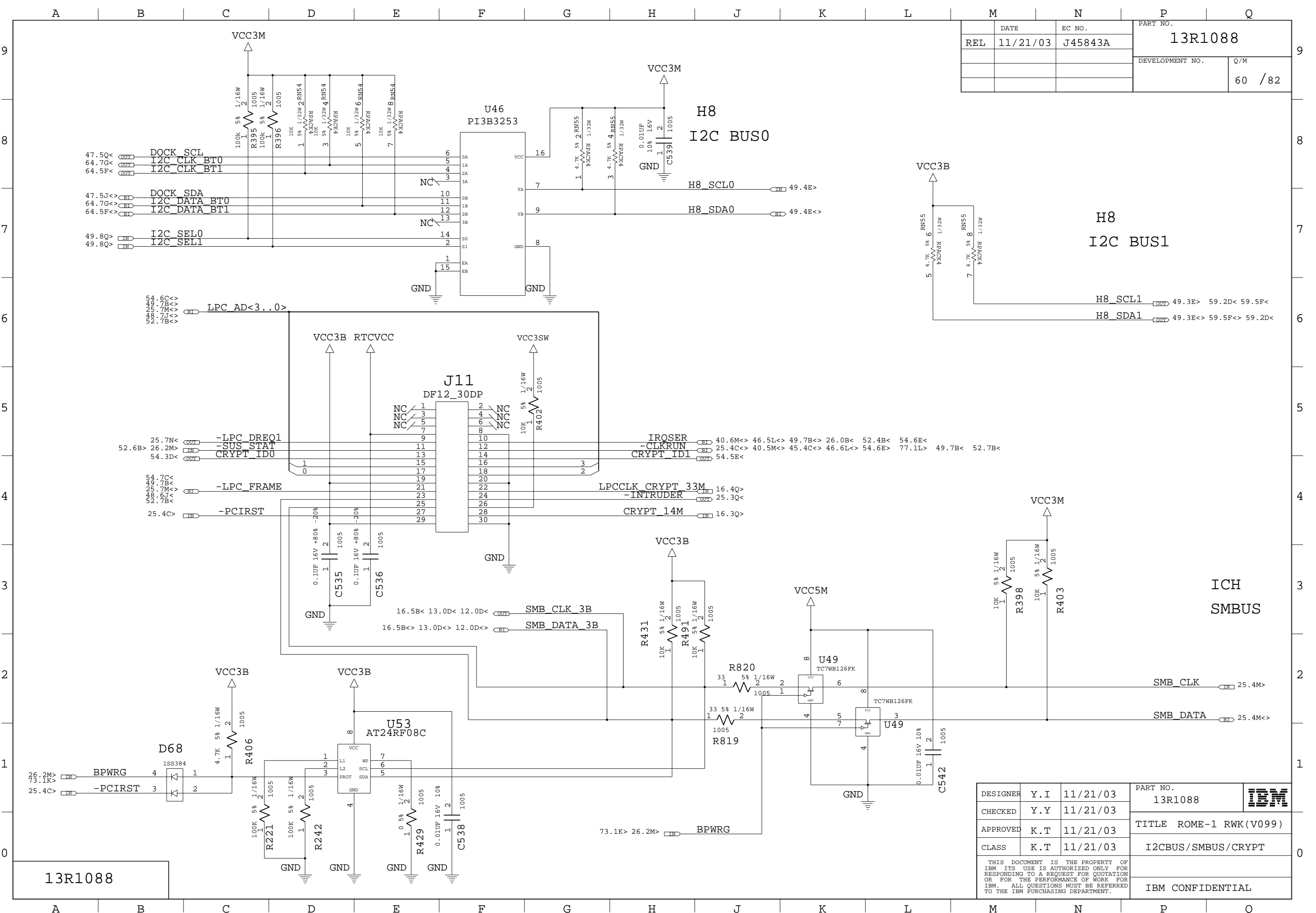
DESIGNER	Y. I	11/21/03	PART NO.	13R1088	
CHECKED	Y. Y	11/21/03	TITLE		
APPROVED	K. T	11/21/03	CLASS	K. T	11/21/03
THIS DOCUMENT IS THE PROPERTY OF IBM. ITS USE IS AUTHORIZED ONLY FOR RESPONDING TO A REQUEST FOR QUOTATION OR FOR THE PERFORMANCE OF WORK FOR IBM. ALL QUESTIONS MUST BE REFERRED TO THE IBM PURCHASING DEPARTMENT.				PARALLEL PORT	IBM CONFIDENTIAL



REL	DATE	EC NO.	PART NO.
	11/21/03	J45843A	13R1088
			DEVELOPMENT NO.
			Q/M
			59 / 82

13R1088

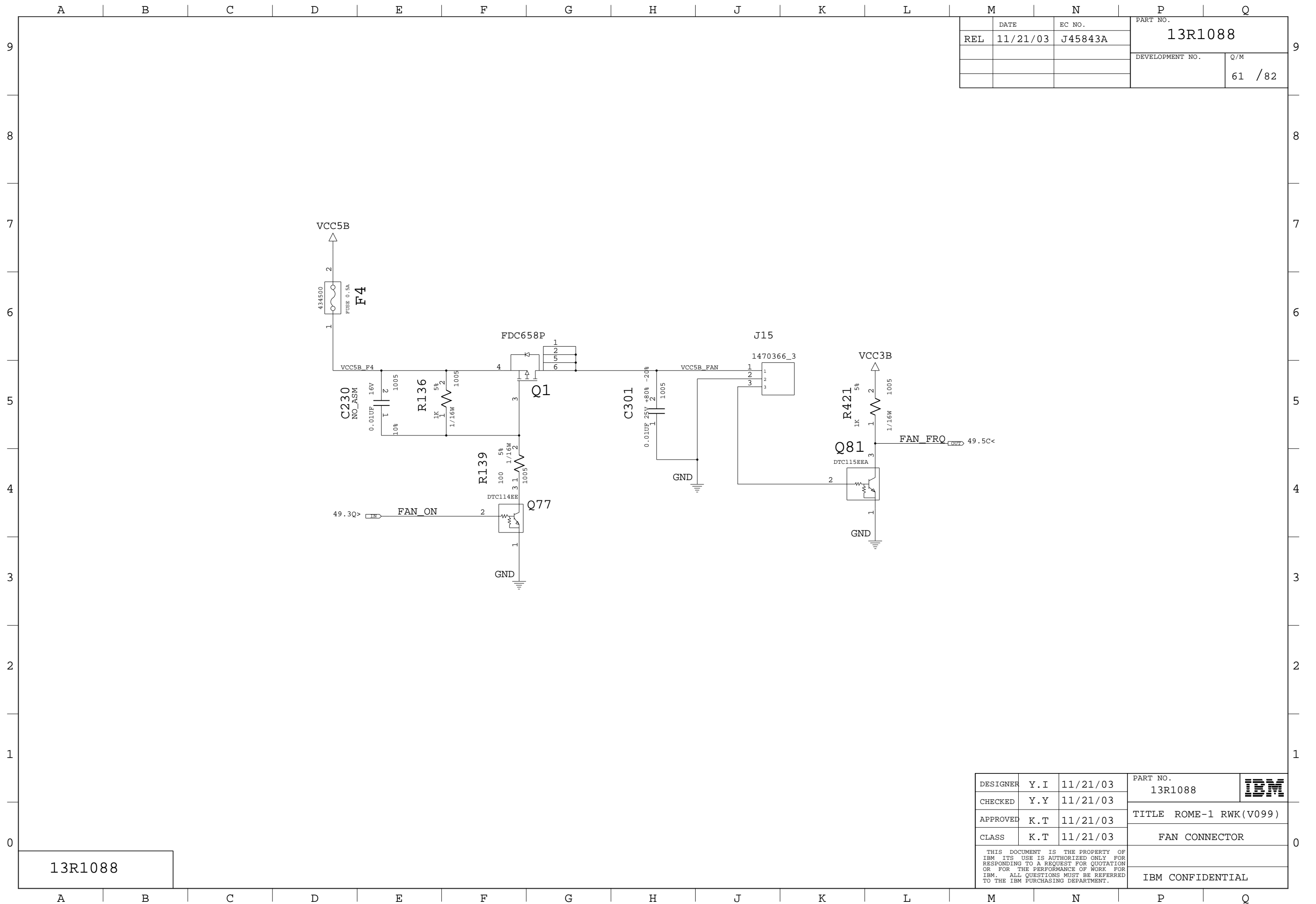
DESIGNER	Y.I	11/21/03	PART NO.	13R1088	
CHECKED	Y.Y	11/21/03	TITLE		
APPROVED	K.T	11/21/03	CLASS	THERMAL SENSOR	
THIS DOCUMENT IS THE PROPERTY OF IBM. ITS USE IS AUTHORIZED ONLY FOR RESPONDING TO A REQUEST FOR QUOTATION OR FOR THE PERFORMANCE OF WORK FOR IBM. ALL QUESTIONS MUST BE REFERRED TO THE IBM PURCHASING DEPARTMENT.				IBM CONFIDENTIAL	



DATE	11/21/03	EC NO.	J45843A	PART NO.	13R1088
REL				DEVELOPMENT NO.	Q/M
					60 / 82

13R1088

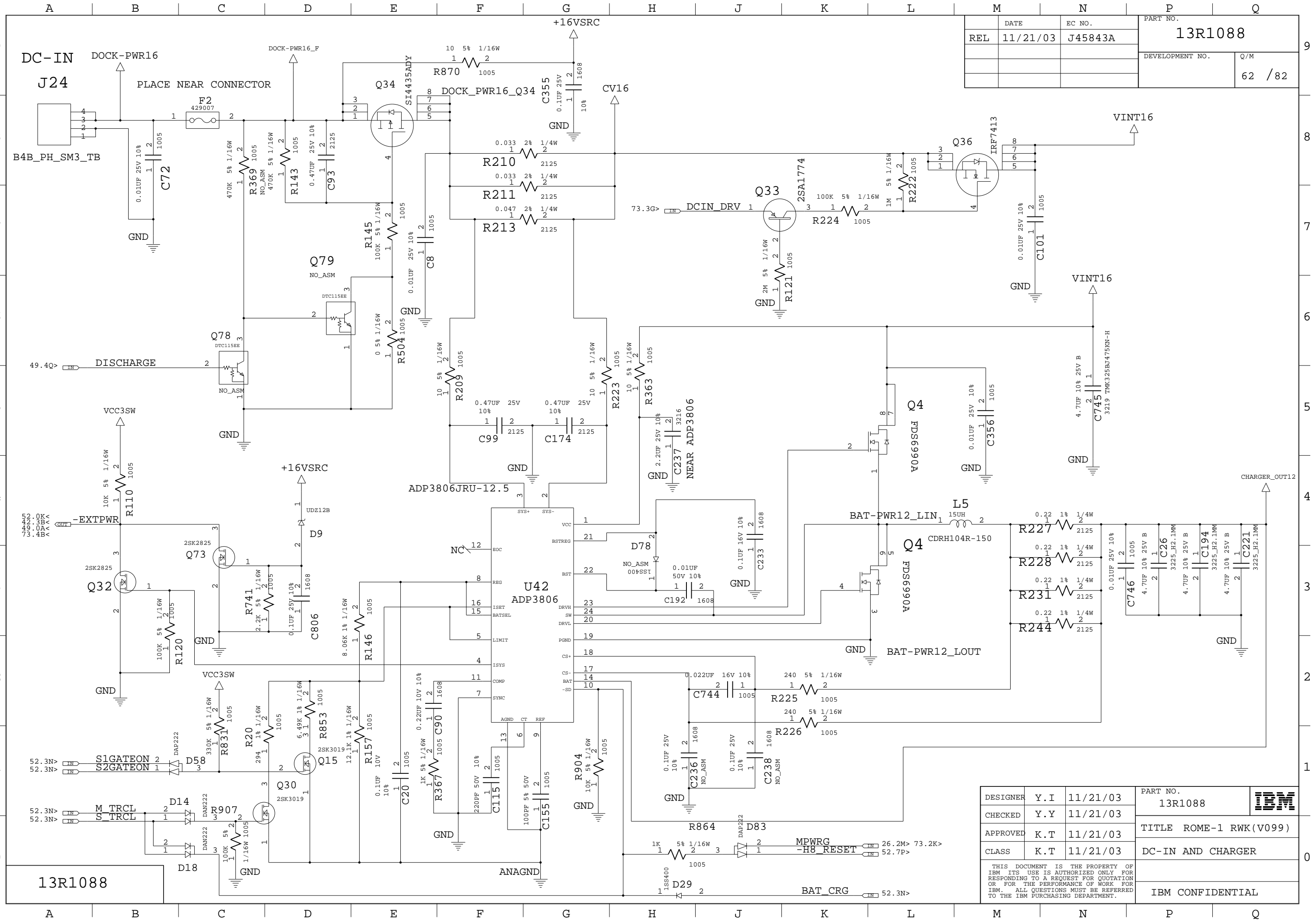
DESIGNER	Y.I	11/21/03	PART NO.	13R1088	
CHECKED	Y.Y	11/21/03	TITLE	ROME-1 RWK(V099)	
APPROVED	K.T	11/21/03	CLASS	I2CBUS/SMBUS/CRYPT	
THIS DOCUMENT IS THE PROPERTY OF IBM ITS USE IS AUTHORIZED ONLY FOR RESPONDING TO A REQUEST FOR QUOTATION OR FOR THE PERFORMANCE OF WORK FOR IBM. ALL QUESTIONS MUST BE REFERRED TO THE IBM PURCHASING DEPARTMENT.					IBM CONFIDENTIAL



	DATE	EC NO.	PART NO.	
REL	11/21/03	J45843A	13R1088	
			DEVELOPMENT NO.	Q/M
				61 / 82

13R1088

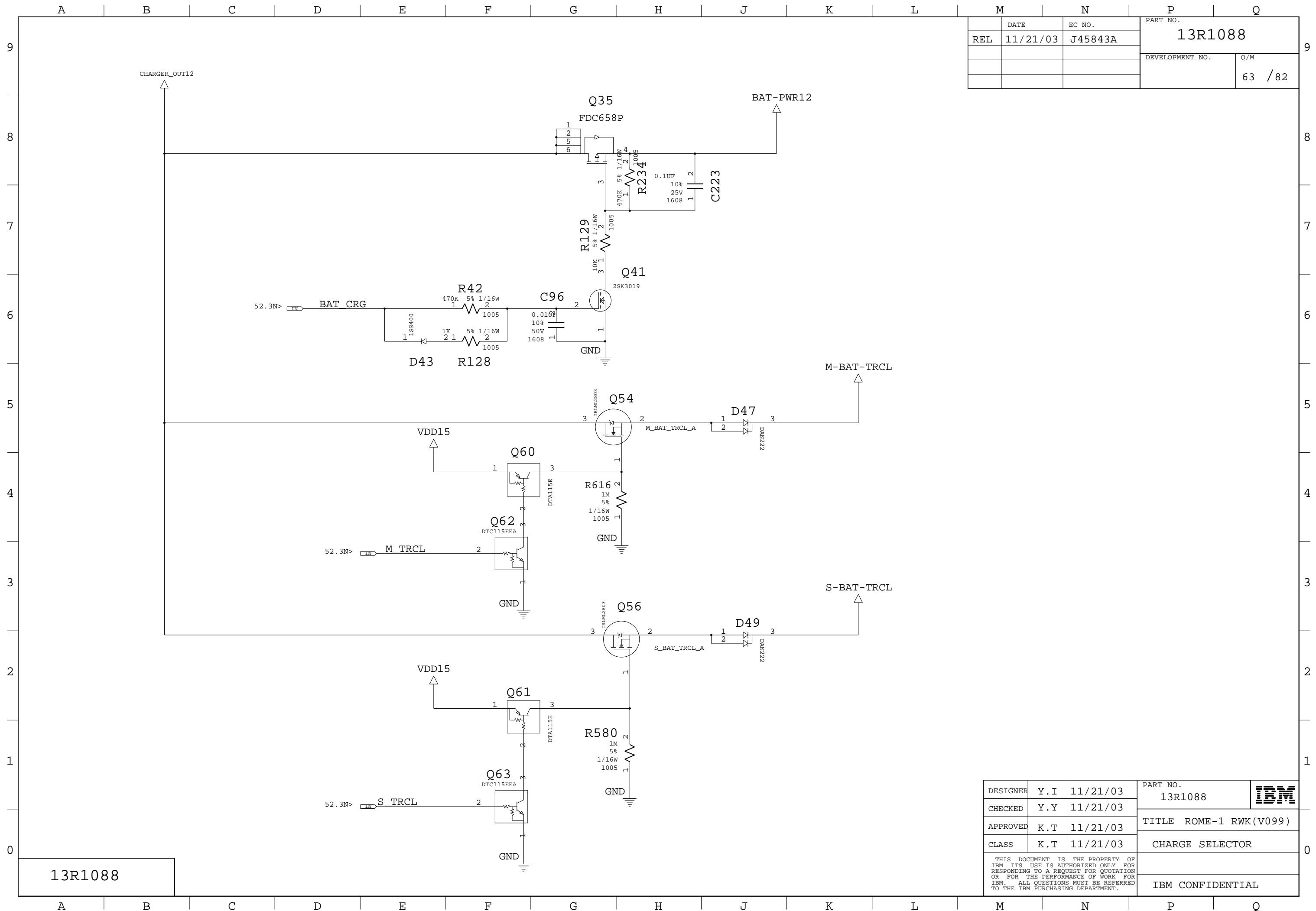
DESIGNER	Y. I	11/21/03	PART NO.	13R1088	IBM
CHECKED	Y. Y	11/21/03	TITLE		
APPROVED	K. T	11/21/03	FAN CONNECTOR		
CLASS	K. T	11/21/03	IBM CONFIDENTIAL		
<small>THIS DOCUMENT IS THE PROPERTY OF IBM. ITS USE IS AUTHORIZED ONLY FOR RESPONDING TO A REQUEST FOR QUOTATION OR FOR THE PERFORMANCE OF WORK FOR IBM. ALL QUESTIONS MUST BE REFERRED TO THE IBM PURCHASING DEPARTMENT.</small>					



REL	DATE	EC NO.	PART NO.
	11/21/03	J45843A	13R1088
			DEVELOPMENT NO.
			Q/M
			62 / 82

DESIGNER	Y.I	11/21/03	PART NO.	13R1088	
CHECKED	Y.Y	11/21/03	TITLE		
APPROVED	K.T	11/21/03	CLASS	DC-IN AND CHARGER	
THIS DOCUMENT IS THE PROPERTY OF IBM. ITS USE IS AUTHORIZED ONLY FOR RESPONDING TO A REQUEST FOR QUOTATION OR FOR THE PERFORMANCE OF WORK FOR IBM. ALL QUESTIONS MUST BE REFERRED TO THE IBM PURCHASING DEPARTMENT.				IBM CONFIDENTIAL	

13R1088

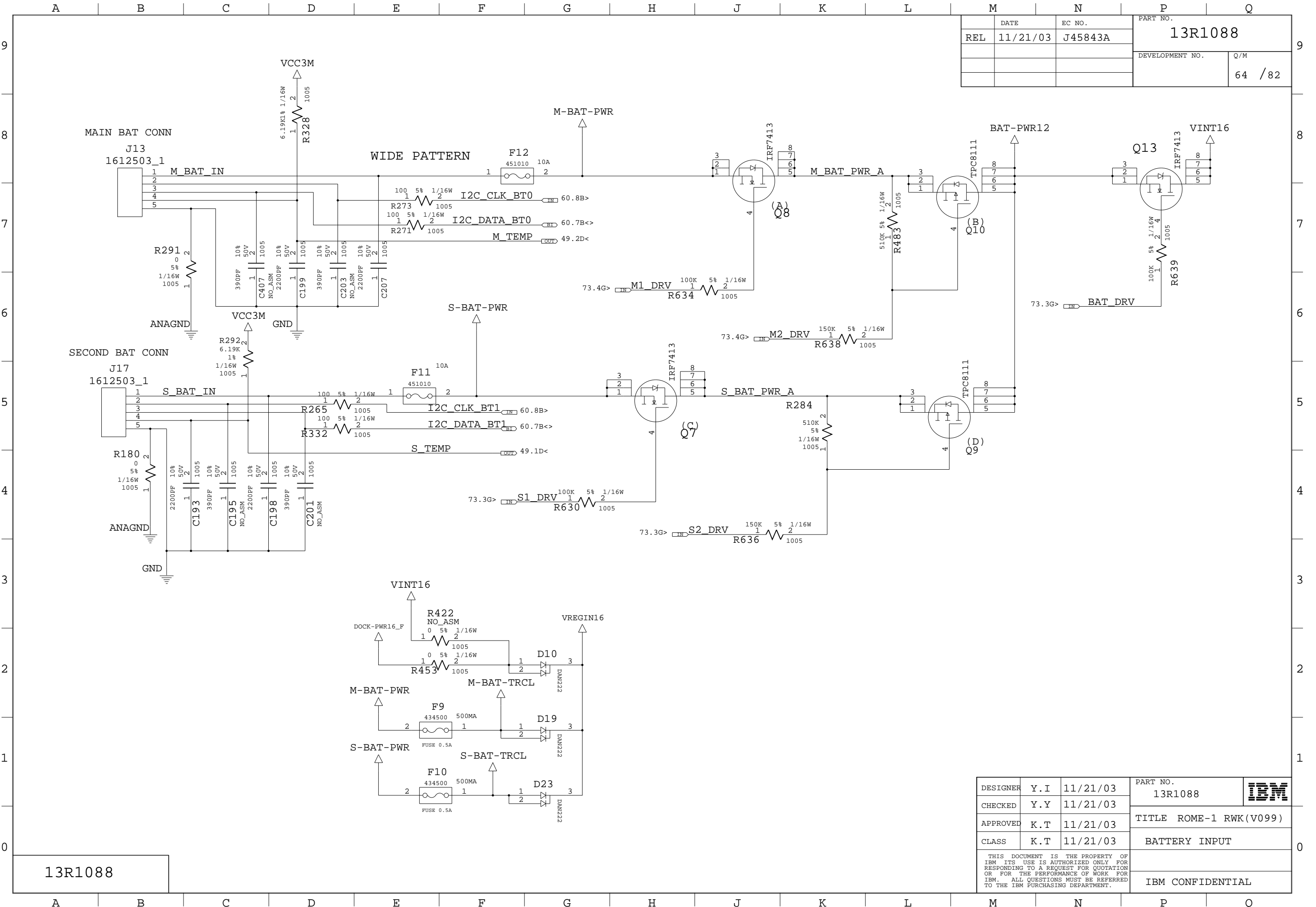


	DATE	EC NO.	PART NO.	
REL	11/21/03	J45843A	13R1088	
			DEVELOPMENT NO.	Q/M
				63 / 82

13R1088

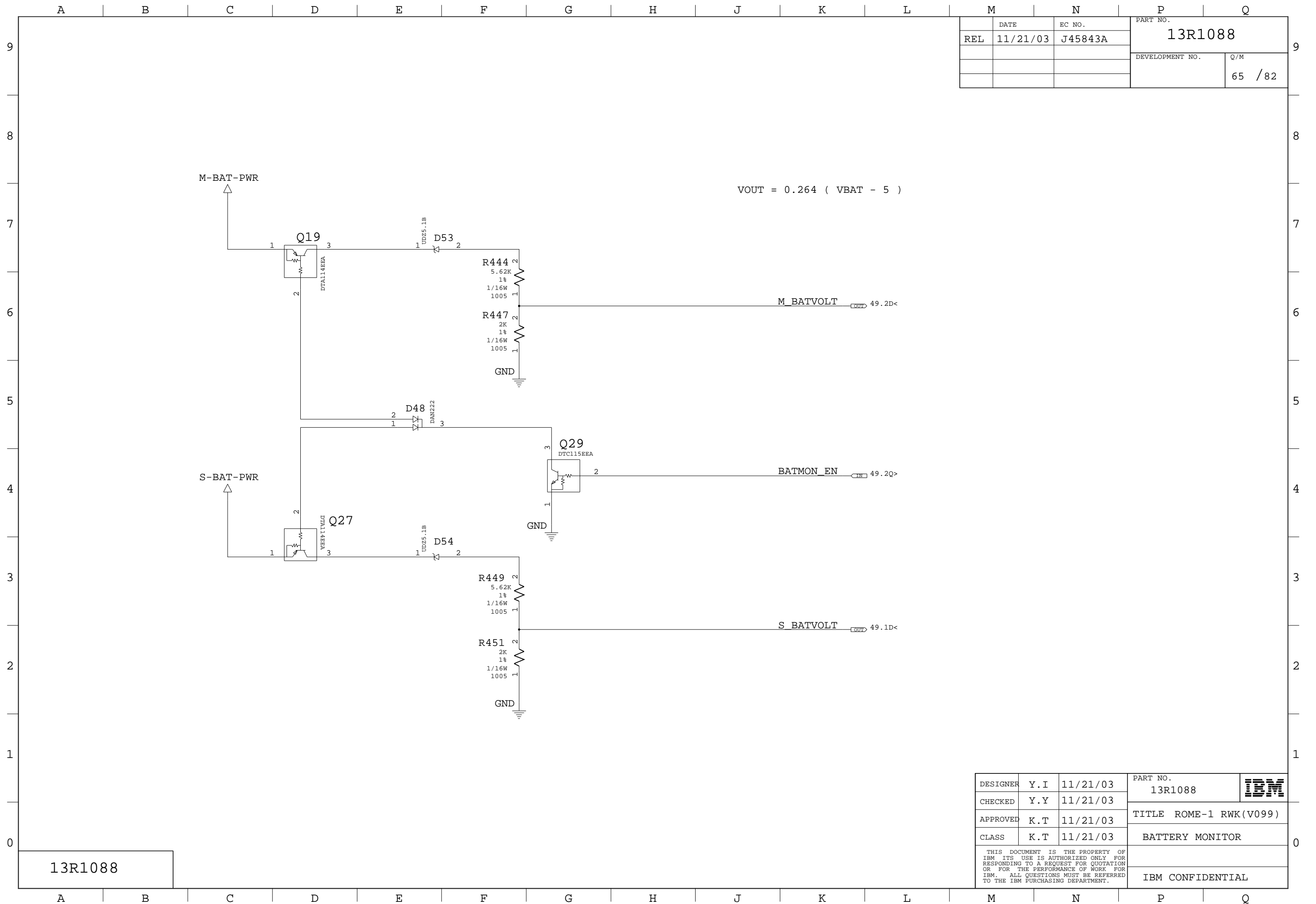
DESIGNER	Y. I	11/21/03	PART NO.	13R1088	
CHECKED	Y. Y	11/21/03	TITLE		
APPROVED	K. T	11/21/03	CLASS	CHARGE SELECTOR	
					THIS DOCUMENT IS THE PROPERTY OF IBM. ITS USE IS AUTHORIZED ONLY FOR RESPONDING TO A REQUEST FOR QUOTATION OR FOR THE PERFORMANCE OF WORK FOR IBM. ALL QUESTIONS MUST BE REFERRED TO THE IBM PURCHASING DEPARTMENT.
					IBM CONFIDENTIAL

REL	DATE	EC NO.	PART NO.
	11/21/03	J45843A	13R1088
			DEVELOPMENT NO.
			Q/M
			64 / 82



13R1088

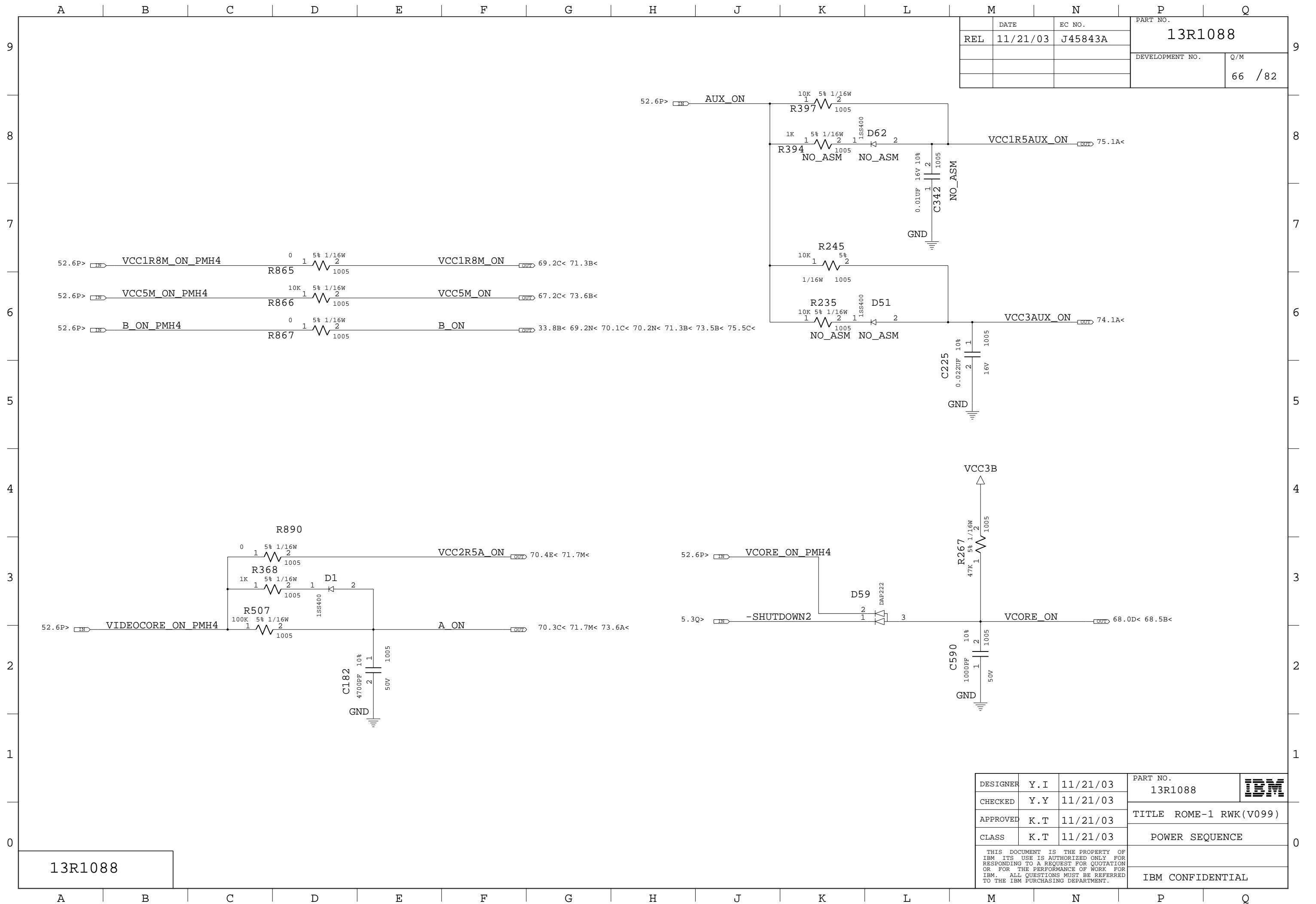
DESIGNER	Y.I	11/21/03	PART NO.	13R1088	
CHECKED	Y.Y	11/21/03	TITLE	ROME-1 RWK(V099)	
APPROVED	K.T	11/21/03	CLASS	BATTERY INPUT	
THIS DOCUMENT IS THE PROPERTY OF IBM. ITS USE IS AUTHORIZED ONLY FOR RESPONDING TO A REQUEST FOR QUOTATION OR FOR THE PERFORMANCE OF WORK FOR IBM. ALL QUESTIONS MUST BE REFERRED TO THE IBM PURCHASING DEPARTMENT.					IBM CONFIDENTIAL



	DATE	EC NO.	PART NO.	
REL	11/21/03	J45843A	13R1088	
			DEVELOPMENT NO.	Q/M
				65 /82

13R1088

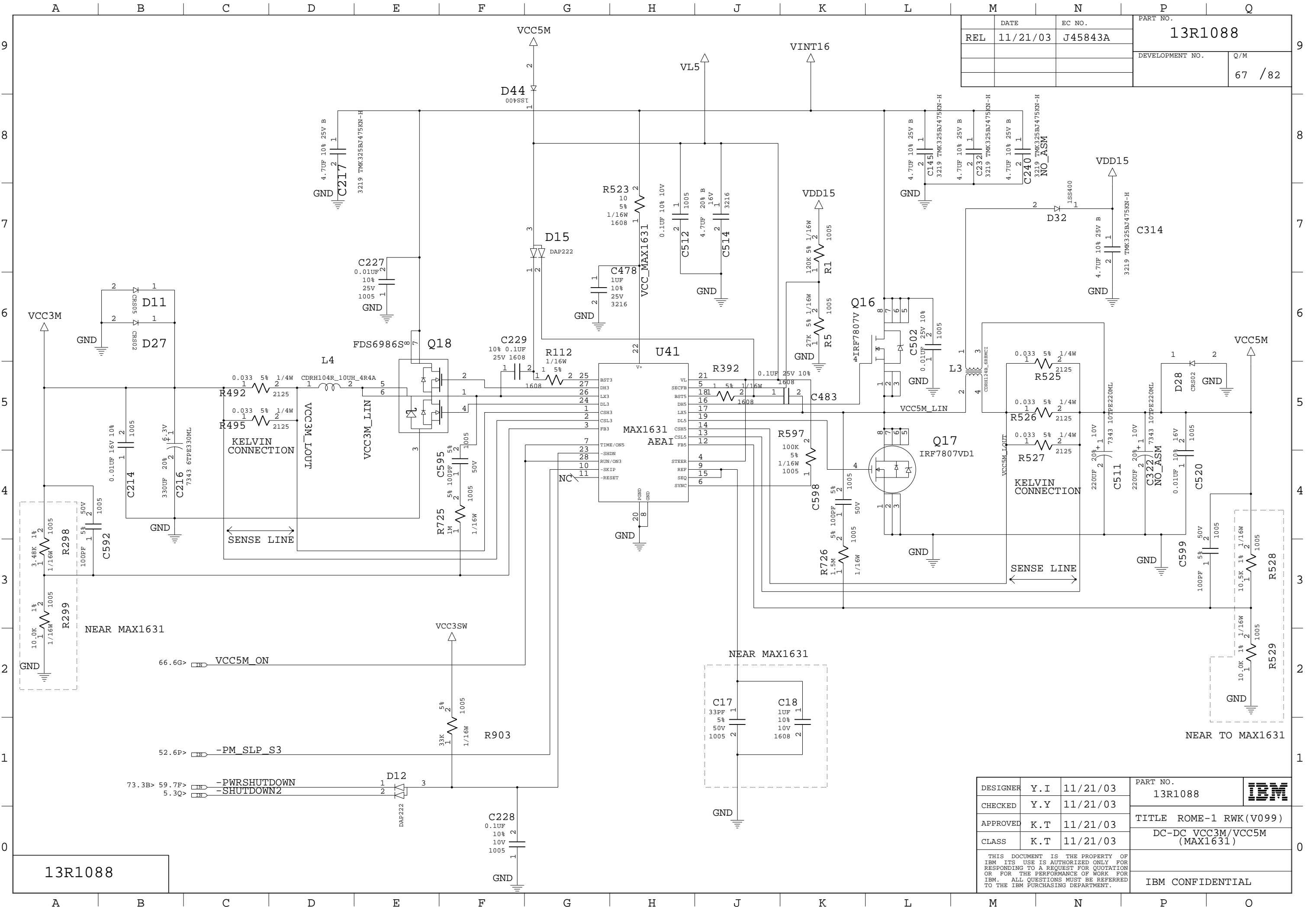
DESIGNER	Y. I	11/21/03	PART NO.	13R1088	IBM
CHECKED	Y. Y	11/21/03			
APPROVED	K. T	11/21/03	TITLE ROME-1 RWK(V099)		
CLASS	K. T	11/21/03	BATTERY MONITOR		
THIS DOCUMENT IS THE PROPERTY OF IBM. ITS USE IS AUTHORIZED ONLY FOR RESPONDING TO A REQUEST FOR QUOTATION OR FOR THE PERFORMANCE OF WORK FOR IBM. ALL QUESTIONS MUST BE REFERRED TO THE IBM PURCHASING DEPARTMENT.				IBM CONFIDENTIAL	



	DATE	EC NO.	PART NO.	
REL	11/21/03	J45843A	13R1088	
			DEVELOPMENT NO.	Q/M
				66 / 82

13R1088

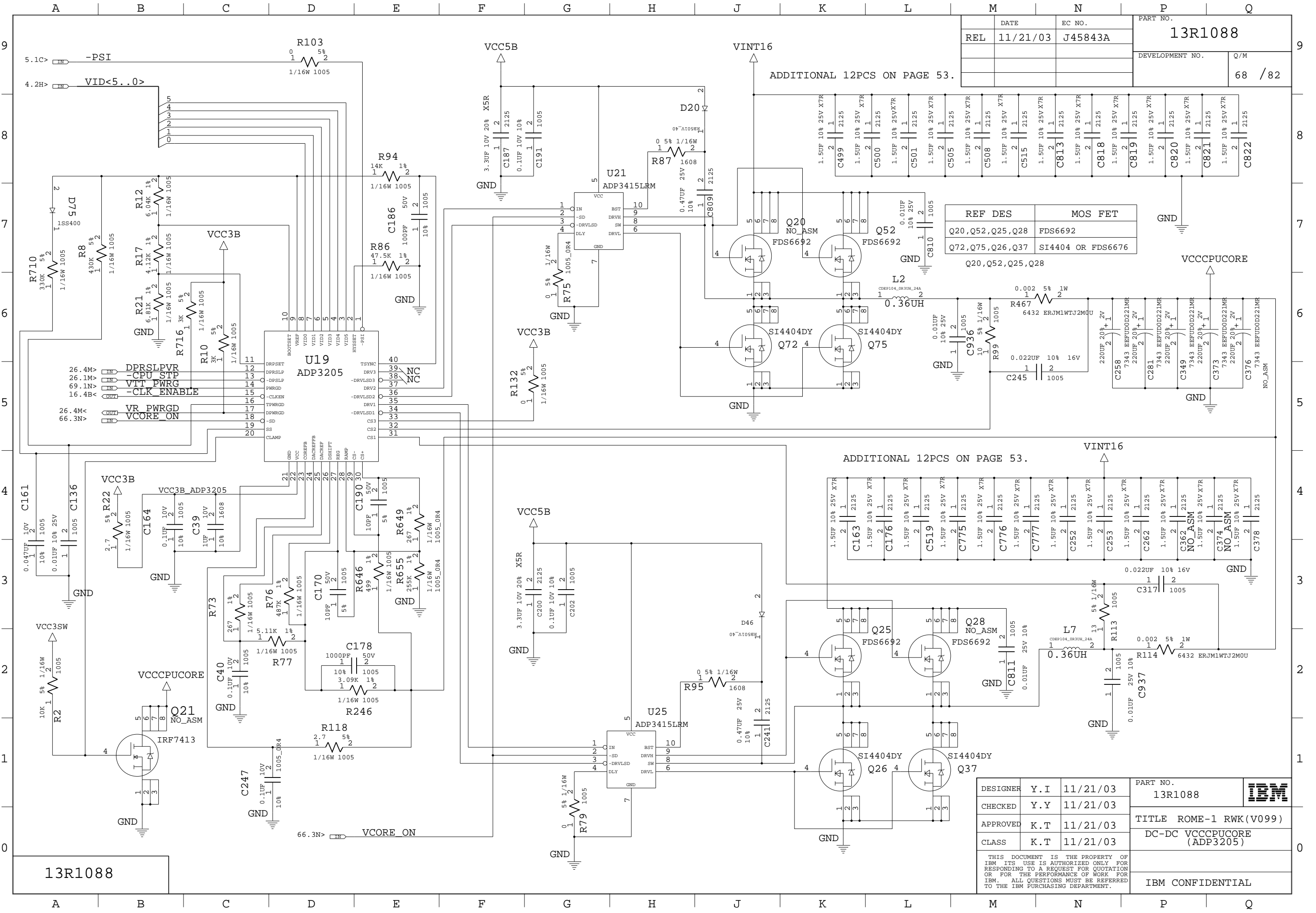
DESIGNER	Y.I	11/21/03	PART NO.	13R1088	IBM
CHECKED	Y.Y	11/21/03	TITLE		
APPROVED	K.T	11/21/03	CLASS	POWER SEQUENCE	
			THIS DOCUMENT IS THE PROPERTY OF IBM ITS USE IS AUTHORIZED ONLY FOR RESPONDING TO A REQUEST FOR QUOTATION OR FOR THE PERFORMANCE OF WORK FOR IBM. ALL QUESTIONS MUST BE REFERRED TO THE IBM PURCHASING DEPARTMENT.		
			IBM CONFIDENTIAL		



REL	DATE	EC NO.	PART NO.
	11/21/03	J45843A	13R1088
			DEVELOPMENT NO.
			Q/M
			67 / 82

13R1088

DESIGNER	Y.I	11/21/03	PART NO.	13R1088	
CHECKED	Y.Y	11/21/03	TITLE		
APPROVED	K.T	11/21/03	CLASS	DC-DC VCC3M/VCC5M (MAX1631)	
THIS DOCUMENT IS THE PROPERTY OF IBM. ITS USE IS AUTHORIZED ONLY FOR RESPONDING TO A REQUEST FOR QUOTATION OR FOR THE PERFORMANCE OF WORK FOR IBM. ALL QUESTIONS MUST BE REFERRED TO THE IBM PURCHASING DEPARTMENT.				IBM CONFIDENTIAL	



REL	DATE	EC NO.	PART NO.
	11/21/03	J45843A	13R1088
			DEVELOPMENT NO.
			Q/M
			68 / 82

REF DES	MOS FET
Q20, Q52, Q25, Q28	FDS6692
Q72, Q75, Q26, Q37	SI4404 OR FDS6676

DESIGNER	Y.I	11/21/03	PART NO.	13R1088	
CHECKED	Y.Y	11/21/03	TITLE	ROME-1 RWK (V099)	
APPROVED	K.T	11/21/03	DC-DC VCCCPUCORE (ADP3205)		
CLASS	K.T	11/21/03	IBM CONFIDENTIAL		

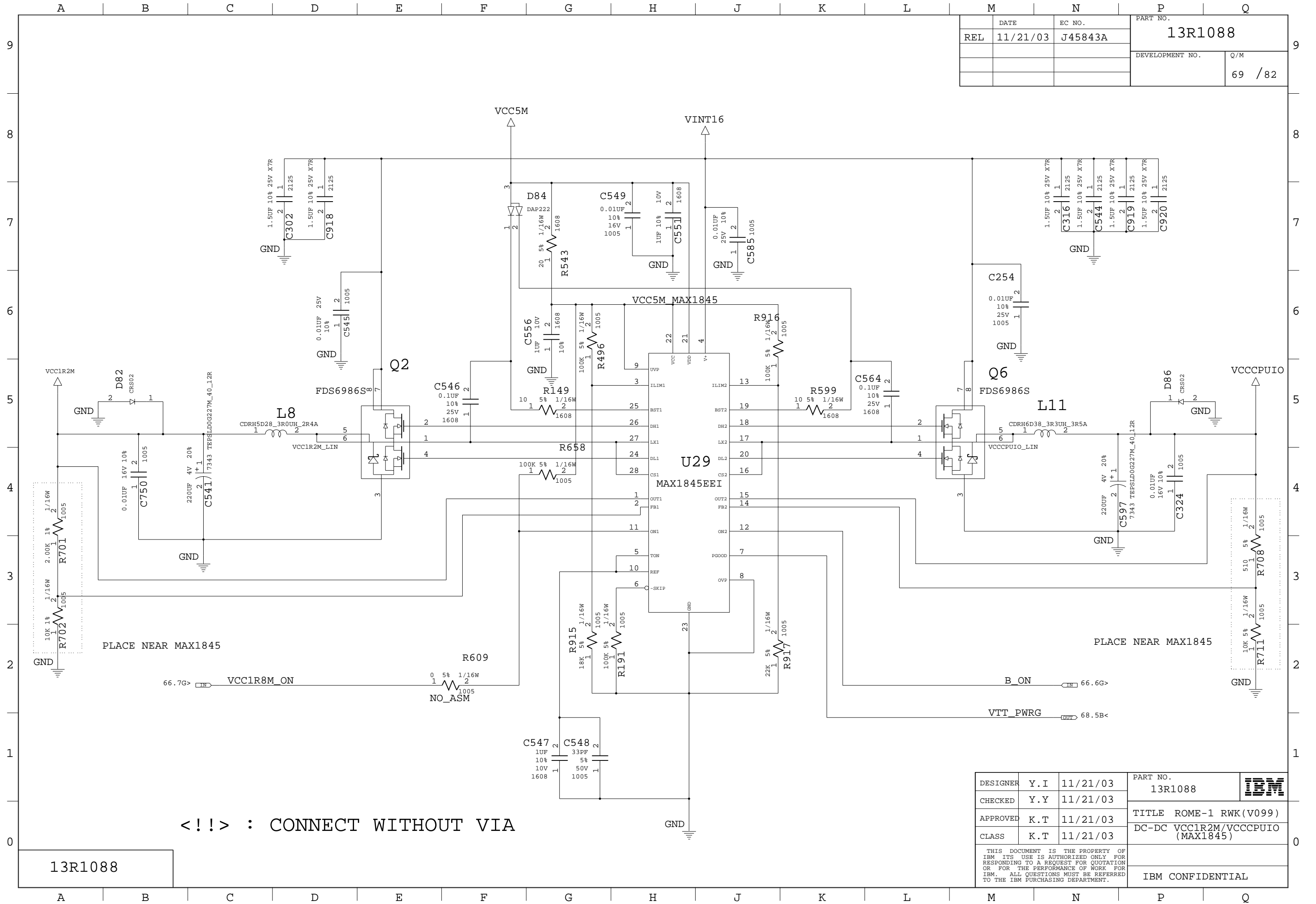
THIS DOCUMENT IS THE PROPERTY OF IBM. ITS USE IS AUTHORIZED ONLY FOR RESPONDING TO A REQUEST FOR QUOTATION OR FOR THE PERFORMANCE OF WORK FOR IBM. ALL QUESTIONS MUST BE REFERRED TO THE IBM PURCHASING DEPARTMENT.

ADDITIONAL 12PCS ON PAGE 53.

ADDITIONAL 12PCS ON PAGE 53.

13R1088

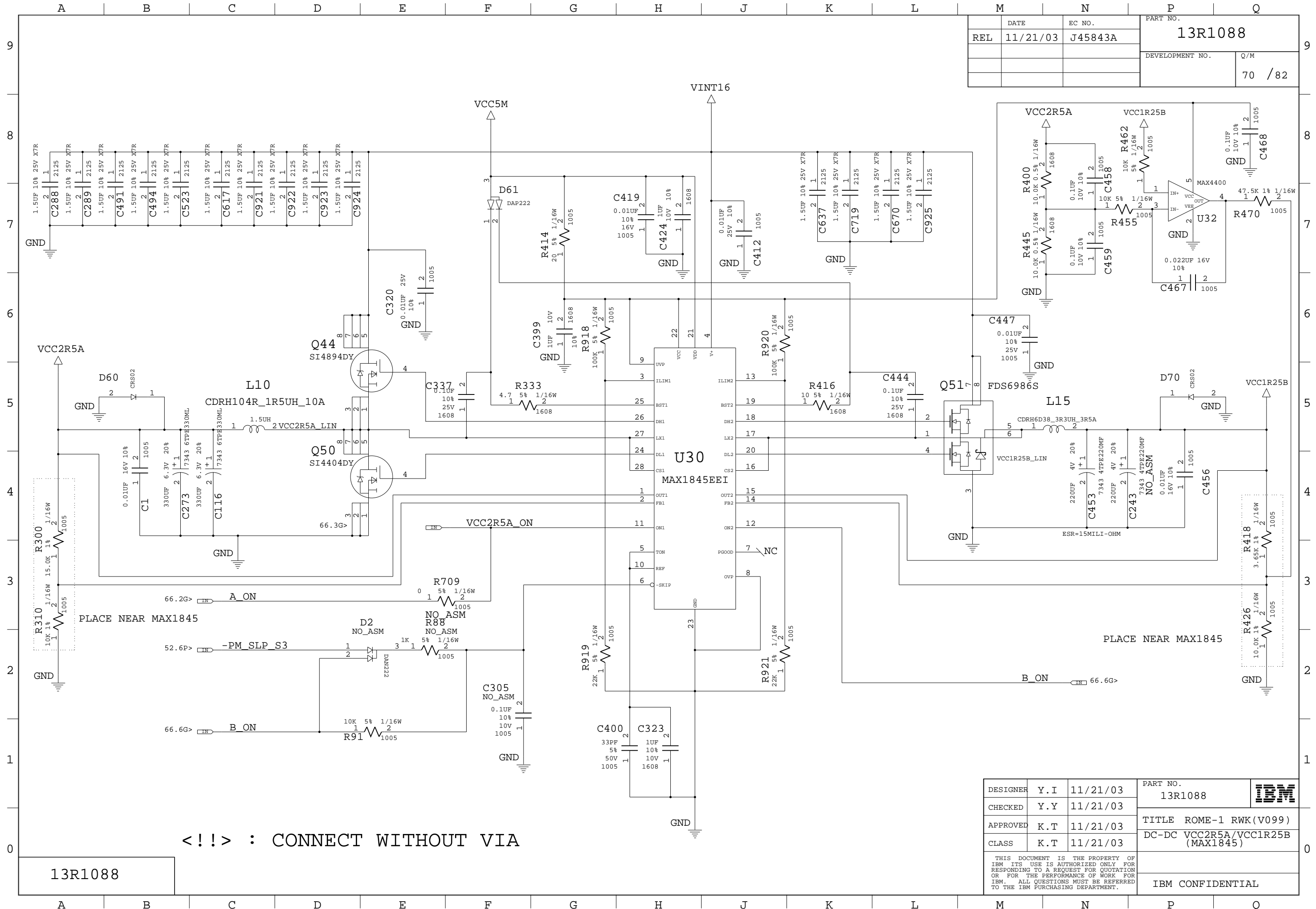
REL	DATE	EC NO.	PART NO.
	11/21/03	J45843A	13R1088
			DEVELOPMENT NO.
			Q/M
			69 / 82



<!!> : CONNECT WITHOUT VIA

13R1088

DESIGNER	Y.I	11/21/03	PART NO.	13R1088	
CHECKED	Y.Y	11/21/03	TITLE ROME-1 RWK(V099)		
APPROVED	K.T	11/21/03	DC-DC VCC1R2M/VCCCPUIO (MAX1845)		
CLASS	K.T	11/21/03			
THIS DOCUMENT IS THE PROPERTY OF IBM. ITS USE IS AUTHORIZED ONLY FOR RESPONDING TO A REQUEST FOR QUOTATION OR FOR THE PERFORMANCE OF WORK FOR IBM. ALL QUESTIONS MUST BE REFERRED TO THE IBM PURCHASING DEPARTMENT.					IBM CONFIDENTIAL



REL	DATE	EC NO.	PART NO.
	11/21/03	J45843A	13R1088
			DEVELOPMENT NO.
			Q/M
			70 / 82

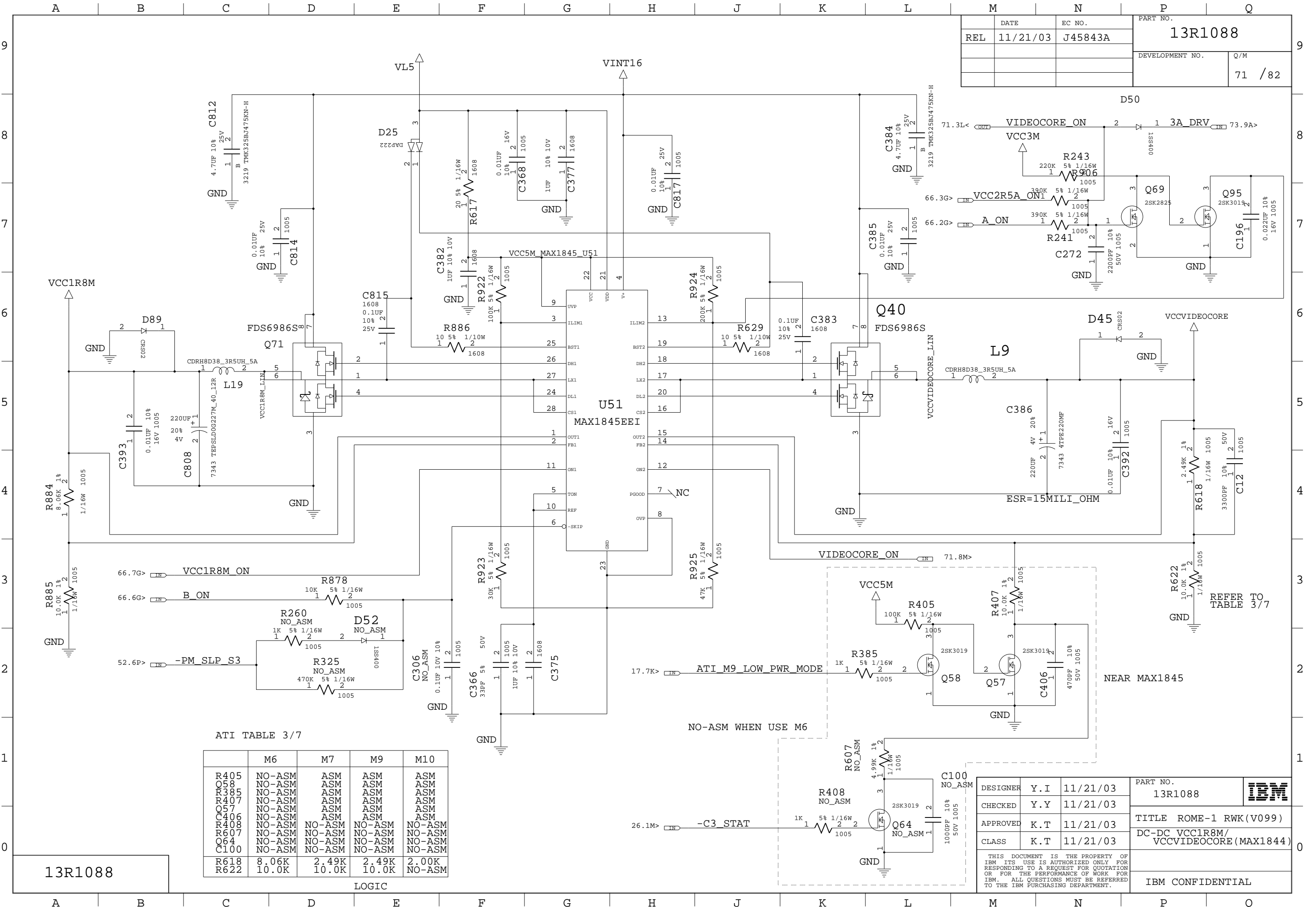
<!!> : CONNECT WITHOUT VIA

13R1088

DESIGNER	Y.I	11/21/03	PART NO.	13R1088	
CHECKED	Y.Y	11/21/03	TITLE		
APPROVED	K.T	11/21/03	CLASS	DC-DC VCC2R5A/VCC1R25B (MAX1845)	
					IBM CONFIDENTIAL

THIS DOCUMENT IS THE PROPERTY OF IBM ITS USE IS AUTHORIZED ONLY FOR RESPONDING TO A REQUEST FOR QUOTATION OR FOR THE PERFORMANCE OF WORK FOR IBM. ALL QUESTIONS MUST BE REFERRED TO THE IBM PURCHASING DEPARTMENT.

DATE	EC NO.	PART NO.	
REL 11/21/03	J45843A	13R1088	
		DEVELOPMENT NO.	Q/M
		71	/82



ATI TABLE 3/7

	M6	M7	M9	M10
R405	NO-ASM	ASM	ASM	ASM
Q58	NO-ASM	ASM	ASM	ASM
R385	NO-ASM	ASM	ASM	ASM
R407	NO-ASM	ASM	ASM	ASM
Q57	NO-ASM	ASM	ASM	ASM
C406	NO-ASM	ASM	ASM	ASM
R408	NO-ASM	NO-ASM	NO-ASM	NO-ASM
R607	NO-ASM	NO-ASM	NO-ASM	NO-ASM
Q64	NO-ASM	NO-ASM	NO-ASM	NO-ASM
C100	NO-ASM	NO-ASM	NO-ASM	NO-ASM
R618	8.06K	2.49K	2.00K	
R622	10.0K	10.0K	NO-ASM	

LOGIC

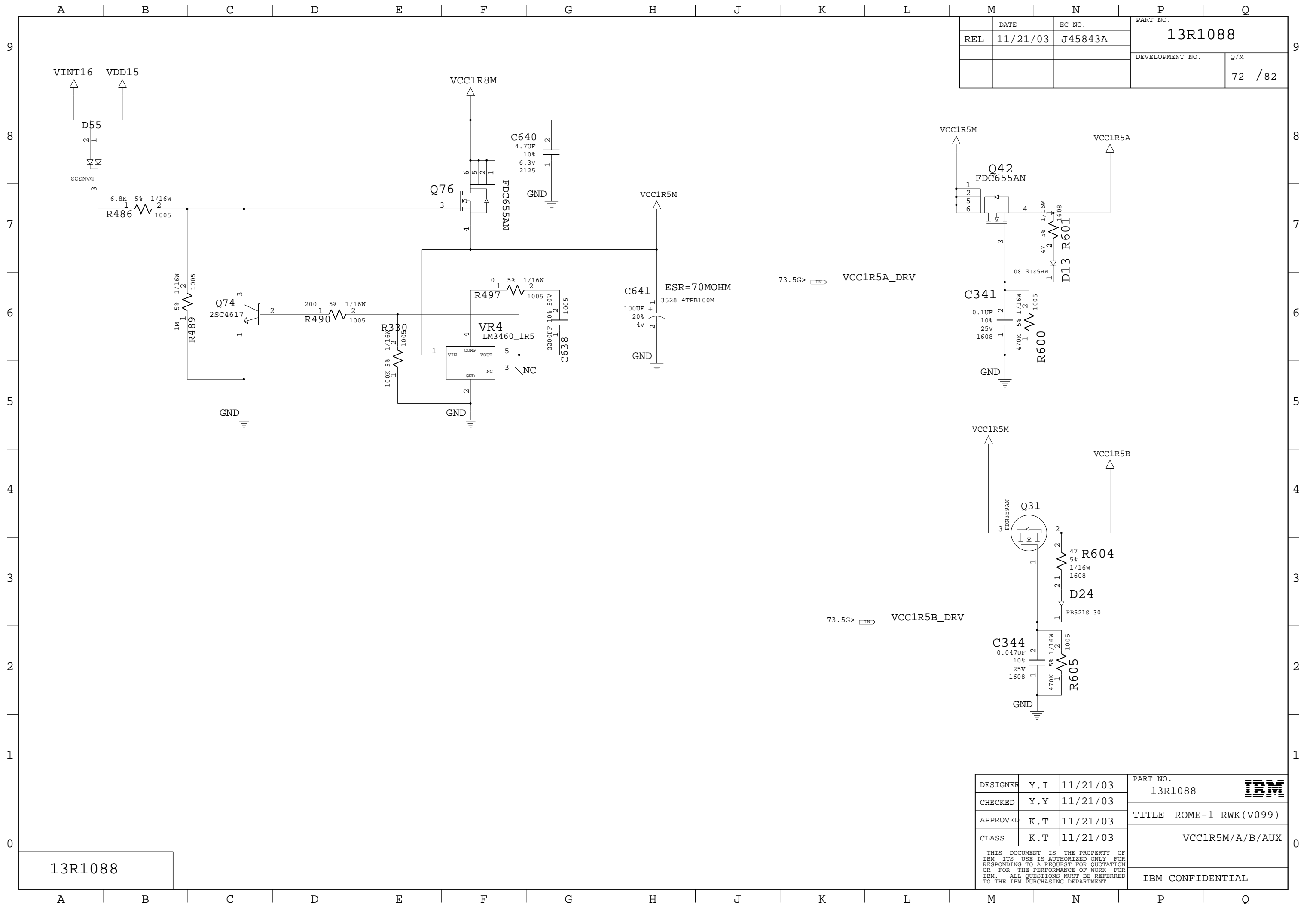
13R1088

REFER TO TABLE 3/7

NEAR MAX1845

NO-ASM WHEN USE M6

DESIGNER	Y.I	11/21/03	PART NO.	13R1088	
CHECKED	Y.Y	11/21/03	TITLE ROME-1 RWK(V099)		
APPROVED	K.T	11/21/03	DC-DC VCC1R8M/ VCCVIDEOCORE (MAX1844)		
CLASS	K.T	11/21/03			
THIS DOCUMENT IS THE PROPERTY OF IBM ITS USE IS AUTHORIZED ONLY FOR RESPONDING TO A REQUEST FOR QUOTATION OR FOR THE PERFORMANCE OF WORK FOR IBM. ALL QUESTIONS MUST BE REFERRED TO THE IBM PURCHASING DEPARTMENT.					IBM CONFIDENTIAL

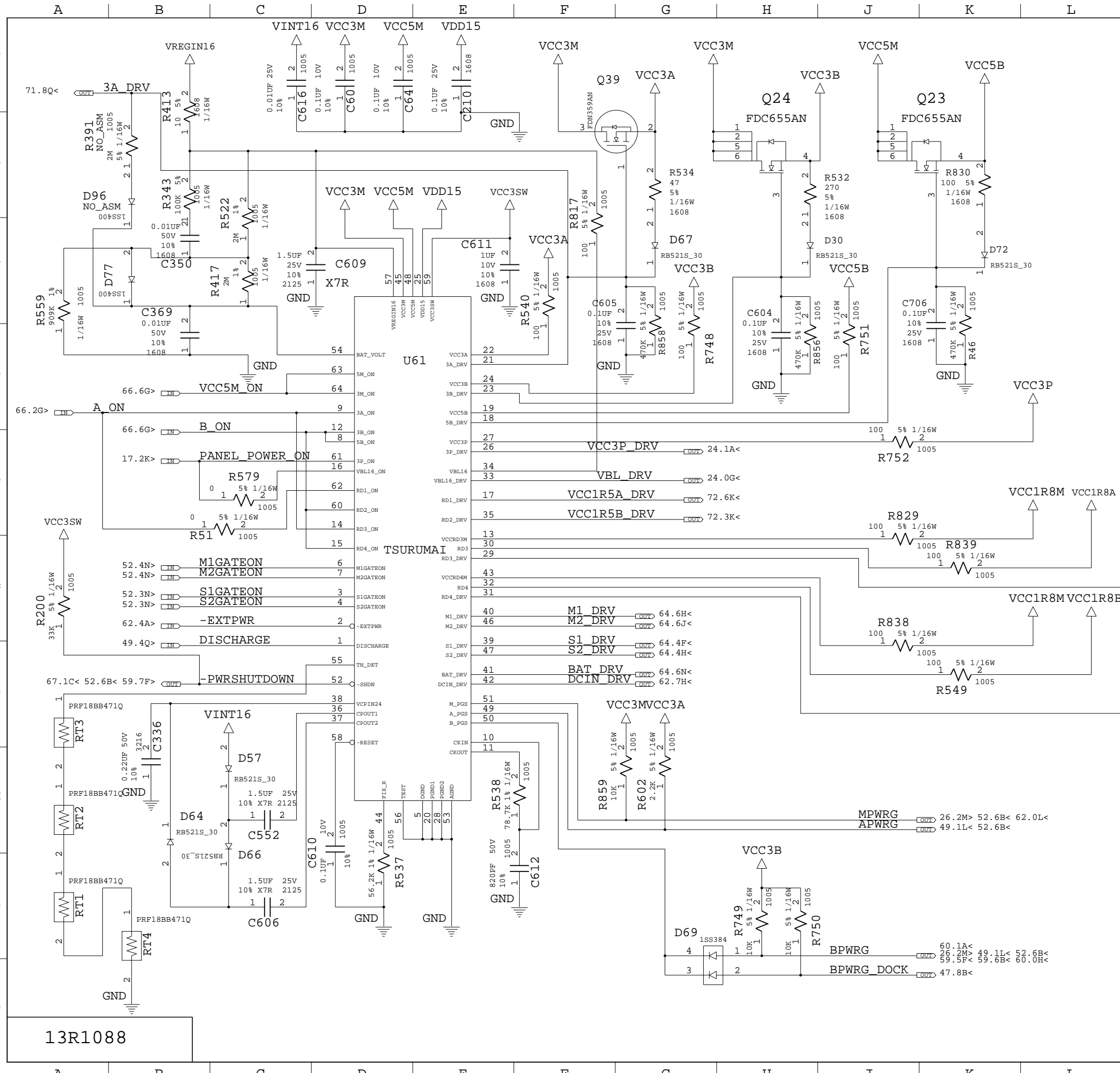


REL	DATE	EC NO.	PART NO.	
	11/21/03	J45843A	13R1088	
			DEVELOPMENT NO.	Q/M
				72 / 82

13R1088

DESIGNER	Y. I	11/21/03	PART NO.	13R1088	IBM
CHECKED	Y. Y	11/21/03	TITLE		
APPROVED	K. T	11/21/03	VCC1R5M/A/B/AUX		
CLASS	K. T	11/21/03	THIS DOCUMENT IS THE PROPERTY OF IBM. ITS USE IS AUTHORIZED ONLY FOR RESPONDING TO A REQUEST FOR QUOTATION OR FOR THE PERFORMANCE OF WORK FOR IBM. ALL QUESTIONS MUST BE REFERRED TO THE IBM PURCHASING DEPARTMENT.		
			IBM CONFIDENTIAL		

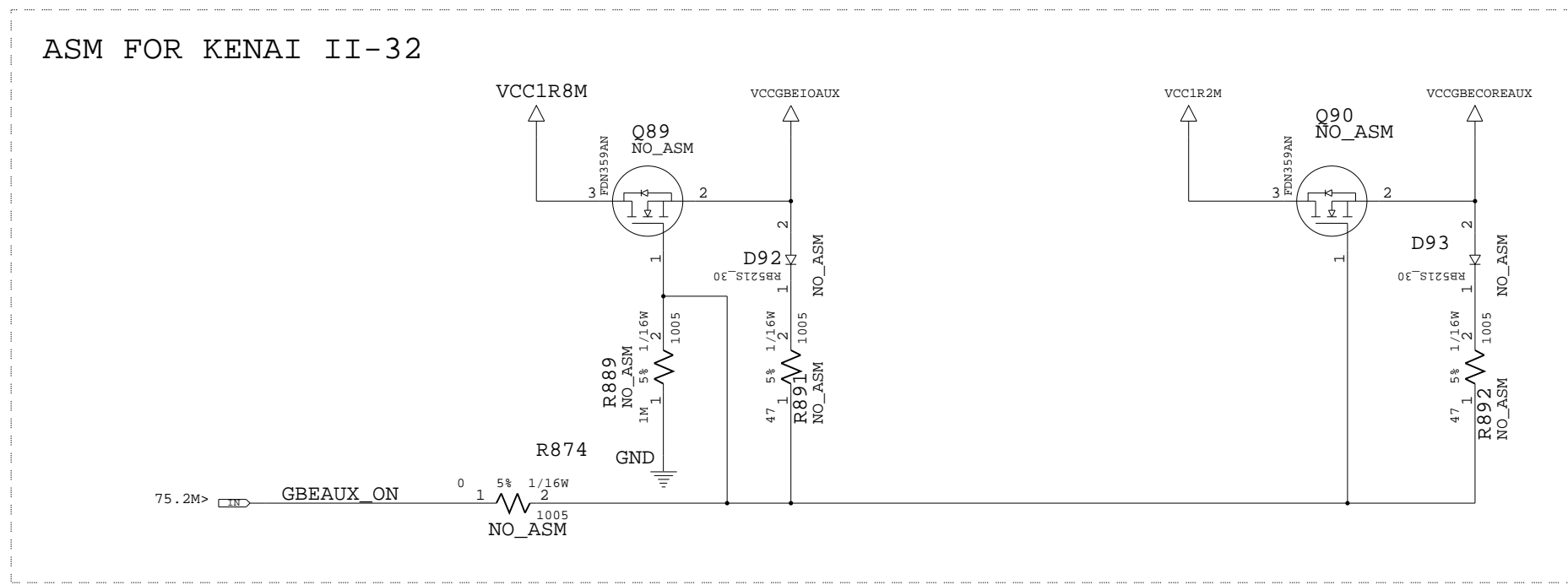
REL	DATE	EC NO.	PART NO.
	11/21/03	J45843A	13R1088
			DEVELOPMENT NO.
			Q/M
			73 / 82



13R1088

DESIGNER	Y.I	11/21/03	PART NO.	13R1088	IBM
CHECKED	Y.Y	11/21/03	TITLE	ROME-1 RWK(V099)	
APPROVED	K.T	11/21/03		TSURUMAI	
CLASS	K.T	11/21/03			
THIS DOCUMENT IS THE PROPERTY OF IBM ITS USE IS AUTHORIZED ONLY FOR RESPONDING TO A REQUEST FOR QUOTATION OR FOR THE PERFORMANCE OF WORK FOR IBM. ALL QUESTIONS MUST BE REFERRED TO THE IBM PURCHASING DEPARTMENT.					IBM CONFIDENTIAL

	DATE	EC NO.	PART NO.	
REL	11/21/03	J45843A	13R1088	
			DEVELOPMENT NO.	Q/M
				74 / 82

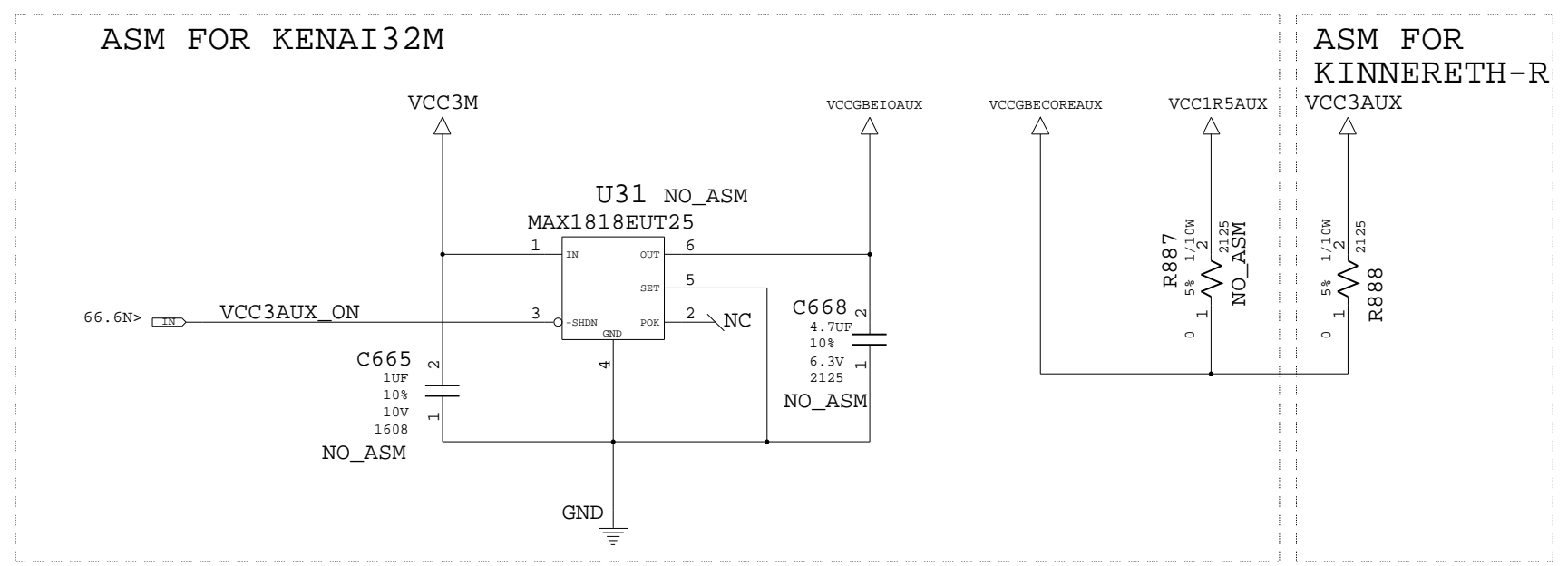


	KENAI32	KINNERETH-R	KENAI2-32
VCCGBECOREAUX	1.5V	3.3V	1.2V
VCCGBIOAUX	2.5V	N.C.	1.8V

ETHERNET TABLE (5/5)

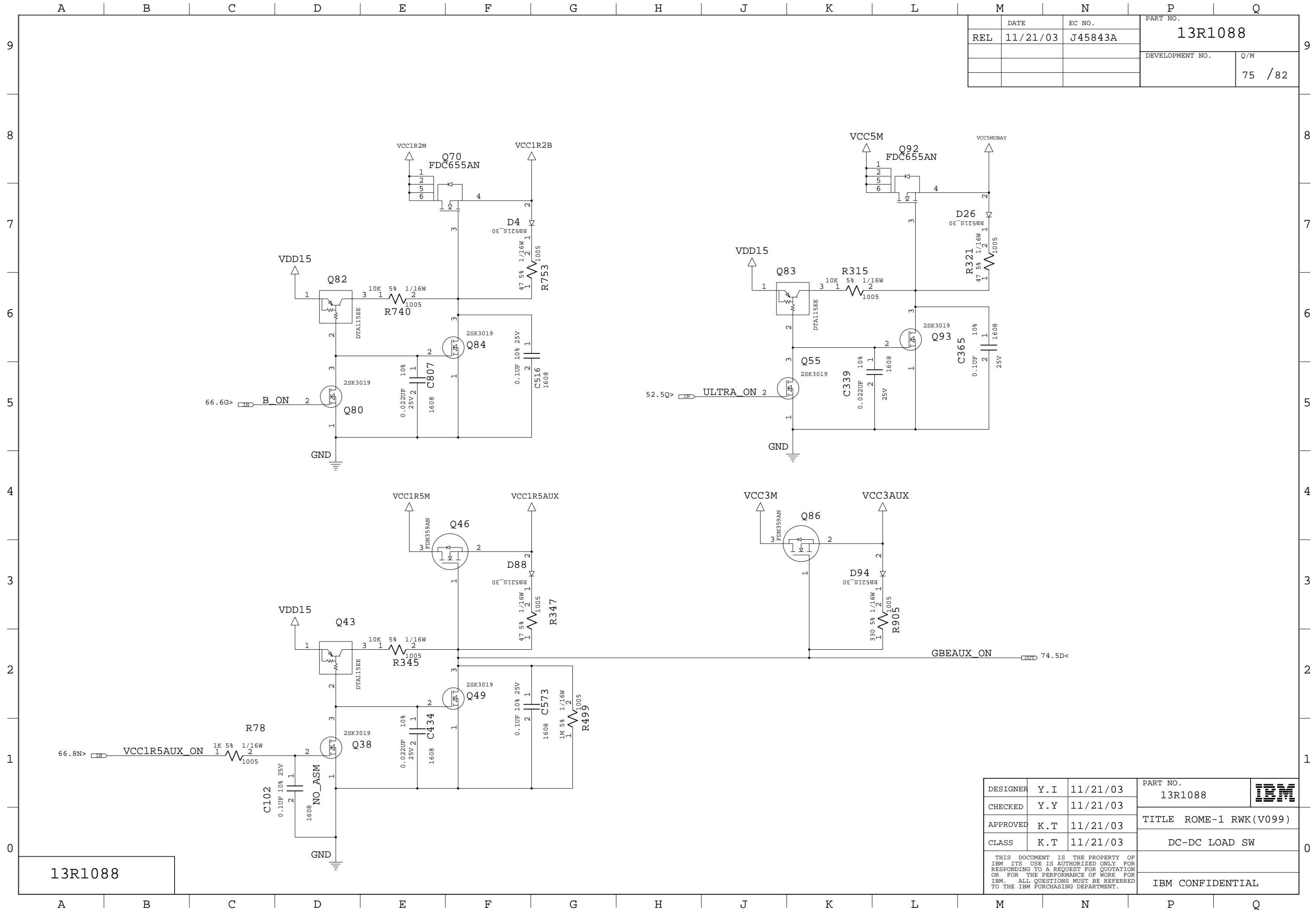
		KENNERETH-R	KENAI2-32	KENAI32M
2.5V	U31	NO-ASM	NO-ASM	ASM
	C665	NO-ASM	NO-ASM	ASM
	C668	NO-ASM	NO-ASM	ASM
1.5V	R887	NO-ASM	NO-ASM	ASM
3.3V	R888	ASM	NO-ASM	NO-ASM
1.2V	Q89	NO-ASM	ASM	NO-ASM
	R874	NO-ASM	ASM	NO-ASM
	R889	NO-ASM	ASM	NO-ASM
	D92	NO-ASM	ASM	NO-ASM
1.8V	Q90	NO-ASM	ASM	NO-ASM
	R892	NO-ASM	ASM	NO-ASM
	D93	NO-ASM	ASM	NO-ASM

LOGIC



13R1088

DESIGNER	Y.I	11/21/03	PART NO.	13R1088	
CHECKED	Y.Y	11/21/03	TITLE ROME-1 RWK(V099)		
APPROVED	K.T	11/21/03	DC-DC VCC2R5AUX, LOAD SW		
CLASS	K.T	11/21/03	THIS DOCUMENT IS THE PROPERTY OF IBM. ITS USE IS AUTHORIZED ONLY FOR RESPONDING TO A REQUEST FOR QUOTATION OR FOR THE PERFORMANCE OF WORK FOR IBM. ALL QUESTIONS MUST BE REFERRED TO THE IBM PURCHASING DEPARTMENT.		IBM CONFIDENTIAL

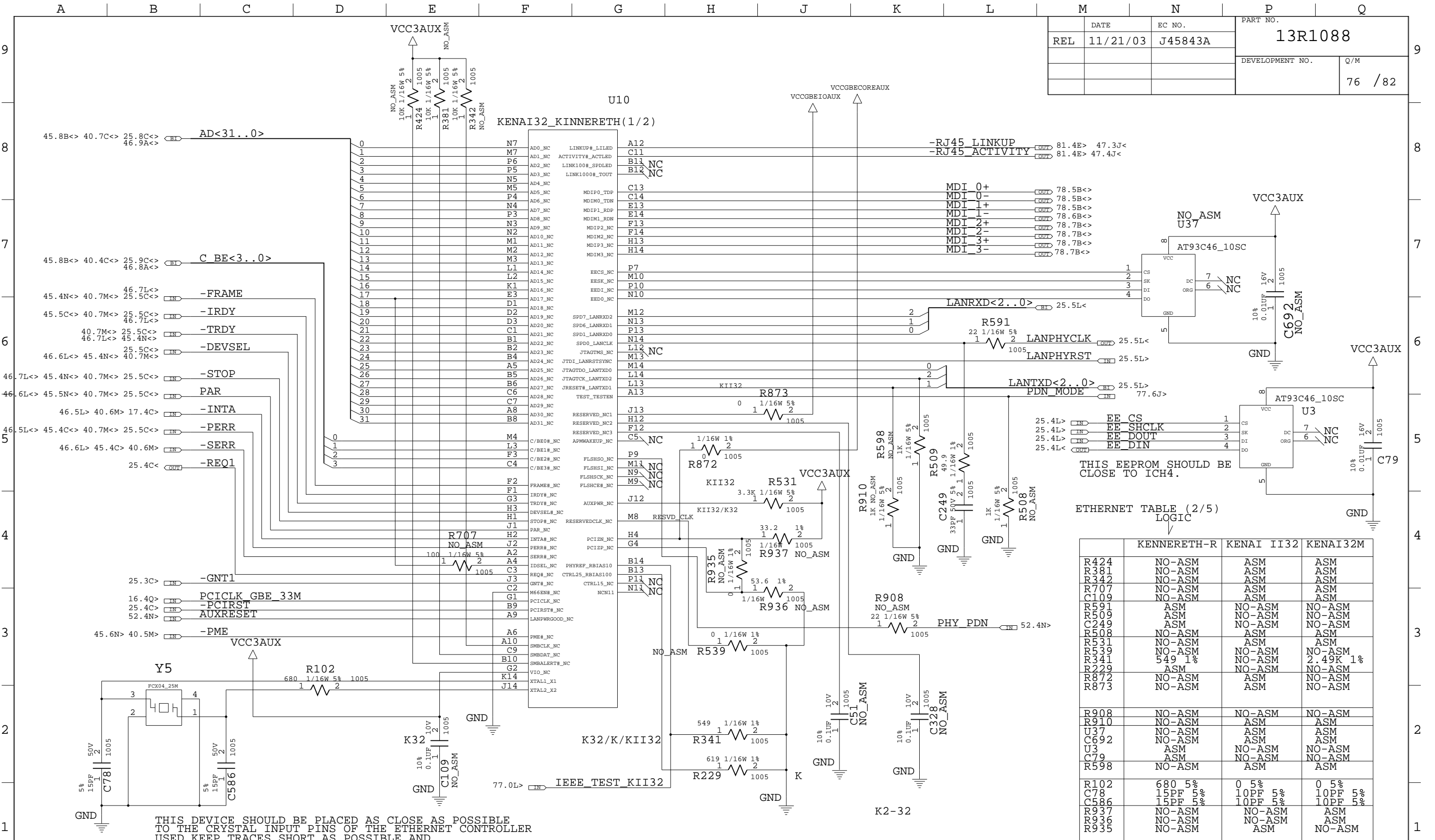


	DATE	EC NO.	PART NO.	
REL	11/21/03	J45843A	13R1088	
			DEVELOPMENT NO.	Q/M
				75 / 82

13R1088

DESIGNER	Y.I	11/21/03	PART NO.	13R1088	
CHECKED	Y.Y	11/21/03	TITLE		
APPROVED	K.T	11/21/03	CLASS	DC-DC LOAD SW	
THIS DOCUMENT IS THE PROPERTY OF IBM. ITS USE IS AUTHORIZED ONLY FOR RESPONDING TO A REQUEST FOR QUOTATION OR FOR THE PERFORMANCE OF WORK FOR IBM. ALL QUESTIONS MUST BE REFERRED TO THE IBM PURCHASING DEPARTMENT.					IBM CONFIDENTIAL

REL	DATE	EC NO.	PART NO.
	11/21/03	J45843A	13R1088
			DEVELOPMENT NO.
			Q/M
			76 / 82



THIS EEPROM SHOULD BE CLOSE TO ICH4.

ETHERNET TABLE (2/5)
LOGIC

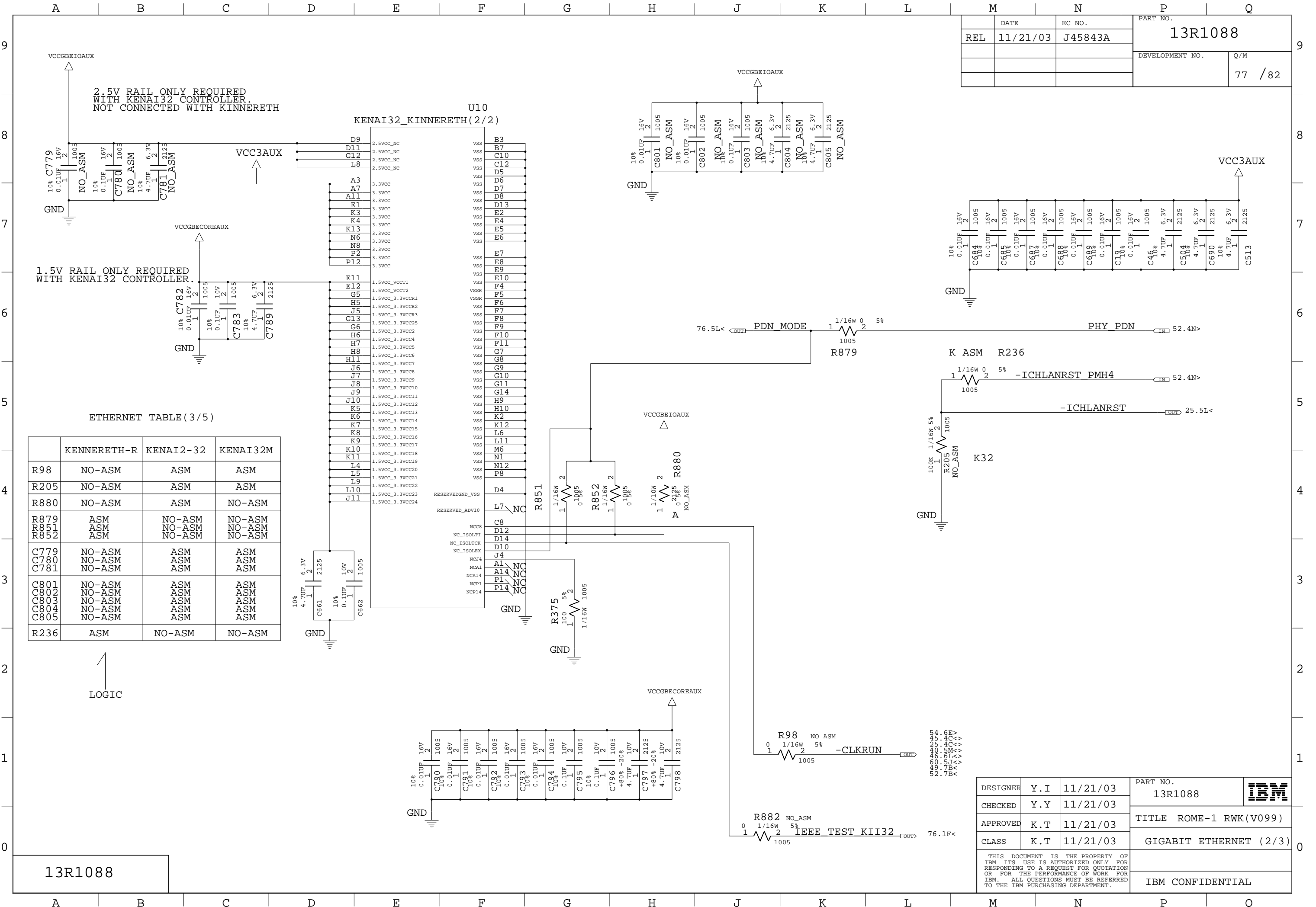
	KENNERETH-R	KENAI II32	KENAI32M
R424	NO-ASM	ASM	ASM
R381	NO-ASM	ASM	ASM
R342	NO-ASM	ASM	ASM
R707	NO-ASM	ASM	ASM
C109	NO-ASM	ASM	ASM
R591	ASM	NO-ASM	NO-ASM
R509	ASM	NO-ASM	NO-ASM
C249	ASM	NO-ASM	NO-ASM
R508	NO-ASM	ASM	ASM
R531	NO-ASM	ASM	ASM
R539	NO-ASM	NO-ASM	NO-ASM
R341	549 1%	NO-ASM	2.49K 1%
R229	ASM	NO-ASM	NO-ASM
R872	NO-ASM	ASM	NO-ASM
R873	NO-ASM	ASM	NO-ASM
R908	NO-ASM	NO-ASM	NO-ASM
R910	NO-ASM	ASM	ASM
U37	NO-ASM	ASM	ASM
C692	NO-ASM	ASM	ASM
U3	ASM	NO-ASM	NO-ASM
C79	ASM	NO-ASM	NO-ASM
R598	NO-ASM	ASM	ASM
R102	680 5%	0 5%	0 5%
C78	15PF 5%	10PF 5%	10PF 5%
C586	15PF 5%	10PF 5%	10PF 5%
R937	NO-ASM	NO-ASM	ASM
R936	NO-ASM	NO-ASM	ASM
R935	NO-ASM	ASM	NO-ASM

KII32:INSTALL COMPONENT IF USING KENAI II 32 MAC/PHY
K32:INSTALL COMPONENT IF USING KENAI32 MAC/PHY
K:INSTALL COMPONENT IF USING KINNERETHPHY
FOR R341 : INSTALL 549 OHM RESISTOR (1%) WITH KINNERETH CONTROLLER OR 2.49K OHM RESISTOR (1%) WITH KENAI32 CONTROLLER BUT NO RESISTER WITH KENAI II 32.

DESIGNER	Y.I	11/21/03	PART NO.	13R1088	
CHECKED	Y.Y	11/21/03			
APPROVED	K.T	11/21/03	TITLE ROME-1 RWK(V099)		
CLASS	K.T	11/21/03	GIGABIT ETHERNET (1/3)		
THIS DOCUMENT IS THE PROPERTY OF IBM ITS USE IS AUTHORIZED ONLY FOR RESPONDING TO A REQUEST FOR QUOTATION OR FOR THE PERFORMANCE OF WORK FOR IBM. ALL QUESTIONS MUST BE REFERRED TO THE IBM PURCHASING DEPARTMENT.					IBM CONFIDENTIAL

13R1088

DATE	EC NO.	PART NO.
REL 11/21/03	J45843A	13R1088
DEVELOPMENT NO.		Q/M
		77 / 82

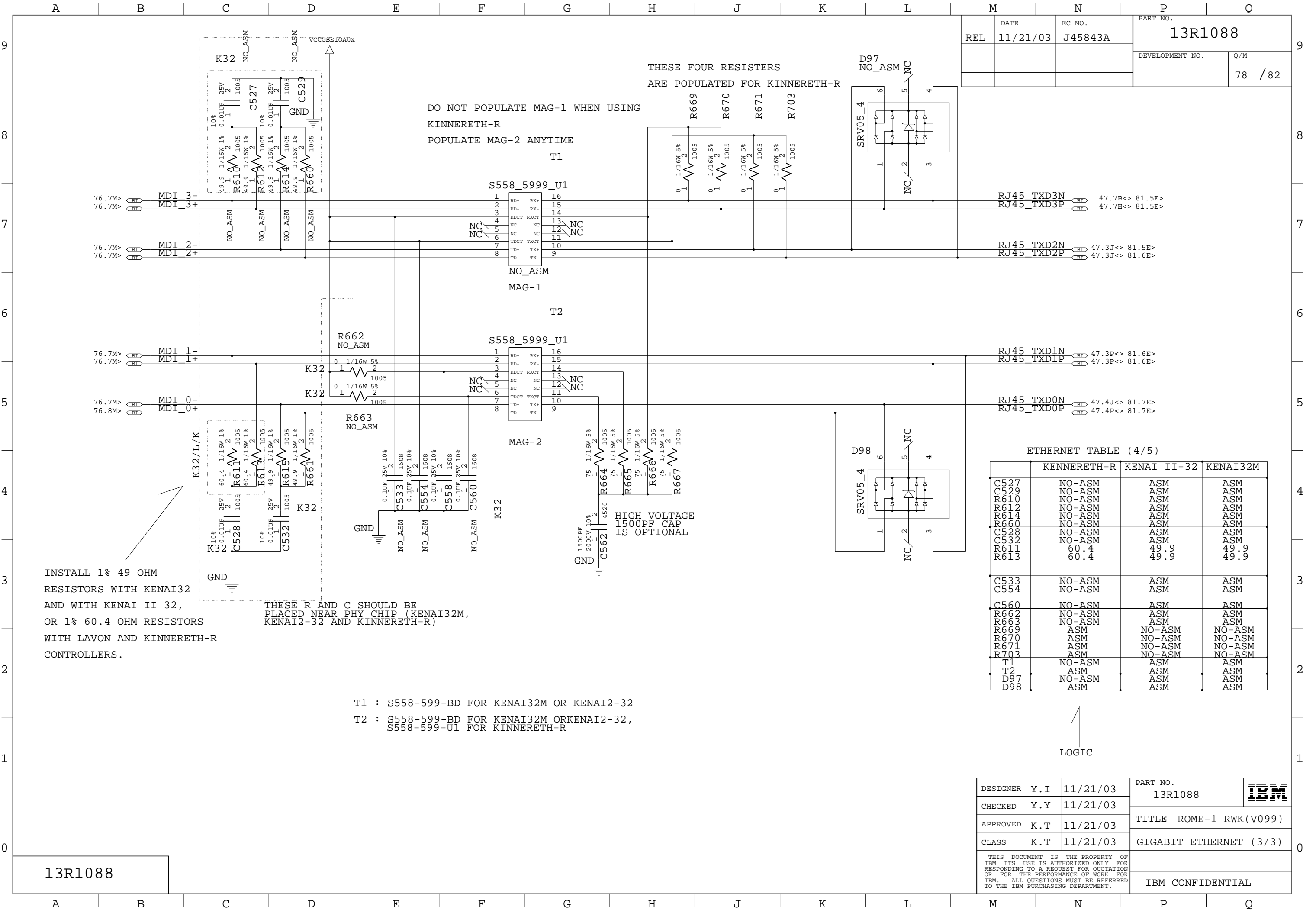


ETHERNET TABLE (3/5)

	KENNERETH-R	KENAI2-32	KENAI32M
R98	NO-ASM	ASM	ASM
R205	NO-ASM	ASM	ASM
R880	NO-ASM	ASM	NO-ASM
R879	ASM	NO-ASM	NO-ASM
R851	ASM	NO-ASM	NO-ASM
R852	ASM	NO-ASM	NO-ASM
C779	NO-ASM	ASM	ASM
C780	NO-ASM	ASM	ASM
C781	NO-ASM	ASM	ASM
C801	NO-ASM	ASM	ASM
C802	NO-ASM	ASM	ASM
C803	NO-ASM	ASM	ASM
C804	NO-ASM	ASM	ASM
C805	NO-ASM	ASM	ASM
R236	ASM	NO-ASM	NO-ASM

DESIGNER	Y.I	11/21/03	PART NO.	13R1088	
CHECKED	Y.Y	11/21/03	TITLE ROME-1 RWK(V099)		
APPROVED	K.T	11/21/03	GIGABIT ETHERNET (2/3)		THIS DOCUMENT IS THE PROPERTY OF IBM. ITS USE IS AUTHORIZED ONLY FOR RESPONDING TO A REQUEST FOR QUOTATION OR FOR THE PERFORMANCE OF WORK FOR IBM. ALL QUESTIONS MUST BE REFERRED TO THE IBM PURCHASING DEPARTMENT.
CLASS	K.T	11/21/03	IBM CONFIDENTIAL		

13R1088



REL	DATE	EC NO.	PART NO.
	11/21/03	J45843A	13R1088
			DEVELOPMENT NO.
			Q/M
			78 / 82

INSTALL 1% 49 OHM RESISTORS WITH KENAI32 AND WITH KENAI II 32, OR 1% 60.4 OHM RESISTORS WITH LAVON AND KINNERETH-R CONTROLLERS.

THESE R AND C SHOULD BE PLACED NEAR PHY CHIP (KENAI32M, KENAI2-32 AND KINNERETH-R)

T1 : S558-599-BD FOR KENAI32M OR KENAI2-32
 T2 : S558-599-BD FOR KENAI32M OR KENAI2-32, S558-599-U1 FOR KINNERETH-R

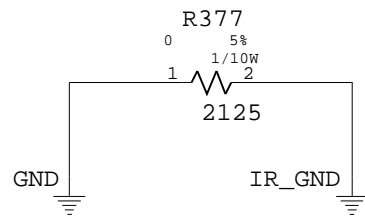
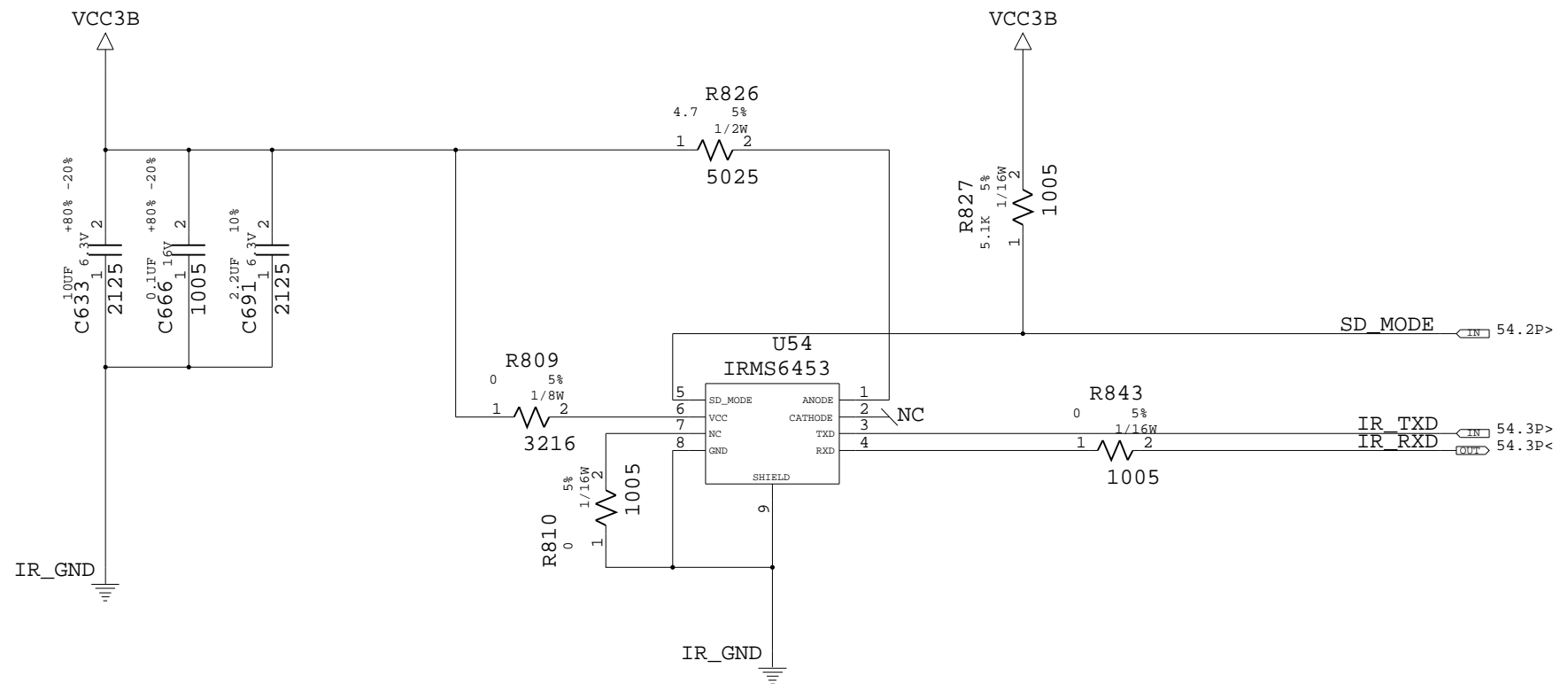
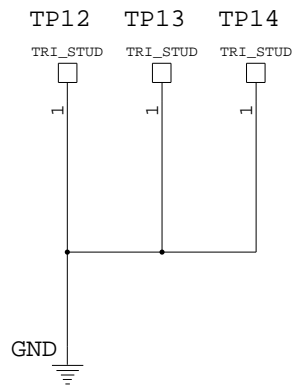
ETHERNET TABLE (4/5)

	KENNERETH-R	KENAI II-32	KENAI32M
C527	NO-ASM	ASM	ASM
C529	NO-ASM	ASM	ASM
R610	NO-ASM	ASM	ASM
R612	NO-ASM	ASM	ASM
R614	NO-ASM	ASM	ASM
R660	NO-ASM	ASM	ASM
C528	NO-ASM	ASM	ASM
C532	NO-ASM	ASM	ASM
R611	60.4	49.9	49.9
R613	60.4	49.9	49.9
C533	NO-ASM	ASM	ASM
C554	NO-ASM	ASM	ASM
C560	NO-ASM	ASM	ASM
R662	NO-ASM	ASM	ASM
R663	NO-ASM	ASM	ASM
R669	ASM	NO-ASM	NO-ASM
R670	ASM	NO-ASM	NO-ASM
R671	ASM	NO-ASM	NO-ASM
R703	ASM	NO-ASM	NO-ASM
T1	NO-ASM	ASM	ASM
T2	ASM	ASM	ASM
D97	NO-ASM	ASM	ASM
D98	ASM	ASM	ASM

13R1088

DESIGNER	Y.I	11/21/03	PART NO.	13R1088	
CHECKED	Y.Y	11/21/03			
APPROVED	K.T	11/21/03	TITLE ROME-1 RWK(V099)		
CLASS	K.T	11/21/03	GIGABIT ETHERNET (3/3)		
THIS DOCUMENT IS THE PROPERTY OF IBM ITS USE IS AUTHORIZED ONLY FOR RESPONDING TO A REQUEST FOR QUOTATION OR FOR THE PERFORMANCE OF WORK FOR IBM. ALL QUESTIONS MUST BE REFERRED TO THE IBM PURCHASING DEPARTMENT.					IBM CONFIDENTIAL

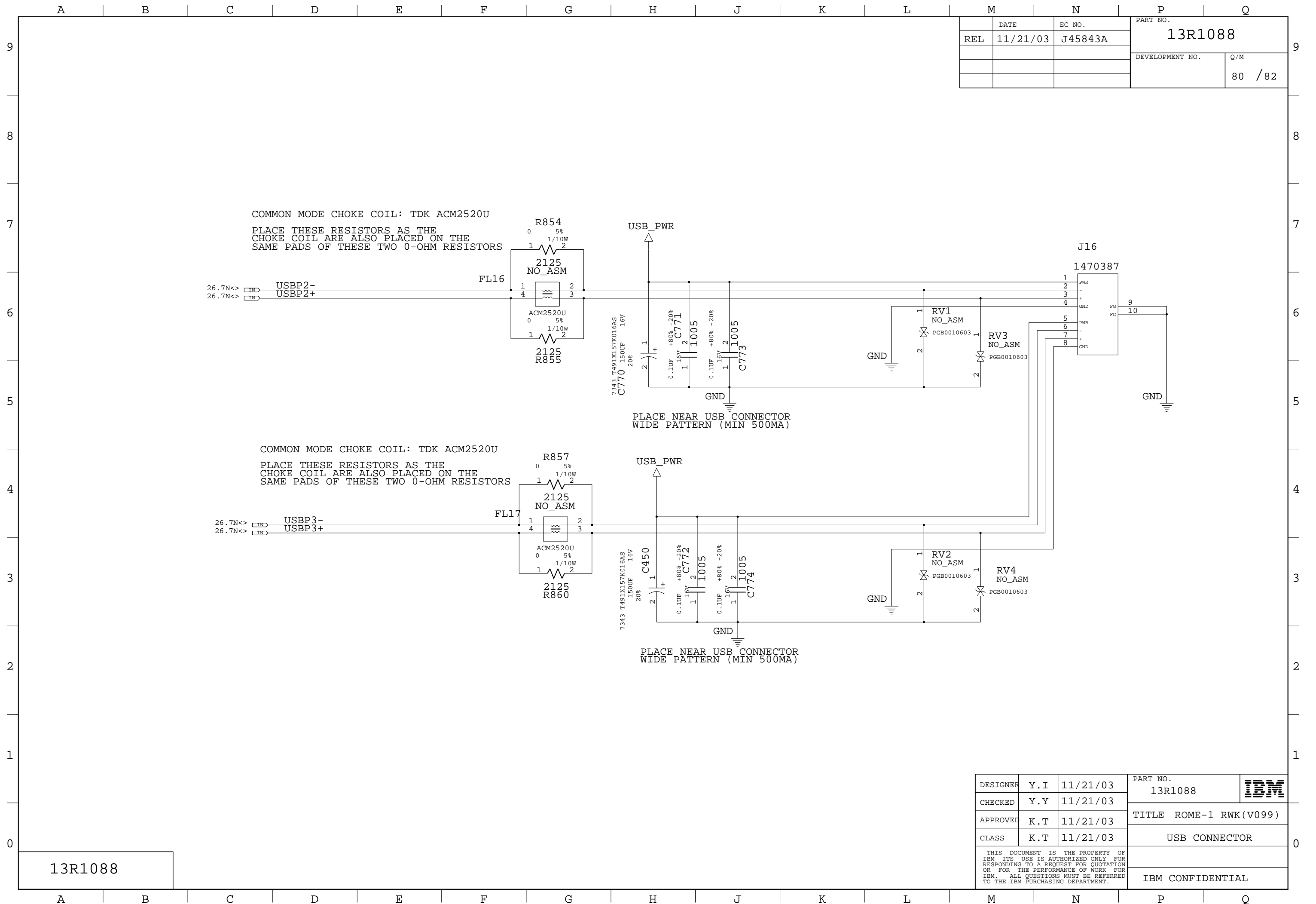
LARGE PTH HOLE



	DATE	EC NO.	PART NO.	
REL	11/21/03	J45843A	13R1088	
			DEVELOPMENT NO.	Q/M
				79 / 82

13R1088

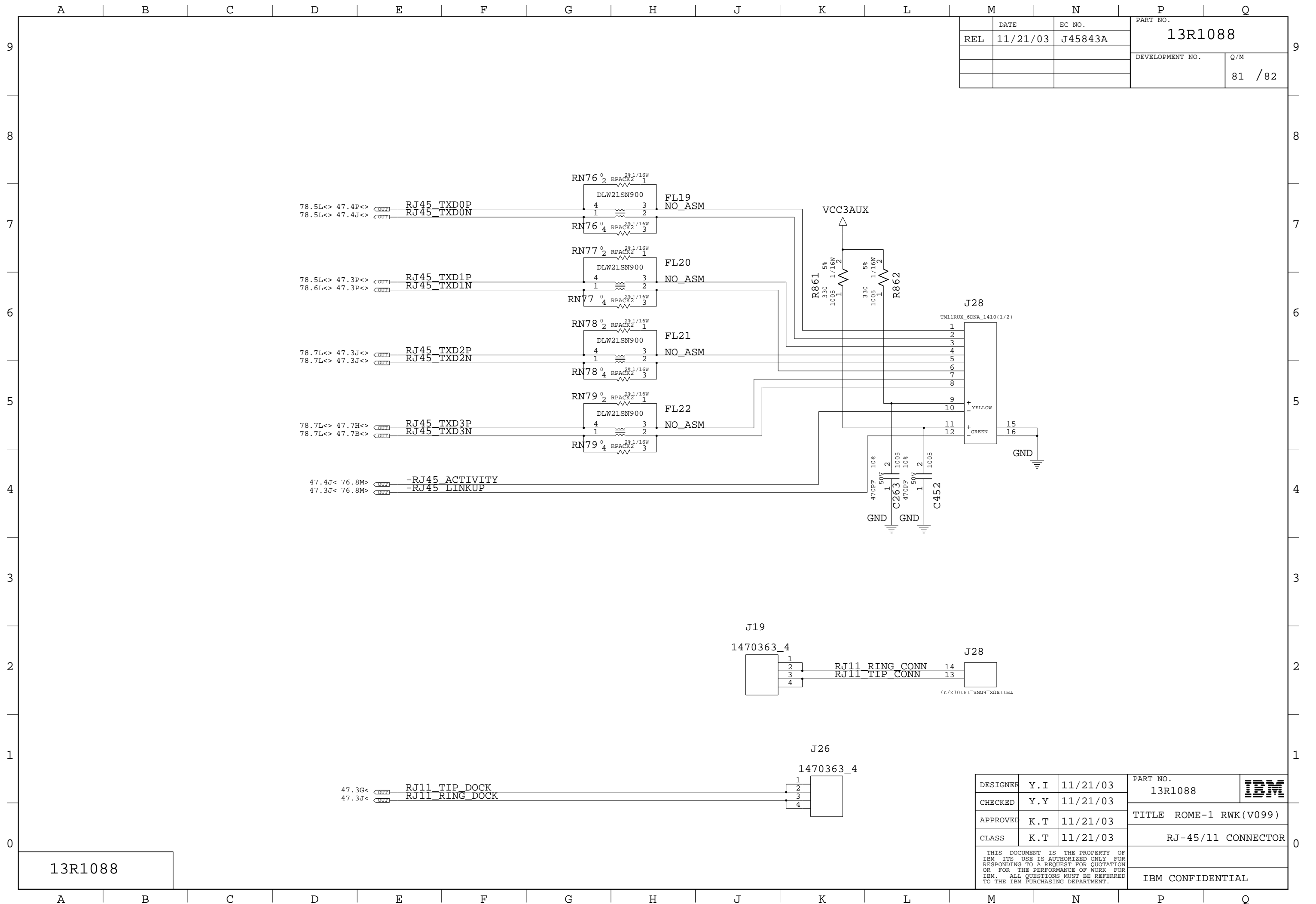
DESIGNER	Y. I	11/21/03	PART NO.	13R1088	IBM
CHECKED	Y. Y	11/21/03	TITLE		
APPROVED	K. T	11/21/03	CLASS	IR MODULE	
THIS DOCUMENT IS THE PROPERTY OF IBM. ITS USE IS AUTHORIZED ONLY FOR RESPONDING TO A REQUEST FOR QUOTATION OR FOR THE PERFORMANCE OF WORK FOR IBM. ALL QUESTIONS MUST BE REFERRED TO THE IBM PURCHASING DEPARTMENT.				IBM CONFIDENTIAL	



	DATE	EC NO.	PART NO.	
REL	11/21/03	J45843A	13R1088	
			DEVELOPMENT NO.	Q/M
				80 / 82

13R1088

DESIGNER	Y.I	11/21/03	PART NO.	13R1088	
CHECKED	Y.Y	11/21/03	TITLE		
APPROVED	K.T	11/21/03	USB CONNECTOR		
CLASS	K.T	11/21/03	THIS DOCUMENT IS THE PROPERTY OF IBM ITS USE IS AUTHORIZED ONLY FOR RESPONDING TO A REQUEST FOR QUOTATION OR FOR THE PERFORMANCE OF WORK FOR IBM. ALL QUESTIONS MUST BE REFERRED TO THE IBM PURCHASING DEPARTMENT.		
			IBM CONFIDENTIAL		

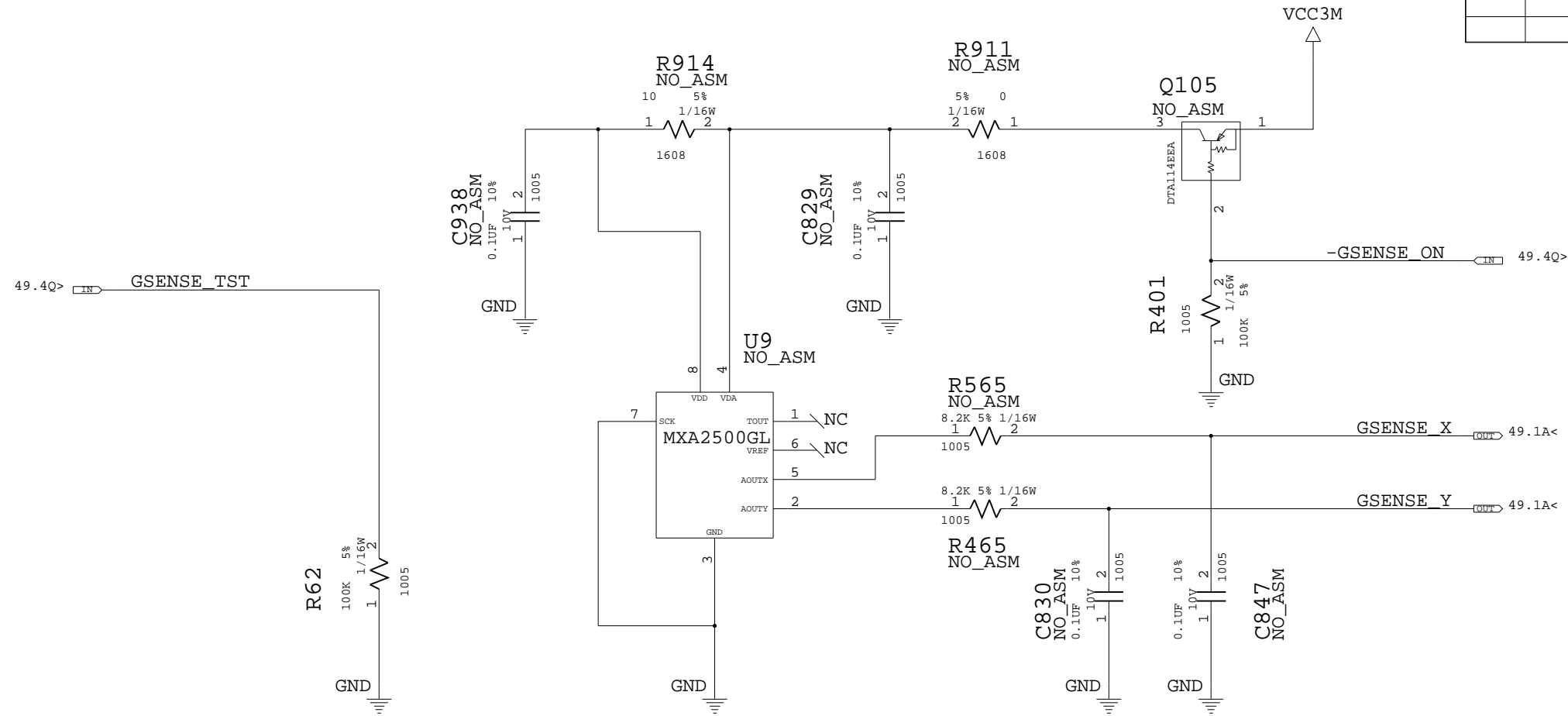


REL	DATE	EC NO.	PART NO.
	11/21/03	J45843A	13R1088
			DEVELOPMENT NO.
			Q/M
			81 / 82

13R1088

DESIGNER	Y. I	11/21/03	PART NO.	13R1088	IBM
CHECKED	Y. Y	11/21/03			
APPROVED	K. T	11/21/03	TITLE ROME-1 RWK(V099)		
CLASS	K. T	11/21/03	RJ-45/11 CONNECTOR		
THIS DOCUMENT IS THE PROPERTY OF IBM. ITS USE IS AUTHORIZED ONLY FOR RESPONDING TO A REQUEST FOR QUOTATION OR FOR THE PERFORMANCE OF WORK FOR IBM. ALL QUESTIONS MUST BE REFERRED TO THE IBM PURCHASING DEPARTMENT.					IBM CONFIDENTIAL

	DATE	EC NO.	PART NO.	
REL	11/21/03	J45843A	13R1088	
			DEVELOPMENT NO.	Q/M
				82 / 82



MEMSIC ACCELEROMETER TABLE (1/1)

	LOGIC	
	W/O ACC	WITH ACC
U9	NO-ASM	ASM
R914	NO-ASM	ASM
R911	NO-ASM	ASM
Q105	NO-ASM	ASM
C938	NO-ASM	ASM
C829	NO-ASM	ASM
R565	NO-ASM	ASM
R465	NO-ASM	ASM
C830	NO-ASM	ASM
C847	NO-ASM	ASM
R401	ASM	NO-ASM

13R1088

DESIGNER	Y. I	11/21/03	PART NO.	13R1088	IBM
CHECKED	Y. Y	11/21/03			
APPROVED	K. T	11/21/03	TITLE ROME-1 RWK(V099)		
CLASS	K. T	11/21/03	G-SENSOR		
THIS DOCUMENT IS THE PROPERTY OF IBM ITS USE IS AUTHORIZED ONLY FOR RESPONDING TO A REQUEST FOR QUOTATION OR FOR THE PERFORMANCE OF WORK FOR IBM. ALL QUESTIONS MUST BE REFERRED TO THE IBM PURCHASING DEPARTMENT.				IBM CONFIDENTIAL	